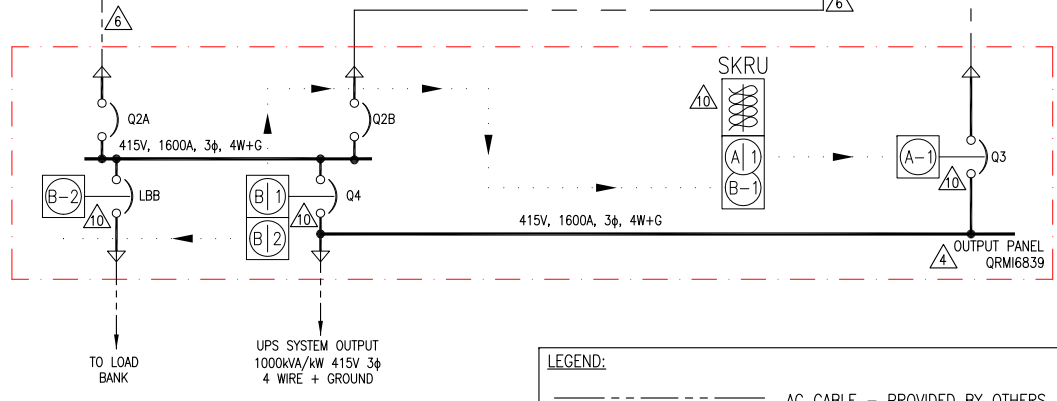
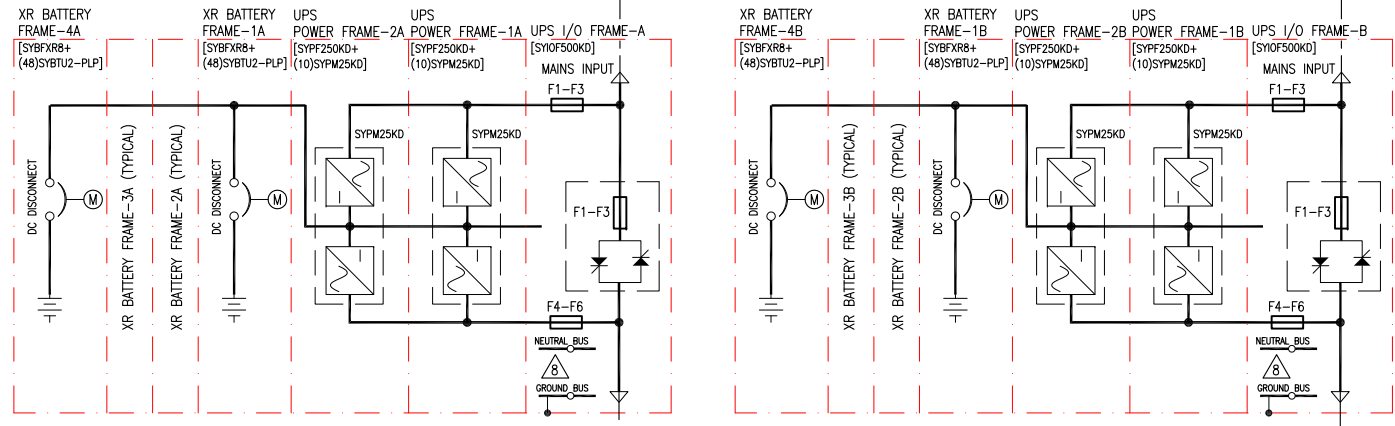
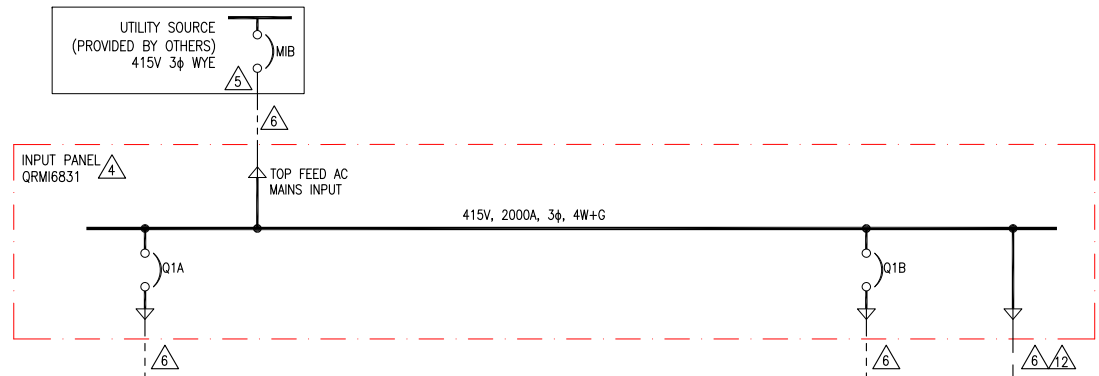


DEVICE RATING

| DEVICE | RATING | TYPE | MAKE | MODEL | ACCESSORIES |
|---------------------------------|---------------------------|-----------------------|--------------------|------------------------|---|
| Q1A, Q1B | 1000A, 600V 100% RATED | MCCB, 3 POLE | Schneider Electric | PJP36100CU33AACBCKSKYP | 3A/3B AUX CONT, BELL ALARM, 24VDC SHUNT TRIP, ML 5.0 TRIP UNIT |
| Q2A, Q2B | 700A, 600V 100% RATED | ICCB, 4 POLE | Schneider Electric | BL1AAV33B9CXBXBXA | 8A/8B AUX CONT, BELL ALARM, 24VDC SHUNT TRIP, ML 5.0 TRIP UNIT |
| Q3 | 1600A, 600V 100% RATED | ICCB, 4 POLE | Schneider Electric | BL1EEV33A9CXFXBXA | 8A/8B AUX CONT, BELL ALARM, 120VAC SHUNT TRIP, ML 5.0 TRIP UNIT |
| Q4 | 1600A, 600V 100% RATED | ICCB, 4 POLE | Schneider Electric | BL1EEV33A9CXBXBXA | 8A/8B AUX CONT, BELL ALARM, 24VDC SHUNT TRIP, ML 5.0 TRIP UNIT |
| LBB | 1600A, 600V 100% RATED | ICCB, 3 POLE | Schneider Electric | WL1EEV33A9CXBXBXA | 8A/8B AUX CONT, BELL ALARM, 24VDC SHUNT TRIP, ML 5.0 TRIP UNIT |
| INVERTER FUSES F1-F3 / F4-F6 | 1250A, 700V | HIGH SPEED FUSE | BUSSMANN | 170M6466 | -- |
| SSW FUSES F1-F3 | 1100A, 700V | HIGH SPEED FUSE | BUSSMANN | 170M5167 | -- |
| DC DISCONNECT | 400A, 600V DC | MCCB, 4 POLE | ABB | T5 | 1 AUX CONT, 24VDC, SHUNT TRIP, ACTUATOR |



- NOTES:
- INSTALLATION SHALL COMPLY WITH ALL APPLICABLE LOCAL AND NATIONAL CODES.
 - PLEASE REFER TO PRODUCT MANUALS FOR ADDITIONAL DETAILS.
 - DRAWING DEPICTS POWER SYSTEM CONNECTIONS AND IS NOT REPRESENTATIVE OF PHYSICAL LAYOUT, PLEASE REFER TO MECHANICAL DRAWINGS FOR PHYSICAL LAYOUT.
 - MAXIMUM RATED SHORT CIRCUIT CURRENT IS 65kAIC, FOR UPS AND INPUT/OUTPUT PANELS.
 - AC UTILITY SOURCE SHALL BE 415VAC, 3φ, SOLIDLY GROUNDING WYE, 4 WIRE+GROUND (CONTACT Schneider Electric IF OTHER). SEE SHEET 4 FOR SITE PLANNING SUBMITTAL DATA.
 - AC CABLING SHALL BE 600V RATED, 4 WIRE+GROUND.
 - CABLE LUGS ARE NOT PROVIDED.
 - THE NEUTRAL TO GROUND SYSTEM BONDING JUMPER PROVIDED BY Schneider Electric SHALL NOT BE INSTALLED FOR 4 WIRE OUTPUT CONFIGURATION. SEE INSTALLATION MANUAL FOR DETAILS.
 - THIS DRAWING SHOWS MINIMUM NUMBER OF XR BATTERY FRAMES PER UPS. MAXIMUM (8) XR BATTERY FRAMES CAN BE BAYED TO EACH UPS. BAYING KIT IS SUPPLIED WITH THIS SOLUTION. XR BATTERY FRAME HAS MOTORIZED BREAKER.
 - KEY INTERLOCKS WITH SKRU, SCHEME 39, BETWEEN Q3 AND Q4, ARE OPTIONAL AND ARE NOT INCLUDED AS STANDARD WITH THE SYSTEM. (SCHEME 39 ADDER IS QCC67185) KEY INTERLOCKS WITH SKRU, SCHEME 29, BETWEEN LBB AND Q4, ARE OPTIONAL AND ARE NOT INCLUDED AS STANDARD WITH THE SYSTEM. (SCHEME 29 ADDER IS QCBA39274) LBB IS OPTIONAL AND IS NOT INCLUDED AS STANDARD WITH THE SYSTEM. (LBB ADDER IS QRM16881)
 - INSTALLATION OF LBB AND KEY INTERLOCKS WITH SKRU IS STRONGLY RECOMMENDED.
 - CABLE LENGTHS FOR STATIC BYPASS INPUT AND OUTPUT SHALL BE SAME SUM TOTAL TO ENSURE CORRECT LOAD SHARING IN STATIC BYPASS OPERATION.
 - CABLE SIZE AND INSTALLATION SHALL COMPLY WITH NEC ART. 240.21. IF NOT, USE CABLES RATED SAME AS THE MIB FEEDER.

1000kVA/kw (500kw 2 MOD CAPACITY) TOP FEED SINGLE MAINS SINGLE INPUT TO UPS 4 WIRE OUTPUT CONFIGURATION

THIS DRAWING AND SPECIFICATIONS HEREIN ARE THE PROPERTY OF SCHNEIDER ELECTRIC AND SHALL NOT BE COPIED, REPRODUCED OR USED IN WHOLE OR IN PART, AS THE BASIS FOR THE MANUFACTURE OR SALE OF ITEMS WITHOUT WRITTEN PERMISSION FROM SCHNEIDER ELECTRIC. THIS DRAWING IS BASED UPON LATEST AVAILABLE INFORMATION AND IS SUBJECT TO CHANGE WITHOUT NOTICE.

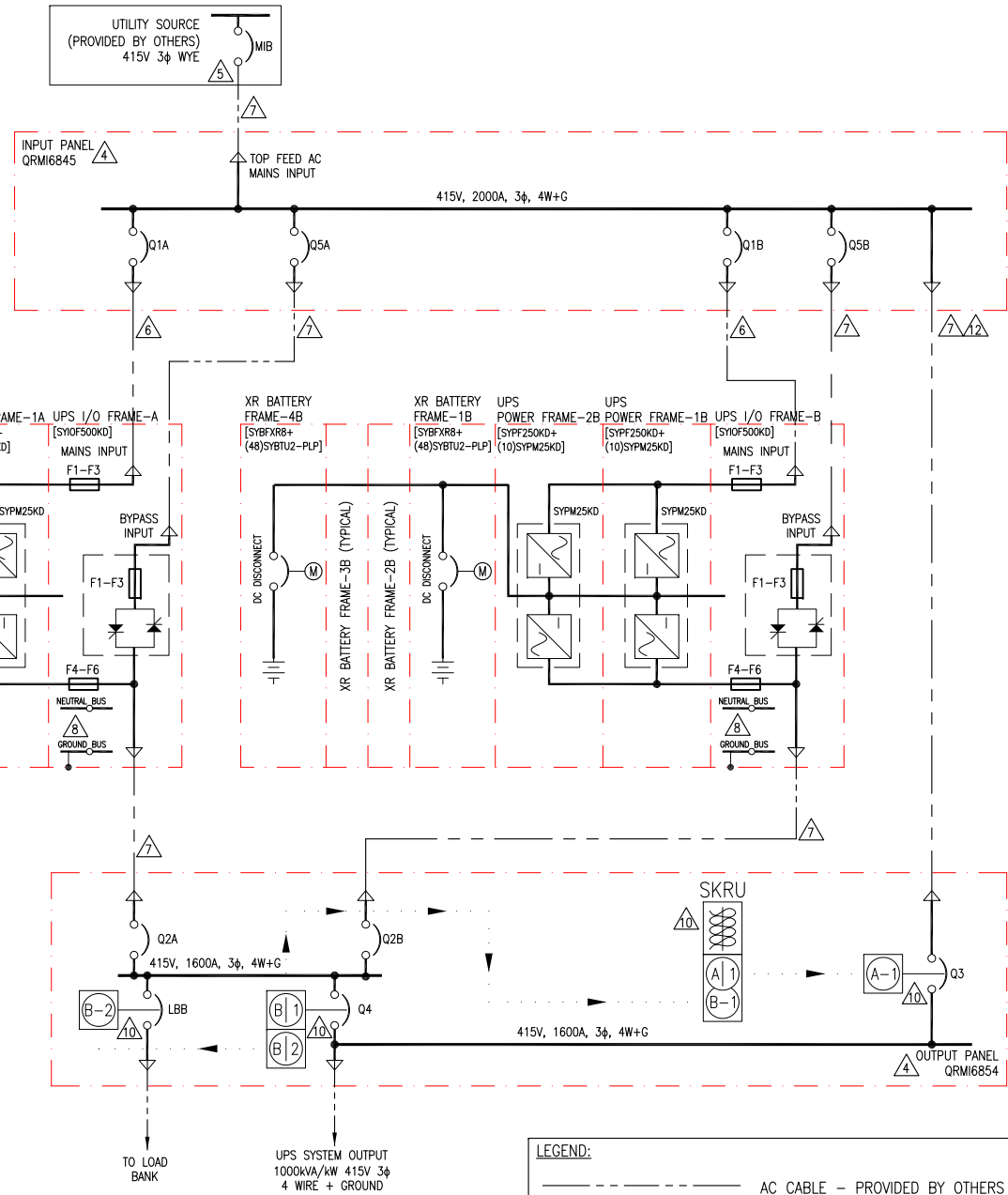


TITLE: SYMMETRA PX
 INPUT: 415V 3φ, SINGLE MAINS, SINGLE INPUT TO UPS
 OUTPUT: 1000kVA/kw 415V 3φ
 500kW 2 MOD N TOP FEED W/LINE-UP BATTERIES
 SYSTEM ONE LINE DIAGRAM

DWG NO: SY500K1000TH1C2-4W-SD REV. 2
 DRAWN: BALMURJAN/V BUSH/R MILLER/S DINHA 02-DEC-14
 ENGINEER: C FLY 02-DEC-14
 APPROVED: B SHERIDAN 02-DEC-14
 PROJECT: SUBMITTAL DRAWINGS SHEET 1 OF 7
 PROJ ANGLE N.A.

DEVICE RATING

| DEVICE | RATING | TYPE | MAKE | MODEL | ACCESSORIES |
|---------------------------------|---------------------------|-----------------|--------------------|----------------------|---|
| Q1A, Q1B | 1000A, 600V 100% RATED | MCCB, 3 POLE | Schneider Electric | PJP36100CU33ACBCSKYP | 3A/3B AUX CONT, BELL ALARM, 24VDC SHUNT TRIP, ML 5.0 TRIP UNIT |
| Q2A, Q2B | 700A, 600V 100% RATED | ICCB, 4 POLE | Schneider Electric | BL1AAV33B9CXBXXXXA | 8A/8B AUX CONT, BELL ALARM, 24VDC SHUNT TRIP, ML 5.0 TRIP UNIT |
| Q3 | 1600A, 600V 100% RATED | ICCB, 4 POLE | Schneider Electric | BL1EEV33A9CXFXXXXA | 8A/8B AUX CONT, BELL ALARM, 120VAC SHUNT TRIP, ML 5.0 TRIP UNIT |
| Q4 | 1600A, 600V 100% RATED | ICCB, 4 POLE | Schneider Electric | BL1EEV33A9CXBXXXXA | 8A/8B AUX CONT, BELL ALARM, 24VDC SHUNT TRIP, ML 5.0 TRIP UNIT |
| Q5A, Q5B | 700A, 600V 100% RATED | MCCB, 3 POLE | Schneider Electric | PJP36080CU33BCBCSKYP | 3A/3B AUX CONT, BELL ALARM, 24VDC SHUNT TRIP, ML 5.0 TRIP UNIT |
| LBB | 1600A, 600V 100% RATED | ICCB, 3 POLE | Schneider Electric | WL1EEV33A9CXBXXXXA | 8A/8B AUX CONT, BELL ALARM, 24VDC SHUNT TRIP, ML 5.0 TRIP UNIT |
| INVERTER FUSES F1-F3 / F4-F6 | 1250A, 700V | HIGH SPEED FUSE | BUSSMANN | 170M6466 | -- |
| SSW FUSES F1-F3 | 1100A, 700V | HIGH SPEED FUSE | BUSSMANN | 170M5167 | -- |
| DC DISCONNECT | 400A, 600V DC | MCCB, 4 POLE | ABB | T5 | 1 AUX CONT, 24VDC, SHUNT TRIP, ACTUATOR |



NOTES:

- INSTALLATION SHALL COMPLY WITH ALL APPLICABLE LOCAL AND NATIONAL CODES.
- PLEASE REFER TO PRODUCT MANUALS FOR ADDITIONAL DETAILS.
- DRAWING DEPICTS POWER SYSTEM CONNECTIONS AND IS NOT REPRESENTATIVE OF PHYSICAL LAYOUT, PLEASE REFER TO MECHANICAL DRAWINGS FOR PHYSICAL LAYOUT.
- MAXIMUM RATED SHORT CIRCUIT CURRENT IS 65kAIC, FOR UPS AND INPUT/OUTPUT PANELS.
- AC UTILITY SOURCE SHALL BE 415VAC, 3φ, SOLIDLY GROUNDED WYE, 4 WIRE+GROUND (CONTACT Schneider Electric IF OTHER). SEE SHEET 4 FOR SITE PLANNING SUBMITTAL DATA.
- AC CABLING SHALL BE 600V RATED, 3 WIRE+GROUND.
- AC CABLING SHALL BE 600V RATED, 4 WIRE+GROUND.
- THE NEUTRAL TO GROUND SYSTEM BONDING JUMPER PROVIDED BY SCHNEIDER ELECTRIC SHALL NOT BE INSTALLED FOR 4 WIRE OUTPUT CONFIGURATION. SEE INSTALLATION MANUAL FOR DETAILS.
- THIS DRAWING SHOWS MINIMUM NUMBER OF XR BATTERY FRAMES PER UPS. MAXIMUM (8) XR BATTERY FRAMES CAN BE BAYED TO EACH UPS. BAYING KIT IS SUPPLIED WITH THIS SOLUTION. XR BATTERY FRAME HAS MOTORIZED BREAKER.
- KEY INTERLOCKS WITH SKRU, SCHEME 39, BETWEEN Q3 AND Q4, ARE OPTIONAL AND ARE NOT INCLUDED AS STANDARD WITH THE SYSTEM. (SCHEME 39 ADDER IS QCC67185) KEY INTERLOCKS WITH SKRU, SCHEME 29, BETWEEN LBB AND Q4, ARE OPTIONAL AND ARE NOT INCLUDED AS STANDARD WITH THE SYSTEM. (SCHEME 29 ADDER IS QCB39274) LBB IS OPTIONAL AND IS NOT INCLUDED AS STANDARD WITH THE SYSTEM. (LBB ADDER IS QRM16889) INSTALLATION OF LBB AND KEY INTERLOCKS WITH SKRU IS STRONGLY RECOMMENDED.
- CABLE LENGTHS FOR STATIC BYPASS INPUT AND OUTPUT SHALL BE SAME SUM TOTAL TO ENSURE CORRECT LOAD SHARING IN STATIC BYPASS OPERATION.
- CABLE SIZE AND INSTALLATION SHALL COMPLY WITH NEC ART. 240.21. IF NOT, USE CABLES RATED SAME AS THE MIB FEEDER.
- CABLE LUGS ARE NOT PROVIDED.

1000kVA/kW (500kW 2 MOD CAPACITY) TOP FEED SINGLE MAINS, DUAL INPUT TO UPS 4 WIRE OUTPUT CONFIGURATION

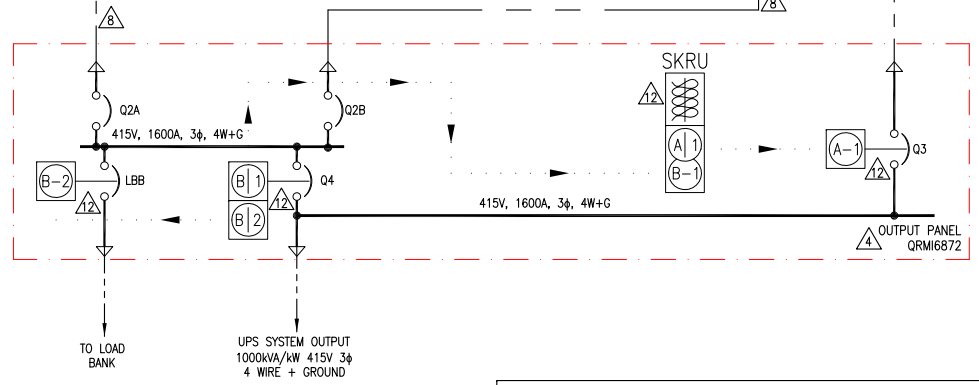
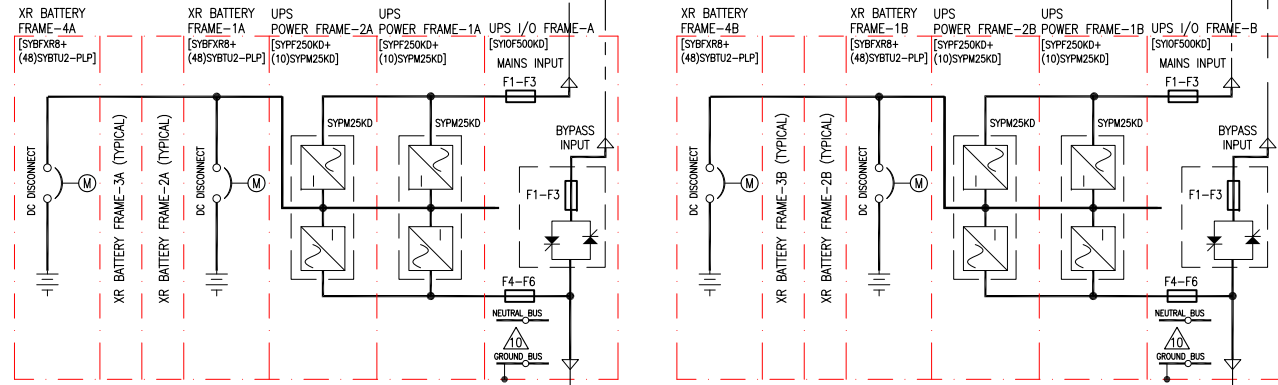
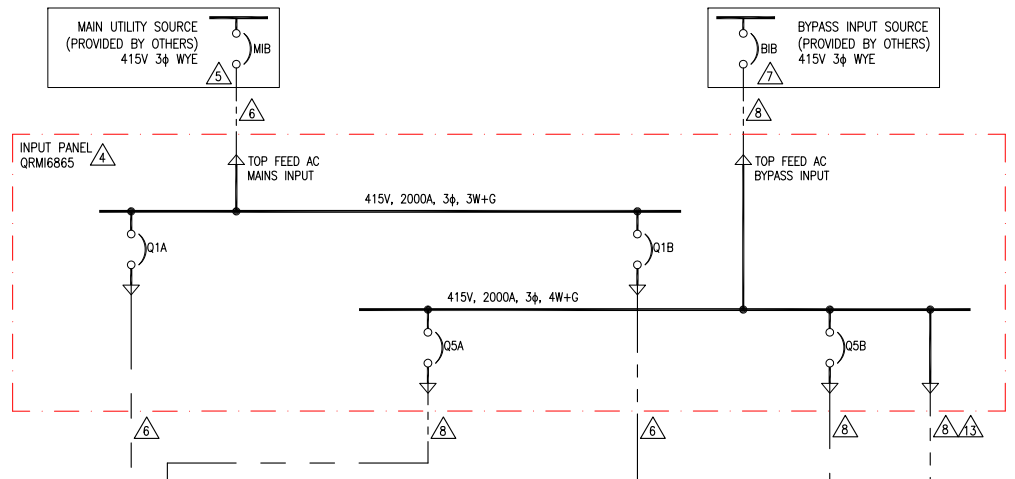
THIS DRAWING AND SPECIFICATIONS HEREIN ARE THE PROPERTY OF SCHNEIDER ELECTRIC AND SHALL NOT BE COPIED, REPRODUCED OR USED IN WHOLE OR IN PART, AS THE BASIS FOR THE MANUFACTURE OR SALE OF ITEMS WITHOUT WRITTEN PERMISSION FROM SCHNEIDER ELECTRIC. THIS DRAWING IS BASED UPON LATEST AVAILABLE INFORMATION AND IS SUBJECT TO CHANGE WITHOUT NOTICE.



| | | | | | |
|----------|---|---------|-----------------------|-----------|-----------------|
| TITLE: | SYMMETRA PX INPUT: 415V 3φ, SINGLE MAINS, DUAL INPUT TO UPS OUTPUT: 1000kVA/kw 415V 3φ 500kW 2 MOD N TOP FEED W/LINE-UP BATTERIES SYSTEM ONE LINE DIAGRAM | DWG NO: | SY500K1000TH1C2-4W-SD | REV. | 2 |
| PROJECT: | SUBMITTAL DRAWINGS | SHEET | 2 OF 7 | APPROVED: | C B SHERIDAN |
| | | | | ENGINEER: | F LY |
| | | | | | 02-DEC-14 |
| | | | | | 02-DEC-14 |
| | | | | | PROJ ANGLE N.A. |

LEGEND:
----- AC CABLE - PROVIDED BY OTHERS

| DEVICE RATING | | | | | |
|---------------------------------|---------------------------|--------------------|--------------------|-----------------------|---|
| DEVICE | RATING | TYPE | MAKE | MODEL | ACCESSORIES |
| Q1A, Q1B | 1000A, 600V 100% RATED | MCCB, 3 POLE | Schneider Electric | PJP36100CU33AACBCSKYP | 3A/3B AUX CONT, BELL ALARM, 24VDC SHUNT TRIP, ML 5.0 TRIP UNIT |
| Q2A, Q2B | 700A, 600V 100% RATED | ICCB, 4 POLE | Schneider Electric | BL1AAV33B9CXBXXXXA | 8A/8B AUX CONT, BELL ALARM, 24VDC SHUNT TRIP, ML 5.0 TRIP UNIT |
| Q3 | 1600A, 600V 100% RATED | ICCB, 4 POLE | Schneider Electric | BL1EEV33A9CXFXXXXA | 8A/8B AUX CONT, BELL ALARM, 120VAC SHUNT TRIP, ML 5.0 TRIP UNIT |
| Q4 | 1600A, 600V 100% RATED | ICCB, 4 POLE | Schneider Electric | BL1EEV33A9CXBXXXXA | 8A/8B AUX CONT, BELL ALARM, 24VDC SHUNT TRIP, ML 5.0 TRIP UNIT |
| Q5A, Q5B | 700A, 600V 100% RATED | MCCB, 3 POLE | Schneider Electric | PJP36080CU33BCBCSKYP | 3A/3B AUX CONT, BELL ALARM, 24VDC SHUNT TRIP, ML 5.0 TRIP UNIT |
| LBB | 1600A, 600V 100% RATED | ICCB, 3 POLE | Schneider Electric | WL1EEV33A9CXBXXXXA | 8A/8B AUX CONT, BELL ALARM, 24VDC SHUNT TRIP, ML 5.0 TRIP UNIT |
| INVERTER FUSES F1-F3 / F4-F6 | 1250A, 700V | HIGH SPEED FUSE | BUSSMANN | 170M6466 | -- |
| SSW FUSES F1-F3 | 1100A, 700V | HIGH SPEED FUSE | BUSSMANN | 170M5167 | -- |
| DC DISCONNECT | 400A, 600V DC | MCCB, 4 POLE | ABB | T5 | 1 AUX CONT, 24VDC, SHUNT TRIP, ACTUATOR |



- NOTES:**
- INSTALLATION SHALL COMPLY WITH ALL APPLICABLE LOCAL AND NATIONAL CODES.
 - PLEASE REFER TO PRODUCT MANUALS FOR ADDITIONAL DETAILS.
 - DRAWING DEPICTS POWER SYSTEM CONNECTIONS AND IS NOT REPRESENTATIVE OF PHYSICAL LAYOUT, PLEASE REFER TO MECHANICAL DRAWINGS FOR PHYSICAL LAYOUT.
 - MAXIMUM RATED SHORT CIRCUIT CURRENT IS 65KAIC, FOR UPS AND INPUT/OUTPUT PANELS.
 - AC MAIN UTILITY SOURCE SHALL BE 415VAC, 3φ, SOLIDLY GROUNDED WYE, 3 WIRE+GROUND (CONTACT Schneider Electric IF OTHER). SEE SHEET 4 FOR SITE PLANNING SUBMITTAL DATA.
 - AC CABLING SHALL BE 600V RATED, 3 WIRE+GROUND.
 - AC BYPASS UTILITY SOURCE SHALL BE 415VAC, 3φ, SOLIDLY GROUNDED WYE, 4 WIRE+GROUND (CONTACT Schneider Electric IF OTHER). SEE SHEET 4 FOR SITE PLANNING SUBMITTAL DATA.
 - AC CABLING SHALL BE 600V RATED, 4 WIRE+GROUND.
 - AC MAINS AND BYPASS COMING FROM SAME SOURCE SHALL BE 4 WIRE+GROUND.
 - THE NEUTRAL TO GROUND SYSTEM BONDING JUMPER PROVIDED BY Schneider Electric SHALL NOT BE INSTALLED FOR 4 WIRE OUTPUT CONFIGURATION. SEE INSTALLATION MANUAL FOR DETAILS.
 - THIS DRAWING SHOWS MINIMUM NUMBER OF XR BATTERY FRAMES PER UPS. MAXIMUM (8) XR BATTERY FRAMES CAN BE BAYED TO EACH UPS. BAYING KIT IS SUPPLIED WITH THIS SOLUTION. XR BATTERY FRAME HAS MOTORIZED BREAKER.
 - KEY INTERLOCKS WITH SKRU, SCHEME 39, BETWEEN Q3 AND Q4, ARE OPTIONAL AND ARE NOT INCLUDED AS STANDARD WITH THE SYSTEM. (SCHEME 39 ADDER IS QCC67185) KEY INTERLOCKS WITH SKRU, SCHEME 29, BETWEEN LBB AND Q4, ARE OPTIONAL AND ARE NOT INCLUDED AS STANDARD WITH THE SYSTEM. (SCHEME 29 ADDER IS QCBA39274) LBB IS OPTIONAL AND IS NOT INCLUDED AS STANDARD WITH THE SYSTEM. (LBB ADDER IS QRM16889) INSTALLATION OF LBB AND KEY INTERLOCKS WITH SKRU IS STRONGLY RECOMMENDED.
 - CABLE SIZE AND INSTALLATION SHALL COMPLY WITH NEC ART. 240.21. IF NOT, USE CABLES RATED SAME AS THE MIB FEEDER.
 - CABLE LENGTHS FOR STATIC BYPASS INPUT AND OUTPUT SHALL BE SAME SUM TOTAL TO ENSURE CORRECT LOAD SHARING IN STATIC BYPASS OPERATION.
 - CABLE LUGS ARE NOT PROVIDED.

LEGEND:
 _____ AC CABLE - PROVIDED BY OTHERS

1000kVA/kW (500kW 2 MOD CAPACITY) TOP FEED DUAL MAINS, DUAL INPUT TO UPS 4 WIRE OUTPUT CONFIGURATION

THIS DRAWING AND SPECIFICATIONS HEREIN ARE THE PROPERTY OF SCHNEIDER ELECTRIC AND SHALL NOT BE COPIED, REPRODUCED OR USED IN WHOLE OR IN PART, AS THE BASIS FOR THE MANUFACTURE OR SALE OF ITEMS WITHOUT WRITTEN PERMISSION FROM SCHNEIDER ELECTRIC. THIS DRAWING IS BASED UPON LATEST AVAILABLE INFORMATION AND IS SUBJECT TO CHANGE WITHOUT NOTICE.

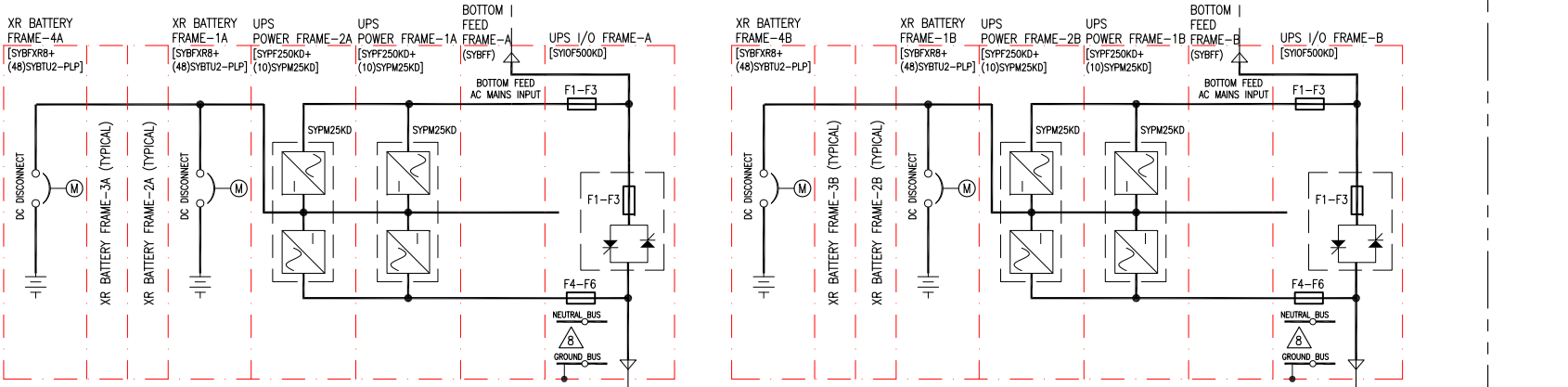
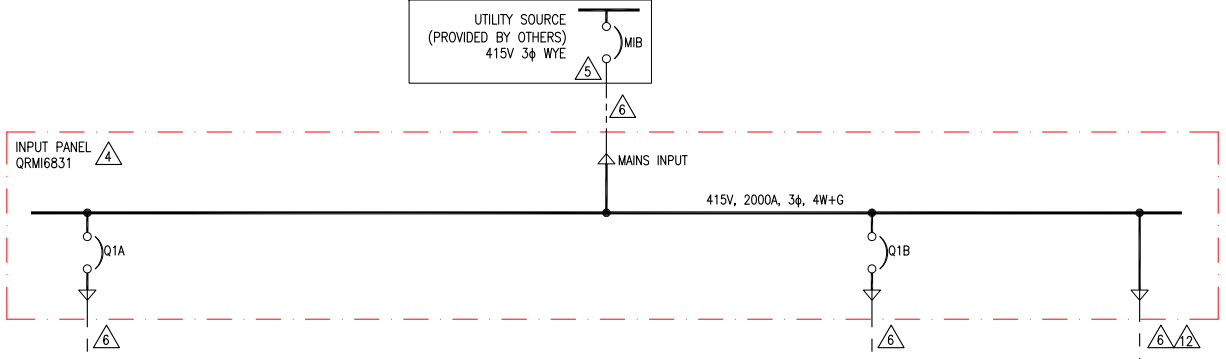


TITLE: SYMMETRA PX
 INPUT: 415V 3φ, DUAL MAINS, DUAL INPUT TO UPS
 OUTPUT: 1000kVA/kW 415V 3φ
 500kW 2 MOD N TOP FEED W/LINE-UP BATTERIES
 SYSTEM ONE LINE DIAGRAM

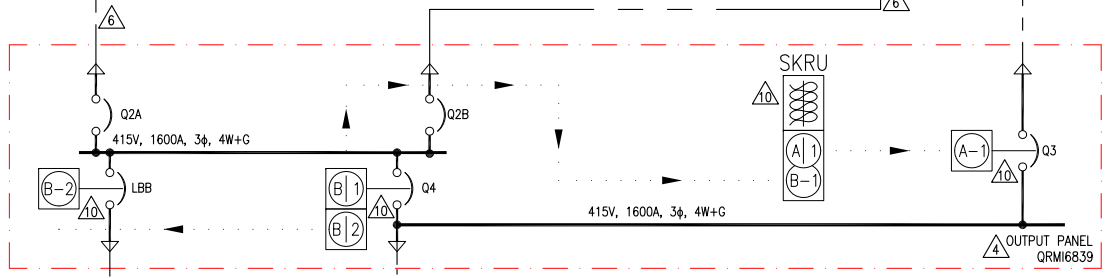
DWG NO: SY500K1000TH2C2-4W-SD
ENGINEER: C FLY
APPROVED: B SHERIDAN

REV: 2
DATE: 02-DEC-14
PROJECT: SUBMITTAL DRAWINGS
SHEET: 3 OF 7

| DEVICE RATING | | | | | |
|---------------------------------|---------------------------|-----------------------|--------------------|-----------------------|---|
| DEVICE | RATING | TYPE | MAKE | MODEL | ACCESSORIES |
| Q1A, Q1B | 1000A, 600V 100% RATED | MCCB, 3 POLE | Schneider Electric | PJP36100CU33AACBCSKYP | 3A/3B AUX CONT, BELL ALARM, 24VDC SHUNT TRIP, ML 5.0 TRIP UNIT |
| Q2A, Q2B | 700A, 600V 100% RATED | ICCB, 4 POLE | Schneider Electric | BL1AAV33B9CXBX000A | 8A/8B AUX CONT, BELL ALARM, 24VDC SHUNT TRIP, ML 5.0 TRIP UNIT |
| Q3 | 1600A, 600V 100% RATED | ICCB, 4 POLE | Schneider Electric | BL1EEV33A9CXFX000A | 8A/8B AUX CONT, BELL ALARM, 120VAC SHUNT TRIP, ML 5.0 TRIP UNIT |
| Q4 | 1600A, 600V 100% RATED | ICCB, 4 POLE | Schneider Electric | BL1EEV33A9CXBX000A | 8A/8B AUX CONT, BELL ALARM, 24VDC SHUNT TRIP, ML 5.0 TRIP UNIT |
| LBB | 1600A, 600V 100% RATED | ICCB, 3 POLE | Schneider Electric | WL1EEV33A9CXBX000A | 8A/8B AUX CONT, BELL ALARM, 24VDC SHUNT TRIP, ML 5.0 TRIP UNIT |
| INVERTER FUSES F1-F3 / F4-F6 | 1250A, 700V | HIGH SPEED FUSE | BUSSMANN | 170M6466 | -- |
| SSW FUSES F1-F3 | 1100A, 700V | HIGH SPEED FUSE | BUSSMANN | 170M5167 | -- |
| DC DISCONNECT | 400A, 600V DC | MCCB, 4 POLE | ABB | T5 | 1 AUX CONT, 24VDC, SHUNT TRIP, ACTUATOR |



- NOTES:**
- INSTALLATION SHALL COMPLY WITH ALL APPLICABLE LOCAL AND NATIONAL CODES.
 - PLEASE REFER TO PRODUCT MANUALS FOR ADDITIONAL DETAILS.
 - DRAWING DEPICTS POWER SYSTEM CONNECTIONS AND IS NOT REPRESENTATIVE OF PHYSICAL LAYOUT, PLEASE REFER TO MECHANICAL DRAWINGS FOR PHYSICAL LAYOUT.
 - MAXIMUM RATED SHORT CIRCUIT CURRENT IS 65kAIC, FOR UPS AND INPUT/OUTPUT PANELS.
 - AC UTILITY SOURCE SHALL BE 415VAC, 3φ, SOLIDLY GROUNDING WYE, 4 WIRE+GROUND (CONTACT Schneider Electric IF OTHER). SEE SHEET 4 FOR SITE PLANNING SUBMITTAL DATA.
 - AC CABLING SHALL BE 600V RATED, 4 WIRE+GROUND.
 - CABLE LUGS ARE NOT PROVIDED.
 - THE NEUTRAL TO GROUND SYSTEM BONDING JUMPER PROVIDED BY Schneider Electric SHALL NOT BE INSTALLED FOR 4 WIRE OUTPUT CONFIGURATION. SEE INSTALLATION MANUAL FOR DETAILS.
 - THIS DRAWING SHOWS MINIMUM NUMBER OF XR BATTERY FRAMES PER UPS. MAXIMUM (8) XR BATTERY FRAMES CAN BE BAYED TO EACH UPS. BAYING KIT IS SUPPLIED WITH THIS SOLUTION. XR BATTERY FRAME HAS MOTORIZED BREAKER.
 - KEY INTERLOCKS WITH SKRU, SCHEME 39, BETWEEN Q3 AND Q4, ARE OPTIONAL AND ARE NOT INCLUDED AS STANDARD WITH THE SYSTEM. (SCHEME 39 ADDER IS QCC67185) KEY INTERLOCKS WITH SKRU, SCHEME 29, BETWEEN LBB AND Q4, ARE OPTIONAL AND ARE NOT INCLUDED AS STANDARD WITH THE SYSTEM. (SCHEME 29 ADDER IS QCBA39274) LBB IS OPTIONAL AND IS NOT INCLUDED AS STANDARD WITH THE SYSTEM. (LBB ADDER IS QRM16881)
 - INSTALLATION OF LBB AND KEY INTERLOCKS WITH SKRU IS STRONGLY RECOMMENDED.
 - CABLE LENGTHS FOR STATIC BYPASS INPUT AND OUTPUT SHALL BE SAME SUM TOTAL TO ENSURE CORRECT LOAD SHARING IN STATIC BYPASS OPERATION.
 - CABLE SIZE AND INSTALLATION SHALL COMPLY WITH NEC ART. 240.21. IF NOT, USE CABLES RATED SAME AS THE MIB FEEDER.



LEGEND:
 - - - - - AC CABLE - PROVIDED BY OTHERS

1000kVA/kW (500kW 2 MOD CAPACITY) BOTTOM FEED SINGLE MAINS SINGLE INPUT TO UPS 4 WIRE OUTPUT CONFIGURATION

THIS DRAWING AND SPECIFICATIONS HEREIN ARE THE PROPERTY OF SCHNEIDER ELECTRIC AND SHALL NOT BE COPIED, REPRODUCED OR USED IN WHOLE OR IN PART, AS THE BASIS FOR THE MANUFACTURE OR SALE OF ITEMS WITHOUT WRITTEN PERMISSION FROM SCHNEIDER ELECTRIC. THIS DRAWING IS BASED UPON LATEST AVAILABLE INFORMATION AND IS SUBJECT TO CHANGE WITHOUT NOTICE.

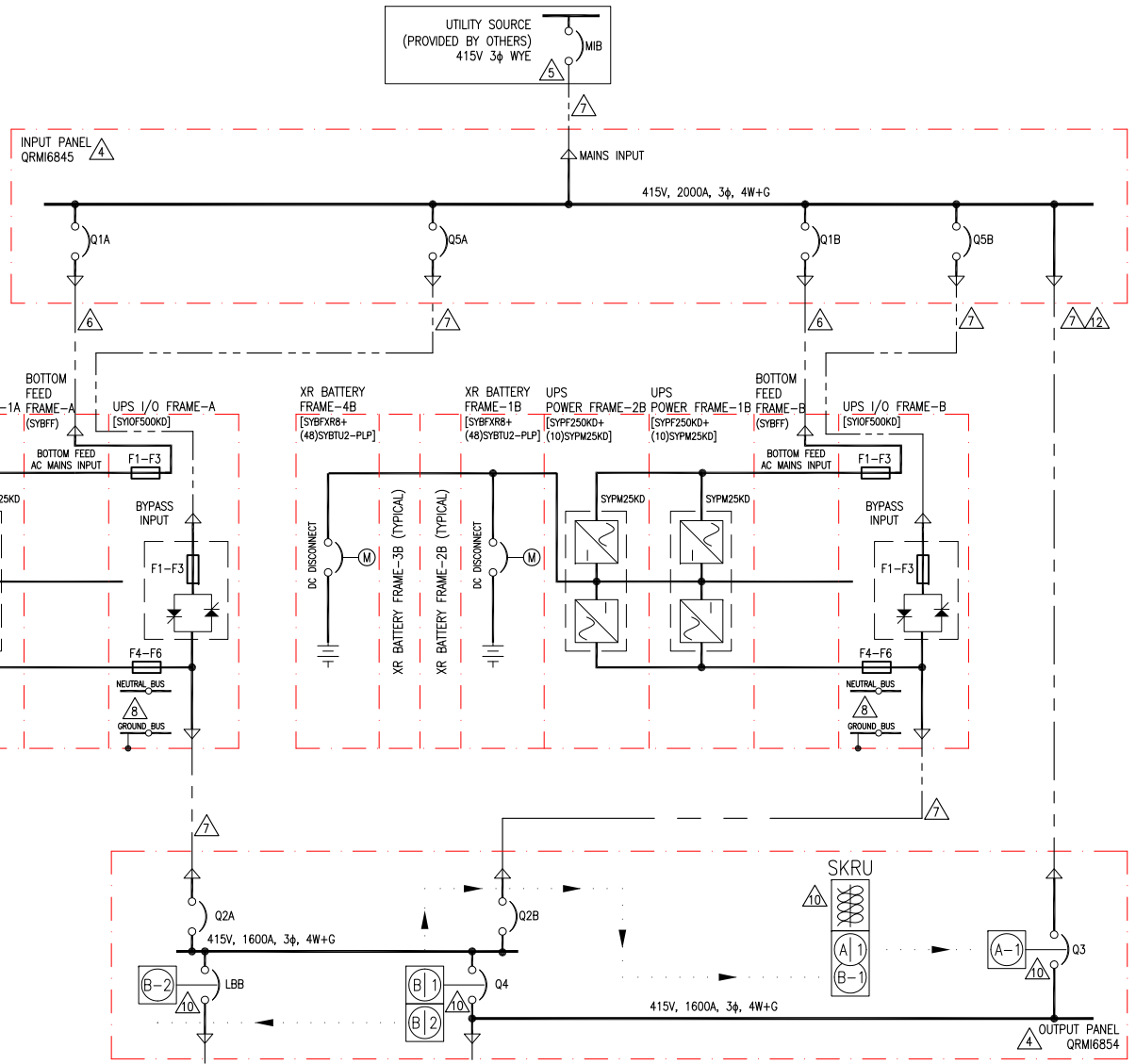


TITLE: SYMMETRA PX
 INPUT: 415V 3φ, SINGLE MAINS, SINGLE INPUT TO UPS
 OUTPUT: 1000kVA/kW 415V 3φ
 500kW 2 MOD N BOTTOM FEED W/LINE-UP BATTERIES
 SYSTEM ONE LINE DIAGRAM

DWG NO: SY500K1000BH1C2-4W-SD **REV.** 2
DRAWN: BALAMURUGAN/S CUNHA 02-DEC-14
ENGINEER: C FLYAN 02-DEC-14
APPROVED: B SHERIDAN 02-DEC-14
PROJECT: SUBMITTAL DRAWINGS **SHEET 4 OF 7**
PROJ ANGLE: N.A.

DEVICE RATING

| DEVICE | RATING | TYPE | MAKE | MODEL | ACCESSORIES |
|---------------------------------|---------------------------|-----------------|--------------------|----------------------|---|
| Q1A, Q1B | 1000A, 600V 100% RATED | MCCB, 3 POLE | Schneider Electric | PJP36100CU33ACBCSKYP | 3A/3B AUX CONT, BELL ALARM, 24VDC SHUNT TRIP, ML 5.0 TRIP UNIT |
| Q2A, Q2B | 700A, 600V 100% RATED | ICCB, 4 POLE | Schneider Electric | BL1AAV33B9CXBXBXA | 8A/8B AUX CONT, BELL ALARM, 24VDC SHUNT TRIP, ML 5.0 TRIP UNIT |
| Q3 | 1600A, 600V 100% RATED | ICCB, 4 POLE | Schneider Electric | BL1EEV33A9CXFXBXA | 8A/8B AUX CONT, BELL ALARM, 120VAC SHUNT TRIP, ML 5.0 TRIP UNIT |
| Q4 | 1600A, 600V 100% RATED | ICCB, 4 POLE | Schneider Electric | BL1EEV33A9CXBXBXA | 8A/8B AUX CONT, BELL ALARM, 24VDC SHUNT TRIP, ML 5.0 TRIP UNIT |
| Q5A, Q5B | 700A, 600V 100% RATED | MCCB, 3 POLE | Schneider Electric | PJP36080CU33BCBCSKYP | 3A/3B AUX CONT, BELL ALARM, 24VDC SHUNT TRIP, ML 5.0 TRIP UNIT |
| LBB | 1600A, 600V 100% RATED | ICCB, 3 POLE | Schneider Electric | WL1EEV33A9CXBXBXA | 8A/8B AUX CONT, BELL ALARM, 24VDC SHUNT TRIP, ML 5.0 TRIP UNIT |
| INVERTER FUSES F1-F3 / F4-F6 | 1250A, 700V | HIGH SPEED FUSE | BUSSMANN | 170M6466 | -- |
| SSW FUSES F1-F3 | 1100A, 700V | HIGH SPEED FUSE | BUSSMANN | 170M5167 | -- |
| DC DISCONNECT | 400A, 600V DC | MCCB, 4 POLE | ABB | T5 | 1 AUX CONT, 24VDC, SHUNT TRIP, ACTUATOR |



NOTES:

- INSTALLATION SHALL COMPLY WITH ALL APPLICABLE LOCAL AND NATIONAL CODES.
- PLEASE REFER TO PRODUCT MANUALS FOR ADDITIONAL DETAILS.
- DRAWING DEPICTS POWER SYSTEM CONNECTIONS AND IS NOT REPRESENTATIVE OF PHYSICAL LAYOUT, PLEASE REFER TO MECHANICAL DRAWINGS FOR PHYSICAL LAYOUT.
- MAXIMUM RATED SHORT CIRCUIT CURRENT IS 65kAIC, FOR UPS AND INPUT/OUTPUT PANELS.
- AC UTILITY SOURCE SHALL BE 415VAC, 3φ, SOLIDLY GROUNDED WYE, 4 WIRE+GROUND (CONTACT Schneider Electric IF OTHER). SEE SHEET 4 FOR SITE PLANNING SUBMITTAL DATA.
- AC CABLING SHALL BE 600V RATED, 3 WIRE+GROUND.
- AC CABLING SHALL BE 600V RATED, 4 WIRE+GROUND.
- THE NEUTRAL TO GROUND SYSTEM BONDING JUMPER PROVIDED BY SCHNEIDER ELECTRIC SHALL NOT BE INSTALLED FOR 4 WIRE OUTPUT CONFIGURATION. SEE INSTALLATION MANUAL FOR DETAILS.
- THIS DRAWING SHOWS MINIMUM NUMBER OF XR BATTERY FRAMES PER UPS. MAXIMUM (8) XR BATTERY FRAMES CAN BE BAYED TO EACH UPS. BAYING KIT IS SUPPLIED WITH THIS SOLUTION. XR BATTERY FRAME HAS MOTORIZED BREAKER.
- KEY INTERLOCKS WITH SKRU, SCHEME 39, BETWEEN Q3 AND Q4, ARE OPTIONAL AND ARE NOT INCLUDED AS STANDARD WITH THE SYSTEM. (SCHEME 39 ADDER IS QCC67185) KEY INTERLOCKS WITH SKRU, SCHEME 29, BETWEEN LBB AND Q4, ARE OPTIONAL AND ARE NOT INCLUDED AS STANDARD WITH THE SYSTEM. (SCHEME 29 ADDER IS QCBA39274) LBB IS OPTIONAL AND IS NOT INCLUDED AS STANDARD WITH THE SYSTEM. (LBB ADDER IS QRM16889) INSTALLATION OF LBB AND KEY INTERLOCKS WITH SKRU IS STRONGLY RECOMMENDED.
- CABLE LENGTHS FOR STATIC BYPASS INPUT AND OUTPUT SHALL BE SAME SUM TOTAL TO ENSURE CORRECT LOAD SHARING IN STATIC BYPASS OPERATION.
- CABLE SIZE AND INSTALLATION SHALL COMPLY WITH NEC ART. 240.21. IF NOT, USE CABLES RATED SAME AS THE MIB FEEDER.
- CABLE LUGS ARE NOT PROVIDED.

LEGEND:

----- AC CABLE - PROVIDED BY OTHERS

1000kVA/kW (500kW 2 MOD CAPACITY) BOTTOM FEED SINGLE MAINS, DUAL INPUT TO UPS 4 WIRE OUTPUT CONFIGURATION

THIS DRAWING AND SPECIFICATIONS HEREIN ARE THE PROPERTY OF SCHNEIDER ELECTRIC AND SHALL NOT BE COPIED, REPRODUCED OR USED IN WHOLE OR IN PART, AS THE BASIS FOR THE MANUFACTURE OR SALE OF ITEMS WITHOUT WRITTEN PERMISSION FROM SCHNEIDER ELECTRIC. THIS DRAWING IS BASED UPON LATEST AVAILABLE INFORMATION AND IS SUBJECT TO CHANGE WITHOUT NOTICE.



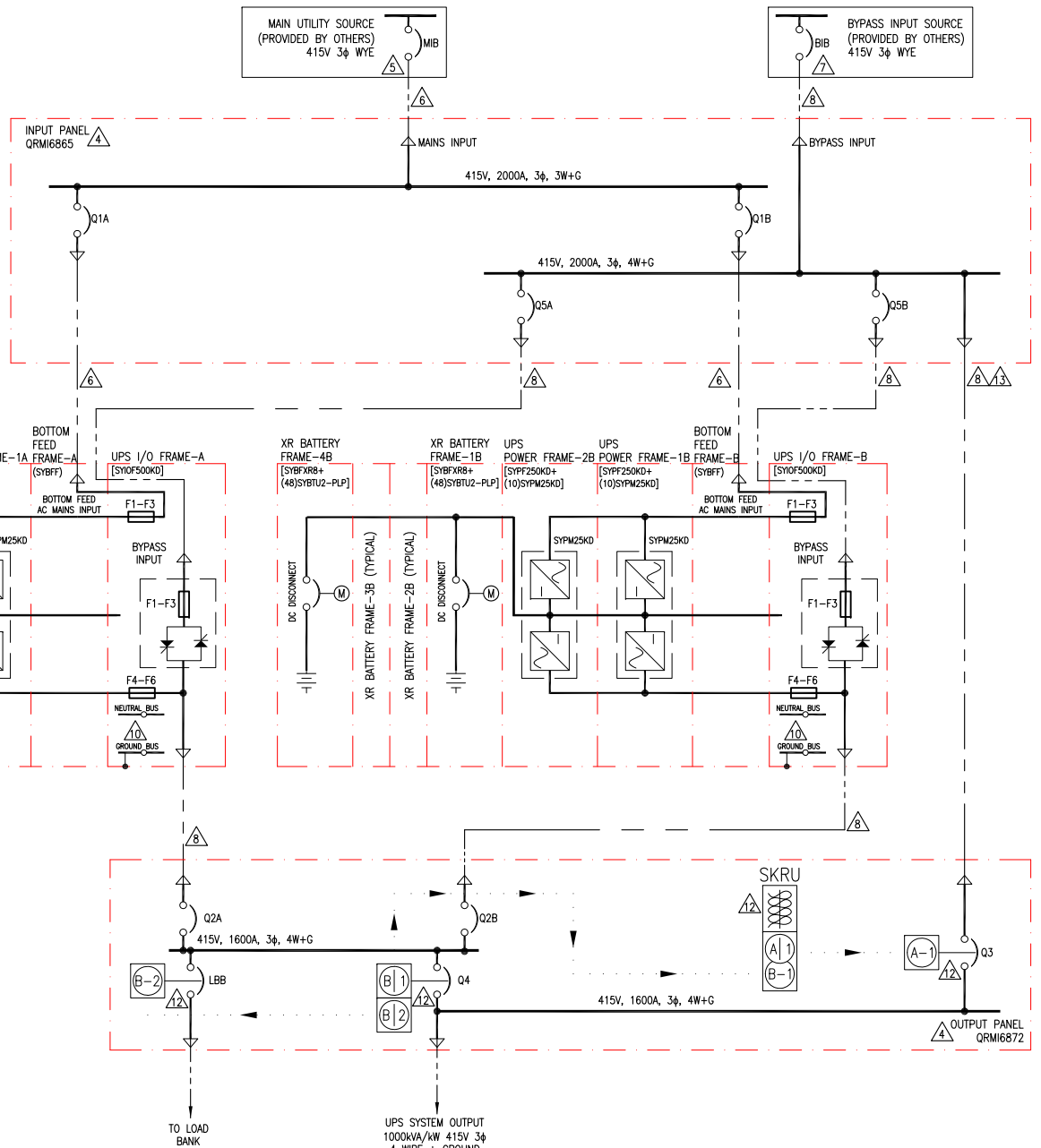
TITLE: SYMMETRA PX
 INPUT: 415V 3φ, SINGLE MAINS, DUAL INPUT TO UPS
 OUTPUT: 1000kVA/kW 415V 3φ
 500kW 2 MOD N BOTTOM FEED W/LINE-UP BATTERIES
 SYSTEM ONE LINE DIAGRAM
 PROJECT: SUBMITTAL DRAWINGS SHEET 5 OF 7

DWG NO: SY500K1000BH1C2-4W-SD
 DRAWN: BALAMURUGAN/S CUNHA
 ENGINEER: C FLY
 APPROVED: B SHERIDAN
 02-DEC-14
 02-DEC-14

REV. 2
 PROJ ANGLE
 N.A.

DEVICE RATING

| DEVICE | RATING | TYPE | MAKE | MODEL | ACCESSORIES |
|---------------------------------|---------------------------|--------------------|--------------------|------------------------|---|
| Q1A, Q1B | 1000A, 600V 100% RATED | MCCB, 3 POLE | Schneider Electric | PJP36100CUJ33ACBCKSKYP | 3A/3B AUX CONT, BELL ALARM, 24VDC SHUNT TRIP, ML 5.0 TRIP UNIT |
| Q2A, Q2B | 700A, 600V 100% RATED | ICCB, 4 POLE | Schneider Electric | BL1AAV33B9CXBXXXXA | 8A/8B AUX CONT, BELL ALARM, 24VDC SHUNT TRIP, ML 5.0 TRIP UNIT |
| Q3 | 1600A, 600V 100% RATED | ICCB, 4 POLE | Schneider Electric | BL1EEV33A9CXFXXXXA | 8A/8B AUX CONT, BELL ALARM, 120VAC SHUNT TRIP, ML 5.0 TRIP UNIT |
| Q4 | 1600A, 600V 100% RATED | ICCB, 4 POLE | Schneider Electric | BL1EEV33A9CXBXXXXA | 8A/8B AUX CONT, BELL ALARM, 24VDC SHUNT TRIP, ML 5.0 TRIP UNIT |
| Q5A, Q5B | 700A, 600V 100% RATED | MCCB, 3 POLE | Schneider Electric | PJP36080CUJ33BCBCKSKYP | 3A/3B AUX CONT, BELL ALARM, 24VDC SHUNT TRIP, ML 5.0 TRIP UNIT |
| LBB | 1600A, 600V 100% RATED | ICCB, 3 POLE | Schneider Electric | WL1EEV33A9CXBXXXXA | 8A/8B AUX CONT, BELL ALARM, 24VDC SHUNT TRIP, ML 5.0 TRIP UNIT |
| INVERTER FUSES F1-F3 / F4-F6 | 1250A, 700V | HIGH SPEED FUSE | BUSSMANN | 170M6466 | -- |
| SSW FUSES F1-F3 | 1100A, 700V | HIGH SPEED FUSE | BUSSMANN | 170M5167 | -- |
| DC DISCONNECT | 400A, 600V DC | MCCB, 4 POLE | ABB | T5 | 1 AUX CONT, 24VDC, SHUNT TRIP, ACTUATOR |



NOTES:

- INSTALLATION SHALL COMPLY WITH ALL APPLICABLE LOCAL AND NATIONAL CODES.
- PLEASE REFER TO PRODUCT MANUALS FOR ADDITIONAL DETAILS.
- DRAWING DEPICTS POWER SYSTEM CONNECTIONS AND IS NOT REPRESENTATIVE OF PHYSICAL LAYOUT, PLEASE REFER TO MECHANICAL DRAWINGS FOR PHYSICAL LAYOUT.
- MAXIMUM RATED SHORT CIRCUIT CURRENT IS 65KAIC, FOR UPS AND INPUT/OUTPUT PANELS.
- AC MAIN UTILITY SOURCE SHALL BE 415VAC, 3φ, SOLIDLY GROUNDED WYE, 3 WIRE+GROUND (CONTACT Schneider Electric IF OTHER). SEE SHEET 4 FOR SITE PLANNING SUBMITTAL DATA.
- AC CABLING SHALL BE 600V RATED, 3 WIRE+GROUND.
- AC BYPASS UTILITY SOURCE SHALL BE 415VAC, 3φ, SOLIDLY GROUNDED WYE, 4 WIRE+GROUND (CONTACT Schneider Electric IF OTHER). SEE SHEET 4 FOR SITE PLANNING SUBMITTAL DATA.
- AC CABLING SHALL BE 600V RATED, 4 WIRE+GROUND.
- AC MAINS AND BYPASS COMING FROM SAME SOURCE SHALL BE 4 WIRE+GROUND.
- THE NEUTRAL TO GROUND SYSTEM BONDING JUMPER PROVIDED BY Schneider Electric SHALL NOT BE INSTALLED FOR 4 WIRE OUTPUT CONFIGURATION. SEE INSTALLATION MANUAL FOR DETAILS.
- THIS DRAWING SHOWS MINIMUM NUMBER OF XR BATTERY FRAMES PER UPS. MAXIMUM (8) XR BATTERY FRAMES CAN BE BAYED TO EACH UPS. BAYING KIT IS SUPPLIED WITH THIS SOLUTION. XR BATTERY FRAME HAS MOTORIZED BREAKER.
- KEY INTERLOCKS WITH SKRU, SCHEME 39, BETWEEN Q3 AND Q4, ARE OPTIONAL AND ARE NOT INCLUDED AS STANDARD WITH THE SYSTEM. (SCHEME 39 ADDER IS QCC67185) KEY INTERLOCKS WITH SKRU, SCHEME 29, BETWEEN LBB AND Q4, ARE OPTIONAL AND ARE NOT INCLUDED AS STANDARD WITH THE SYSTEM. (SCHEME 29 ADDER IS QCBA39274) LBB IS OPTIONAL AND IS NOT INCLUDED AS STANDARD WITH THE SYSTEM. (LBB ADDER IS QRM16889) INSTALLATION OF LBB AND KEY INTERLOCKS WITH SKRU IS STRONGLY RECOMMENDED.
- CABLE SIZE AND INSTALLATION SHALL COMPLY WITH NEC ART. 240.21. IF NOT, USE CABLES RATED SAME AS THE MIB FEEDER.
- CABLE LENGTHS FOR STATIC BYPASS INPUT AND OUTPUT SHALL BE SAME SUM TOTAL TO ENSURE CORRECT LOAD SHARING IN STATIC BYPASS OPERATION.
- CABLE LUGS ARE NOT PROVIDED.

LEGEND:

AC CABLE - PROVIDED BY OTHERS

1000kVA/kW (500kW 2 MOD CAPACITY) BOTTOM FEED DUAL MAINS, DUAL INPUT TO UPS 4 WIRE OUTPUT CONFIGURATION

THIS DRAWING AND SPECIFICATIONS HEREIN ARE THE PROPERTY OF SCHNEIDER ELECTRIC AND SHALL NOT BE COPIED, REPRODUCED OR USED IN WHOLE OR IN PART, AS THE BASIS FOR THE MANUFACTURE OR SALE OF ITEMS WITHOUT WRITTEN PERMISSION FROM SCHNEIDER ELECTRIC. THIS DRAWING IS BASED UPON LATEST AVAILABLE INFORMATION AND IS SUBJECT TO CHANGE WITHOUT NOTICE.



| | | |
|--|---|------------------------|
| TITLE: SYMMETRA PX INPUT: 415V 3φ, DUAL MAINS, DUAL INPUT TO UPS OUTPUT: 1000kVA/kW 415V 3φ 500kW 2 MOD N BOTTOM FEED W/LINE-UP BATTERIES SYSTEM ONE LINE DIAGRAM | DWG NO: SY500K1000BH2C2-4W-SD | REV: 2 |
| PROJECT: SUBMITTAL DRAWINGS SHEET 6 OF 7 | DRAWN: BALAMURUGAN/S CUNHA ENGINEER: C FLY | 02-DEC-14 02-DEC-14 |
| | APPROVED: B SHERIDAN | 02-DEC-14 |

PROJ
ANGLE
N.A.

APC Symmetra® PX 250K and 500K UPS Frame Site Planning Data - w/o MBPwD

| UPS Module Rating | | | | Mains Input-Single or Dual Feed (Q1) ¹ | | | | Static Bypass Input - Dual Feed (Q5) ² | | | | External Battery System ^{3, 6, 14} | | | | AC Output (Q2) ² | | | | Mechanical Data ^{5, 11} | | | | | | | | | |
|-------------------------------|-------------------------------|-----|-----|---|---------------------|-----------|-------------------|---|------------|----------|-------------------|---|------------|-------------|------------|-----------------------------|-----------------|------------|---------|----------------------------------|-----------------|------------|--------------------|----------------|---------------|---|--|--------|--------|
| | | | | Voltage | | Current | | Recommendations | | Currents | | Recommendations ⁴ | | Nominal VDC | Battery kW | Current @ Nom. VDC | Recommendations | | Current | | Recommendations | | Typical Dimensions | Average Weight | Floor Loading | Heat Rejection Battery Fully Charged BTU/HR | Heat Rejection Battery Charging BTU/HR | | |
| UPS Frame Rating | Qty of 25kW Power Modules | kVA | kW | Input ¹ | Output ² | Full Load | Max. ⁷ | 100% OCPD | 100% Cable | NOM. | Max. ⁸ | 100% OCPD | 100% Cable | | | | 100% OCPD | 100% Cable | NOM. | Max. ⁸ | 100% OCPD | 100% Cable | | | | | | WxHxD | Lbs |
| 250kVA/250kW 1x 250K Frame | 4 | 100 | 100 | 415 | 415 | 160 | 179 | | | 139 | 174 | | | | | 2x 288 | 104 | 181 | | | 139 | 174 | | | | | | | |
| | 5 | 125 | 125 | 415 | 415 | 200 | 223 | | | 174 | 217 | | | | | 2x 288 | 130 | 226 | | | 174 | 217 | | | | | | | |
| | 6 | 150 | 150 | 415 | 415 | 240 | 268 | | | 209 | 261 | | | | | 2x 288 | 156 | 271 | | | 209 | 261 | | | | | | | |
| | 7 | 175 | 175 | 415 | 415 | 280 | 313 | | | 243 | 304 | | | | | 2x 288 | 182 | 316 | | | 243 | 304 | | | | | | | |
| | 8 | 200 | 200 | 415 | 415 | 320 | 357 | | | 278 | 348 | | | | | 2x 288 | 208 | 362 | | | 278 | 348 | | | | | | | |
| | 9 | 225 | 225 | 415 | 415 | 360 | 402 | | | 313 | 391 | | | | | 2x 288 | 234 | 407 | | | 313 | 391 | | | | | | | |
| | 10 | 250 | 250 | 415 | 415 | 401 | 447 | 450A | 2x 4/0 | 348 | 435 | 350A | 2x 2/0 | 500A | 2x 4/0 | 2x 288 | 260 | 452 | 500A | 2x 4/0 | 348 | 435 | 350A | 1x 500 | 47x79x42 | 2,330 | 170 | 35,542 | 42,759 |
| | 500kVA/500kW 2x 250K Frame | 11 | 275 | 275 | 415 | 415 | 441 | 491 | | | 383 | 478 | | | | | 2x 288 | 286 | 497 | | | 383 | 478 | | | | | | |
| | | 12 | 300 | 300 | 415 | 415 | 481 | 536 | | | 417 | 522 | | | | | 2x 288 | 312 | 543 | | | 417 | 522 | | | | | | |
| | | 13 | 325 | 325 | 415 | 415 | 521 | 581 | | | 452 | 565 | | | | | 2x 288 | 339 | 588 | | | 452 | 565 | | | | | | |
| 14 | | 350 | 350 | 415 | 415 | 561 | 626 | | | 487 | 609 | | | | | 2x 288 | 365 | 633 | | | 487 | 609 | | | | | | | |
| 15 | | 375 | 375 | 415 | 415 | 601 | 670 | | | 522 | 652 | | | | | 2x 288 | 391 | 678 | | | 522 | 652 | | | | | | | |
| 16 | | 400 | 400 | 415 | 415 | 641 | 715 | | | 556 | 696 | | | | | 2x 288 | 417 | 723 | | | 556 | 696 | | | | | | | |
| 17 | | 425 | 425 | 415 | 415 | 681 | 760 | | | 591 | 739 | | | | | 2x 288 | 443 | 769 | | | 591 | 739 | | | | | | | |
| 18 | | 450 | 450 | 415 | 415 | 721 | 804 | | | 626 | 783 | | | | | 2x 288 | 469 | 814 | | | 626 | 783 | | | | | | | |
| 19 | | 475 | 475 | 415 | 415 | 761 | 849 | | | 661 | 826 | | | | | 2x 288 | 495 | 859 | | | 661 | 826 | | | | | | | |
| 20 | | 500 | 500 | 415 | 415 | 801 | 894 | 1000A | 3x 400 | 696 | 870 | 700A | 3x 250 | 1000A | 3x 400 | 2x 288 | 521 | 904 | 1000A | 3x 400 | 696 | 870 | 700A | 2x 500 | 71x79x42 | 3,797 | 183 | 71,083 | 85,517 |

APC Symmetra® PX 250K and 500K UPS Parallel SWBD Site Planning Data¹⁵

| UPS Rating | | | | Mains AC Input Single or Dual Feed (MIB) ¹ | | | | Bypass AC Input - Dual Feed (BIB - Q3) ² | | | | AC Output (Q4 -LBB) ² | | | | Mechanical Data ^{5, 11} | | | | | | | | | |
|------------------|-----------------|------|------|---|---------------------|-----------|-------------------|---|------------|----------|-------------------|----------------------------------|------------|---------|-------------------|----------------------------------|------------|--------------------|----------------|---------------|---|--|-------|----------|----------|
| | | | | Voltage | | Current | | Recommendations ³ | | Currents | | Recommendations | | Current | | Recommendations | | Typical Dimensions | Average Weight | Floor Loading | Heat Rejection Battery Fully Charged BTU/HR | Heat Rejection Battery Charging BTU/HR | | | |
| UPS Frame Rating | Qty in Parallel | kVA | kW | Input ¹ | Output ² | Full Load | Max. ⁷ | 100% OCPD | 100% Cable | NOM. | Max. ⁸ | 100% OCPD | 100% Cable | NOM. | Max. ⁸ | 100% OCPD | 100% Cable | | | | | | WxHxD | Lbs | Lbs/Ft2 |
| 250kVA 250kW | 2 | 500 | 500 | 415 | 415 | 801 | 894 | 1000A | 3x 400 | 696 | 870 | 700A | 2x 500 | | | 696 | 870 | 700A | 2x 350 | | | | | 71,083 | 85,517 |
| | 3 | 750 | 750 | 415 | 415 | 1202 | 1341 | 1600A | 4x 600 | 1044 | 1305 | 1200A | 3x 600 | | | 1044 | 1305 | 1200A | 3x 600 | | | | | 1,06,626 | 1,28,276 |
| | 4 | 1000 | 1000 | 415 | 415 | 1602 | 1788 | 2000A | 5x 600 | 1392 | 1740 | 1600A | 4x 600 | | | 1392 | 1740 | 1600A | 4x 600 | | | | | 1,42,166 | 1,71,034 |
| 500kVA 500kW | 2 | 1000 | 1000 | 415 | 415 | 1602 | 1788 | 2000A | 5x 600 | 1392 | 1740 | 1600A | 4x 600 | | | 1392 | 1740 | 1600A | 4x 600 | | | | | 142,166 | 1,71,034 |
| | 3 | 1500 | 1500 | 415 | 415 | 2403 | 2682 | 3000A | 8x 500 | 2088 | 2610 | 2500A | 6x 600 | | | 2088 | 2610 | 2500A | 6x 600 | | | | | 2,13,249 | 2,56,551 |
| | 4 | 2000 | 2000 | 415 | 415 | 3204 | 3576 | 4000A | 10x 600 | 2784 | 3480 | 3000A | 8x 500 | | | 2784 | 3480 | 3000A | 8x 500 | | | | | 2,84,332 | 3,42,068 |

APC Symmetra® PX

Notes.

- Mains Input source must be 415Y/240V 4-wire + Ground for single feed or 3-wire + Ground for dual feed. Contact Schneider Electric if other.
- Output is 415Y/240V 4-wire + GROUND. The bypass AC input source must be 415Y/240V 4-wire + ground..
- Recommended cables are AWG/kcmil minimum requirement for three (3) current carrying conductors in raceway, sized for 30°C environment and 75°C terminations. All cabling must comply with installation site conditions and any applicable Local and or Natio
- Dual Feed static bypass input feeder is limited to maximum size of 250kcmil conductor.
- Mechanical Data is approximate and does not include the battery system or maintenance bypass switchgear or external DC Disconnects. For precise mechanical data on your planned system configuration contact Schneider Electric.
- Contact Schneider Electric for assistance with all external battery designs. Maximum allowed DC cabling voltage drop is 1 VDC. Schneider Electric Standard external DCD's are rated 500A (PX 250kVA) or 1000A (PX 500kVA).
- Electronic Input Current Limit.
- This is the UPS short time rating of 125% Overload for 10 minutes. Actual short time performance may be limited by the over current protective device selected.
- For maximum scalability or future expansion it is recommended that the UPS frames be installed at their full ratings - see green highlighted data.
- All OCPD's and cabling are by others.
- Heat rejection calculations are based on watt to BTU/HR conversion factor of 1 watt = 3.412 BTU/HR.
- Not Applicable - Maximum input OCPD rating is 1000A.
- OCPD = Over Current Protective Device
- Common battery system is not allowed or supported for this product
- See applicable submittal drawings for additional details.

1000kVA/kW (500kW 2 MOD CAPACITY) SINGLE/DUAL INPUT TOP/BOTTOM FEED TO UPS 4 WIRE OUTPUT CONFIGURATION

THIS DRAWING AND SPECIFICATIONS HEREIN ARE THE PROPERTY OF SCHNEIDER ELECTRIC AND SHALL NOT BE COPIED, REPRODUCED OR USED IN WHOLE OR IN PART, AS THE BASIS FOR THE MANUFACTURE OR SALE OF ITEMS WITHOUT WRITTEN PERMISSION FROM SCHNEIDER ELECTRIC. THIS DRAWING IS BASED UPON LATEST AVAILABLE INFORMATION AND IS SUBJECT TO CHANGE WITHOUT NOTICE.



TITLE: SYMMETRA PX
 INPUT: 415V 3φ, DUAL & SINGLE MAINS
 OUTPUT: 1000kVA/kW 415V 3φ
 500kW 2 MOD N TOP/BOTTOM FEED W/LINE-UP BATTERIES
 SITE PLANNING DATA
 PROJECT: SUBMITTAL DRAWINGS | SHEET 7 OF 7

DWG NO: SY500K1000HC2-4W-SD REV. 0
 DRAWN: BALAMURUGAN/V BUSH 28-JUL-11
 ENGINEER: A WARNER/C BARBOZA 28-JUL-11
 APPROVED: B SHERMAN/S WOOD/M DESHPANDE 28-JUL-11
 PROJ ANGLE N.A.