

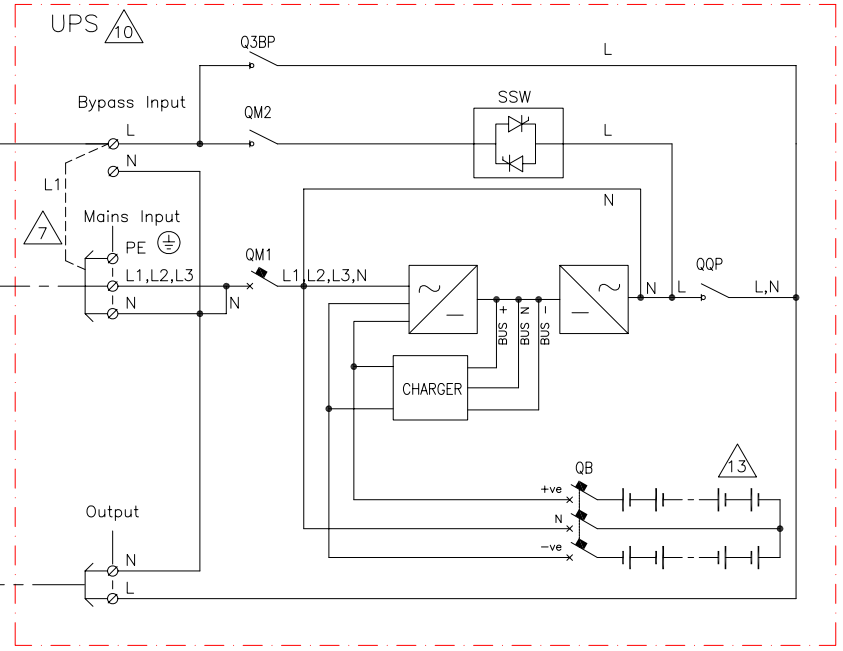
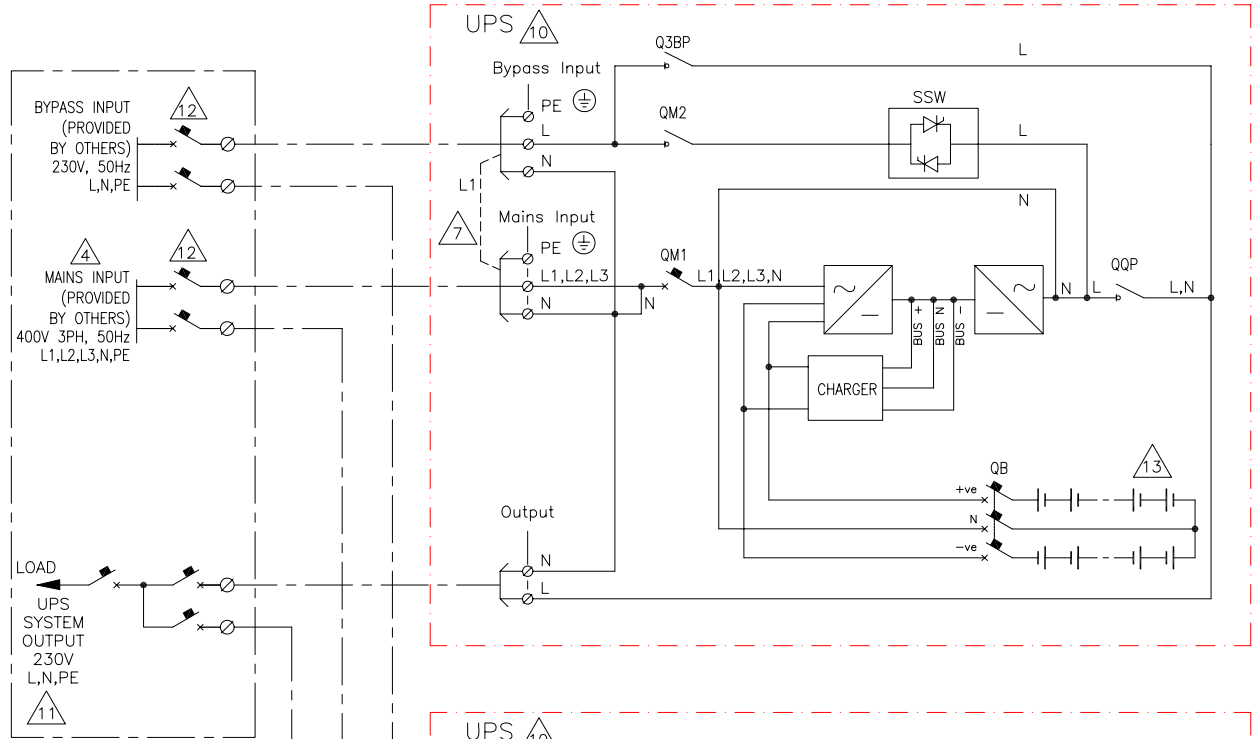
Runtime Details		
SKU Number/ (Runtime in Minutes)	Type and quantity of battery	
	YUASA	CSB
G3HT10K3IB1S (10 min)	NPW45-12 (32 blocks)	GP1272 (32 blocks)
G3HT10K3IB2S (30 min)	NPW45-12 (64 blocks)	GP1272 (64 blocks)
G3HT15K3IB1S (10 min)	NPW45-12 (32 blocks)	GP12120 (32 blocks)
G3HT15K3IB2S (30 min)	NPW45-12 (90 blocks)	GP1272 (90 blocks)

LEGEND:
 - - - - - AC CABLE - PROVIDED BY OTHERS.

DEVICE RATINGS (SCHNEIDER ELECTRIC MAKE)

DEVICE ID AND QUANTITY IN EACH SKU										RATING (A)	DESCRIPTION	MODEL/ TYPE	NUMBER OF AUX. SWITCH (NC)
G3HT10K3IB1S	G3HT10K3IB2S	G3HT10K3IS	G3HT15K3IB1S	G3HT15K3IB2S	G3HT15K3IS	G3HT20K3IB1S	G3HT20K3IB2S	G3HT20K3IS					
-	-	2	2	2	2	1(QOP)	1(QOP)	1(QOP)	-	100	AC SWITCH 4 POLE	APA15093	1
2 (Q3BP) (QM2)	2 (Q3BP) (QM2)	2 (Q3BP) (QM2)	2 (Q3BP) (QM2)	2 (Q3BP) (QM2)	2 (Q3BP) (QM2)	-	-	-	-	100	AC SWITCH 1 POLE	APA15090	1
1(QOP)	1(QOP)	1(QOP)	1(QOP)	1(QOP)	1(QOP)	2 (Q3BP) (QM2)	2 (Q3BP) (QM2)	2 (Q3BP) (QM2)	-	100	AC SWITCH 2 POLE	APA15091	1
1(QB)	1(QB)	1(QB)	1(QB)	1(QB)	1(QB)	1(QB)	1(QB)	1(QB)	-	63	AC MINIATURE CIRCUIT BREAKER 3 POLE	OSMC65H3C63 + 26924	1
1(QM1)	1(QM1)	1(QM1)	1(QM1)	1(QM1)	1(QM1)	1(QM1)	1(QM1)	1(QM1)	-	50	AC MINIATURE CIRCUIT BREAKER 4 POLE	OSMC65H4C50	0

- NOTES:**
- INSTALLATION MUST COMPLY WITH ALL APPLICABLE LOCAL AND NATIONAL CODES.
 - PLEASE REFER TO APC by Schneider Electric PRODUCT MANUALS FOR DETAILS.
 - DRAWING DEPICTS POWER SYSTEM CONNECTIONS AND IS NOT REPRESENTATIVE OF PHYSICAL LAYOUT, PLEASE REFER TO MECHANICAL DRAWINGS FOR PHYSICAL LAYOUT.
 - 3x400/230V TN-S (PROVIDED BY OTHERS). FOR OTHER EARTHING PRINCIPLES, PLEASE CONTACT APC by Schneider Electric. RECOMMENDED UPSTREAM PROTECTION IS A MINIMUM RATING TO SUPPORT MAXIMUM CURRENT, WITHOUT SELECTIVITY. IF SELECTIVITY IS REQUIRED, PLEASE CONTACT APC by Schneider Electric.
 - ALL 3 PHASE AC POWER CABLING IS L1, L2, L3, N, PE.
 - DC CABLING TO BE 600V RATED, 3 WIRE.
 - JUMPERS ARE APPLICABLE FOR SINGLE MAINS, MUST BE REMOVED FOR DUAL MAINS.
 - UPS INPUT AND OUTPUT CABLES SHOULD BE SEGREGATED.
 - POWER WIRING AND CONTROL WIRING SHOULD BE SEGREGATED.
 - APPLICABLE UPS SKU NUMBERS LISTED IN SHEET-3.
 - SYSTEM OUTPUT FOR VARIOUS SKUs LISTED IN SHEET-3.
 - FOR SYSTEM INPUT OVER CURRENT PROTECTION REFER TO SHEET-3.
 - SKUs G3HT10K3IS, G3HT15K3IS AND G3HT120K3IS HAVE NO BATTERIES.
 - FOR RECOMMENDED CABLE SIZES, REFER TO SHEET-3.



THIS DRAWING AND SPECIFICATIONS HEREIN ARE THE PROPERTY OF SCHNEIDER ELECTRIC AND SHALL NOT BE COPIED, REPRODUCED OR USED IN WHOLE OR IN PART, AS THE BASIS FOR THE MANUFACTURE OR SALE OF ITEMS WITHOUT WRITTEN PERMISSION FROM SCHNEIDER ELECTRIC. THIS DRAWING IS BASED UPON LATEST AVAILABLE INFORMATION AND IS SUBJECT TO CHANGE WITHOUT NOTICE.



TITLE: GALAXY 300
 Input: 400/230V AC 3PH DUAL MAINS
 Output: 10-20kVA 230V AC 1PH
 2 MODULE N+1
 SYSTEM ONE LINE DIAGRAM

DWG NO: G3HT10K3I20R2M2-SD
REV: 1
DRAWN: BALAMURUGAN 20-APR-11 ANGLE
ENGINEER: K.WU 28-APR-11 PROJECTION:
APPROVED: C.JARSEN/S.WAGH 28-APR-11 N/A

PROJECT: SUBMITTAL DRAWINGS SHEET 1 OF 3

Runtime Details		
SKU Number/ (Runtime in Minutes)	Type and quantity of battery	
	YUASA	CSB
G3HT20K3IB1S (10 min)	NPW45-12 (64 blocks)	GP1272 (64 blocks)
G3HT20K3IB2S (25 min)	NPW45-12 (90 blocks)	GP12120 (64 blocks)
G3HT30K3IB1S (10 min)	NPW45-12 (90 blocks)	GP1272 (90 blocks)
G3HT30K3IB2S (25 min)	NPW45-12 (150 blocks)	GP12120 (90 blocks)

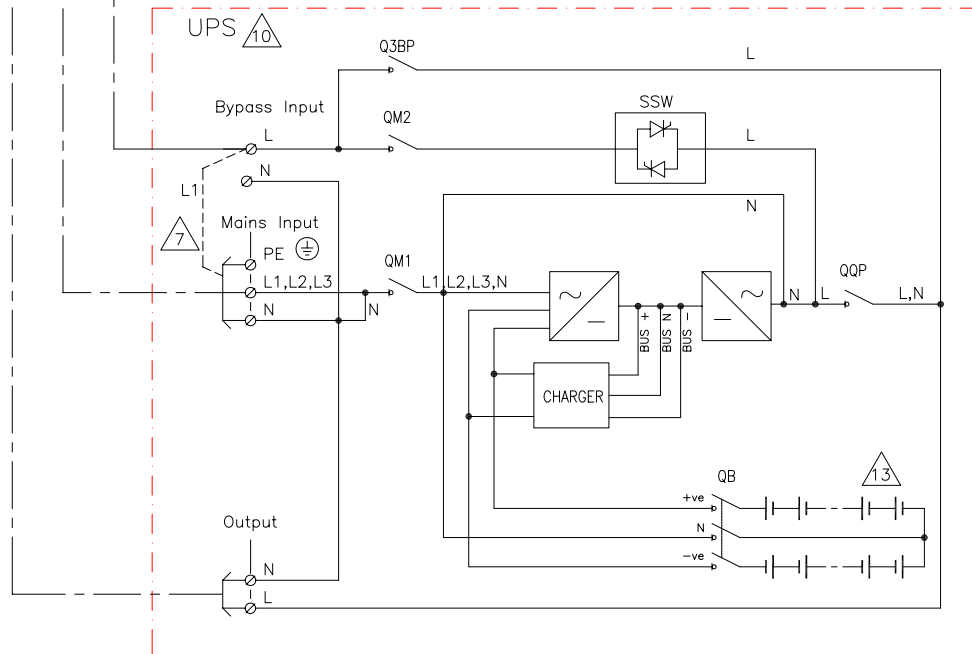
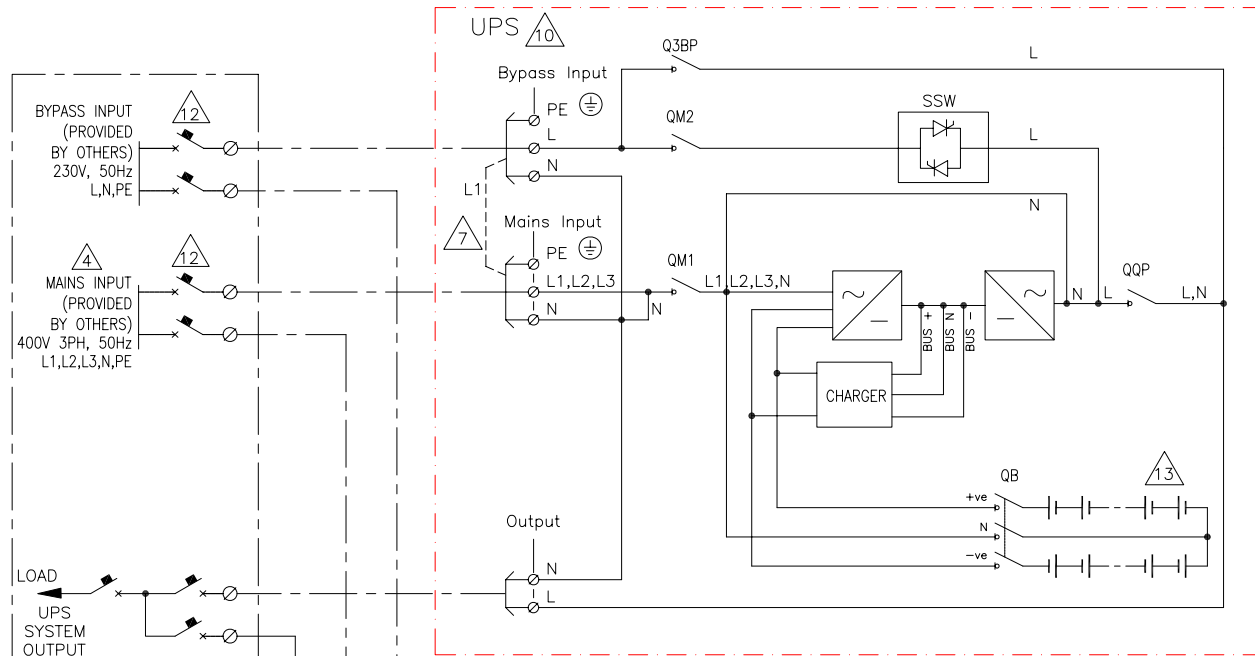
LEGEND:
 - - - - - AC CABLE - PROVIDED BY OTHERS.

DEVICE RATINGS (SCHNEIDER ELECTRIC MAKE)

DEVICE ID AND QUANTITY IN EACH SKU			RATING (A)	DESCRIPTION	MODEL/ TYPE	NUMBER OF AUX. SWITCH (NC)
G3HT30K3IB1S	G3HT30K3IB2S	G3HT30K3IS				
1(QOP)	1(QOP)	1(QOP)	100	AC SWITCH 4 POLE	APA15093	1
1(QB)	1(QB)	1(QB)	125	AC SWITCH 3 POLE	APA15059	1
2(Q3BP) (QM2)	2(Q3BP) (QM2)	2(Q3BP) (QM2)	100	AC SWITCH 2 POLE	APA15091	1
1(QM1)	1(QM1)	1(QM1)	80	AC SWITCH 4 POLE	APA15022	0

NOTES:

- INSTALLATION MUST COMPLY WITH ALL APPLICABLE LOCAL AND NATIONAL CODES.
- PLEASE REFER TO APC by Schneider Electric PRODUCT MANUALS FOR DETAILS.
- DRAWING DEPICTS POWER SYSTEM CONNECTIONS AND IS NOT REPRESENTATIVE OF PHYSICAL LAYOUT, PLEASE REFER TO MECHANICAL DRAWINGS FOR PHYSICAL LAYOUT.
- 3x400/230V TN-S (PROVIDED BY OTHERS). FOR OTHER EARTHING PRINCIPLES, PLEASE CONTACT APC by Schneider Electric. RECOMMENDED UPSTREAM PROTECTION IS A MINIMUM RATING TO SUPPORT MAXIMUM CURRENT, WITHOUT SELECTIVITY. IF SELECTIVITY IS REQUIRED, PLEASE CONTACT APC by Schneider Electric.
- ALL 3 PHASE AC POWER CABLING IS L1, L2, L3, N, PE.
- DC CABLING TO BE 600V RATED, 3 WIRE.
- JUMPERS ARE APPLICABLE FOR SINGLE MAINS, MUST BE REMOVED FOR DUAL MAINS.
- UPS INPUT AND OUTPUT CABLES SHOULD BE SEGREGATED.
- POWER WIRING AND CONTROL WIRING SHOULD BE SEGREGATED.
- APPLICABLE UPS SKU NUMBERS LISTED IN SHEET-3.
- SYSTEM OUTPUT FOR VARIOUS SKUs LISTED IN SHEET-3.
- FOR SYSTEM INPUT OVER CURRENT PROTECTION REFER TO SHEET-3.
- SKU G3HT30K3IS HAS NO BATTERIES.
- FOR RECOMMENDED CABLE SIZES, REFER TO SHEET-3.



THIS DRAWING AND SPECIFICATIONS HEREIN ARE THE PROPERTY OF SCHNEIDER ELECTRIC AND SHALL NOT BE COPIED, REPRODUCED OR USED IN WHOLE OR IN PART, AS THE BASIS FOR THE MANUFACTURE OR SALE OF ITEMS WITHOUT WRITTEN PERMISSION FROM SCHNEIDER ELECTRIC. THIS DRAWING IS BASED UPON LATEST AVAILABLE INFORMATION AND IS SUBJECT TO CHANGE WITHOUT NOTICE.



TITLE: GALAXY 300
 Input: 400/230V AC 3PH DUAL MAINS
 Output: 30kVA 230V AC 1PH
 2 MODULE N+1
 SYSTEM ONE LINE DIAGRAM

PROJECT: SUBMITTAL DRAWINGS SHEET 2 OF 3

DWG NO: G3HT30K3IR2M2-SD

DRAWN: BALAMURUGAN

ENGINEER: K.WU

APPROVED: C.JARSEN/S.WAGH

REV: 1

20-APR-11

28-APR-11

28-APR-11

ANGLE PROJECTION: N/A

Galaxy 300[®] 10kVA to 30kVA UPS 2 Module N+1 (3 phase input and Single phase output) Site Planning Data

Mains Input Voltage : 400V AC 3Ph 50Hz **Output Voltage** : 230V AC 1Ph 50Hz
Bypass Input Voltage : 230V AC 1Ph 50Hz **Battery-Nominal Voltage** : +/-192V DC(16blocks), +/-180V DC (15blocks)

UPS Rating	SKU Number	System Mains Input (400V-3Ph, 50Hz)		System Bypass Input (230V-1Ph, 50Hz)	System Output		Battery Current(A)		Recommended External Input Over current Protection Device (Breaker)		Recommended External Output Over current Protection Device (Breaker)
		Nominal Current(A)	Maximum Current(A)	Nominal Current(A)	Nominal Ouput (kW)	Nominal Current(A)	16 Blocks	15 Blocks	Mains Input	Bypass Input	System output / Individual UPS Output
10kVA/ 8kW	G3HT10K3IB1S	12.5	17.5	43.5	10kVA/ 8kW	43.5	23	25	C65H-D-4P-50A/ C60H-D-4P-50A	C120H-D-2P-80A	C65N-B-2P-25A/C60N-B-2P-25A C65N-C-2P-10A/C60N-C-2P-10A
	G3HT10K3IB2S										
	G3HT10K3IS ⁶										
15kVA/ 12kW	G3HT15K3IB1S	19	24	65.2	15kVA/ 12kW	65.2	35	37		C120H-D-2P-125A	
	G3HT15K3IB2S										
	G3HT15K3IS ⁶										
20kVA/ 16kW	G3HT20K3IB1S	25	31	87	20kVA/ 16kW	87	46	50	NSX250F TM200D 3P	C65N-B-2P-32A/C60N-B-2P-32A C65N-C-2P-16A/C60N-C-2P-16A	
	G3HT20K3IB2S										
	G3HT20K3IS ⁶										
30kVA/ 24kW	G3HT30K3IB1S	38	43	130.4	30kVA/ 24kW	130.4	70	74	C120H-D-4P-80A	NSX250F TM250D 3P	C65N-B-2P-50A/C60N-B-2P-50A C65N-C-2P-25A/C60N-C-2P-25A
	G3HT30K3IB2S										
	G3HT30K3IS ⁶										

Notes.

- Nominal Input current based on nominal mains voltage + batteries fully charged at rated load.
- Maximum Input current based on fully battery recharge + nominal mains voltage at rated load.
- Suggested input overcurrent protection based on continuous full load.
- Nominal battery voltage assumed to be 2.0 volts/ cell (lead technology)
- Over current protection device rating selection based on Nominal input current is acceptable provided battery recharge time is short.
Consult APC by Schneider Electric for application specific assistance.
- SKUs - contains no batteries.
- The C65 series breakers must be used in China and the C60 series breakers must be used in rest of the world.

Recommended Cable Sizes

Description \ kVA	10kVA		15kVA		20kVA		30kVA	
	min	max	min	max	min	max	min	max
Mains/Utility input (mm ²)	10	35	10	35	35	90	35	90
Mains Neutral input (mm ²)	10	35	10	35	35	90	35	90
AC output (mm ²)	16	35	25	35	35	90	70	90
Bypass input (mm ²)	16	35	25	35	35	90	70	90
Bypass Neutral input (mm ²)	16	35	25	35	35	90	70	90

Notes

- The cable sizes are based on an environment with an ambient max temperature of 35° C
- Only copper cables are considered.

THIS DRAWING AND SPECIFICATIONS HEREIN ARE THE PROPERTY OF SCHNEIDER ELECTRIC AND SHALL NOT BE COPIED, REPRODUCED OR USED IN WHOLE OR IN PART, AS THE BASIS FOR THE MANUFACTURE OR SALE OF ITEMS WITHOUT WRITTEN PERMISSION FROM SCHNEIDER ELECTRIC. THIS DRAWING IS BASED UPON LATEST AVAILABLE INFORMATION AND IS SUBJECT TO CHANGE WITHOUT NOTICE.



TITLE: GALAXY 300
 Input: 400/230V AC 3PH DUAL MAINS
 Output: 10-30kVA 230V 1PH
 2 MODULE N+1
 SITE PLANNING DATA

PROJECT: SUBMITTAL DRAWINGS SHEET 3 OF 3

DWG NO: G3HT10K3I3OR2M2-SPD

DRAWN: BALAMURUGAN 20-APR-11

ENGINEER: K.WU 28-APR-11

APPROVED: C.LARSEN/S.WAGH 28-APR-11

REV: 1

ANGLE

PROJECTION:

N/A