

RUNTIME DETAILS					
UPS SKU Numbers	Applicable Battery SKU Number	Quantity of Enclosures		Type and quantity of battery (for 60 min backup)	
		BATTERY CABINET-1	BATTERY CABINET-2	YUSUA	CSB
G3HT10K3LS	G3HTBAT1	1	0	SWL 1100 (30 blocks)	GP12120 (90 blocks)
G3HT15K3LS	G3HTBAT1	1	0	SWL 1100 (30 blocks)	GP12120 (90 blocks)
G3HT20K3LS	G3HTBAT2	1	1	SWL 1850 (30 blocks)	GP12340 (64 blocks)

**DEVICE RATINGS (SCHNEIDER ELECTRIC MAKE)**  
**UPS**

G3HT10K3LS	G3HT15K3LS	G3HT20K3LS	RATING (A)	DESCRIPTION	MODEL/ TYPE	NUMBER OF AUX. SWITCH (NC)
-	-	1(QOP)	100	AC SWITCH 4 POLE	APA15093	1
2 (Q3BP) (QM2)	2 (Q3BP) (QM2)	-	100	AC SWITCH 1 POLE	APA15090	1
1(QOP)	1(QOP)	2 (Q3BP) (QM2)	100	AC SWITCH 2 POLE	APA15091	1
1(QB)	1(QB)	1(QB)	63	AC MINIATURE CIRCUIT BREAKER 3 POLE	OSMC65H3C63 + 26924	1
1(QM1)	1(QM1)	1(QM1)	50	AC MINIATURE CIRCUIT BREAKER 4 POLE	OSMC65H4C50	0

**BATTERY CABINET-1**

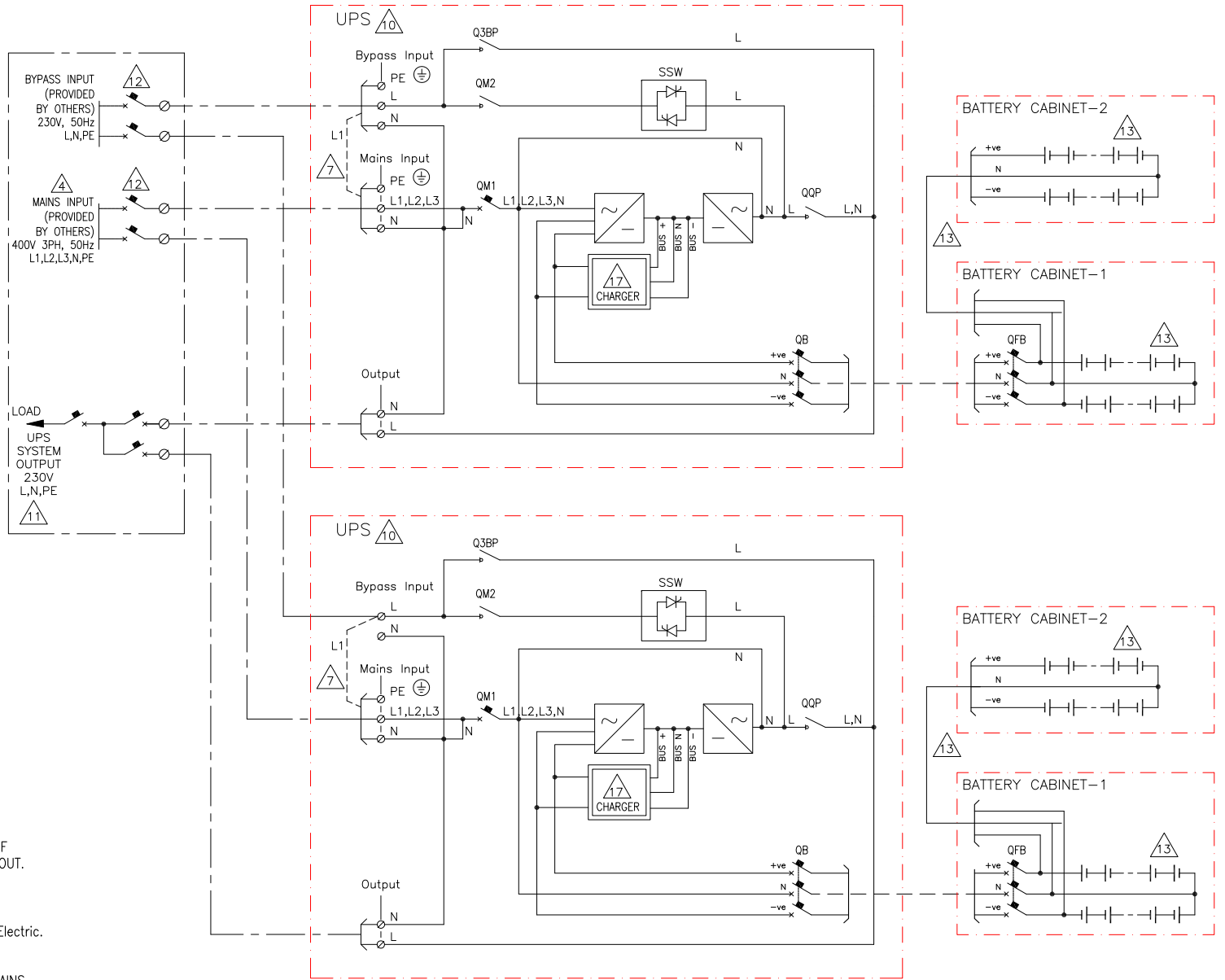
QFB	160	MCCB DC 3 POLE 750V 100KA, 24V DC TRIP UNIT	NSX160DC + 29410 + 29450
-----	-----	---	--------------------------

**LEGEND:**

----- AC CABLE - PROVIDED BY OTHERS.  
----- DC CABLE - PROVIDED BY OTHERS.

**NOTES:**

- INSTALLATION MUST COMPLY WITH ALL APPLICABLE LOCAL AND NATIONAL CODES.
  - PLEASE REFER TO APC by Schneider Electric PRODUCT MANUALS FOR DETAILS.
  - DRAWING DEPICTS POWER SYSTEM CONNECTIONS AND IS NOT REPRESENTATIVE OF PHYSICAL LAYOUT, PLEASE REFER TO MECHANICAL DRAWINGS FOR PHYSICAL LAYOUT.
  - 3x400/230V TN-S (PROVIDED BY OTHERS). FOR OTHER EARTHING PRINCIPLES, PLEASE CONTACT APC by Schneider Electric. RECOMMENDED UPSTREAM PROTECTION IS A MINIMUM RATING TO SUPPORT MAXIMUM CURRENT, WITHOUT SELECTIVITY. IF SELECTIVITY IS REQUIRED, PLEASE CONTACT APC by Schneider Electric.
  - ALL 3 PHASE AC POWER CABLING IS L1, L2, L3, N, PE.
  - DC CABLING TO BE 600V RATED, 3 WIRE.
  - JUMPERS ARE APPLICABLE FOR SINGLE MAINS, MUST BE REMOVED FOR DUAL MAINS.
  - UPS INPUT AND OUTPUT CABLES SHOULD BE SEGREGATED.
  - POWER WIRING AND CONTROL WIRING SHOULD BE SEGREGATED.
  - APPLICABLE UPS SKU NUMBERS LISTED IN SHEET-3.
  - SYSTEM OUTPUT FOR VARIOUS SKUs LISTED IN SHEET-3.
  - FOR SYSTEM INPUT OVER CURRENT PROTECTION REFER TO SHEET-3.
  - CABLE IS PART OF BATTERY CABINETS.
  - DRAWING SHOWN WITH MAXIMUM NUMBER OF BATTERY CABINETS.
  - FOR CABLING DIAGRAMS REFER TO PRODUCT MANUAL.
- G3HTFBAT IS AN EMPTY BATTERY CABINET WITH TEMPERATURE SENSOR (ATIZ) AND WITHOUT BREAKER, BATTERIES. (CUSTOMER CAN USE THEIR BREAKER & BATTERIES IN THE EMPTY BATTERY CABINET IN PLACE OF THE ABOVE MENTIONED BATTERY CABINET SKUS).
- FOR RECOMMENDED CABLE SIZES, REFER TO SHEET-3.
  - IMPROVED CHARGING CAPACITY FOR LONG BATTERY RUNTIMES.



THIS DRAWING AND SPECIFICATIONS HEREIN ARE THE PROPERTY OF SCHNEIDER ELECTRIC AND SHALL NOT BE COPIED, REPRODUCED OR USED IN WHOLE OR IN PART, AS THE BASIS FOR THE MANUFACTURE OR SALE OF ITEMS WITHOUT WRITTEN PERMISSION FROM SCHNEIDER ELECTRIC. THIS DRAWING IS BASED UPON LATEST AVAILABLE INFORMATION AND IS SUBJECT TO CHANGE WITHOUT NOTICE.

**Schneider Electric**

TITLE: GALAXY 300  
Input: 400/230V AC 3PH DUAL MAINS  
Output: 10/15/20 kVA 230V 1PH  
2 MODULE N+1 W/LONG BATTERY CHARGER  
SYSTEM ONE LINE DIAGRAM  
PROJECT: SUBMITTAL DRAWINGS SHEET 1 OF 3

DWG NO: G3HT10K3I20R2M2CLA-SD  
DRAWN: BALAMURUGAN 14-MAR-16  
ENGINEER: BIN-CAMPBELL BAI 14-MAR-16  
APPROVED: K ROY XU 14-MAR-16  
REV: 2  
ANGLE  
PROJECTION: N/A

RUNTIME DETAILS					
UPS SKU Numbers	Applicable Battery SKU Number	Quantity of Enclosures		Type and quantity of battery (for 60 min backup)	
		BATTERY CABINET-1	BATTERY CABINET-2	YUSUA	CSB
G3HT30K3ILS	G3HTBAT2	1	1	SWL 1850 (30 blocks)	GP12340 (64 blocks)

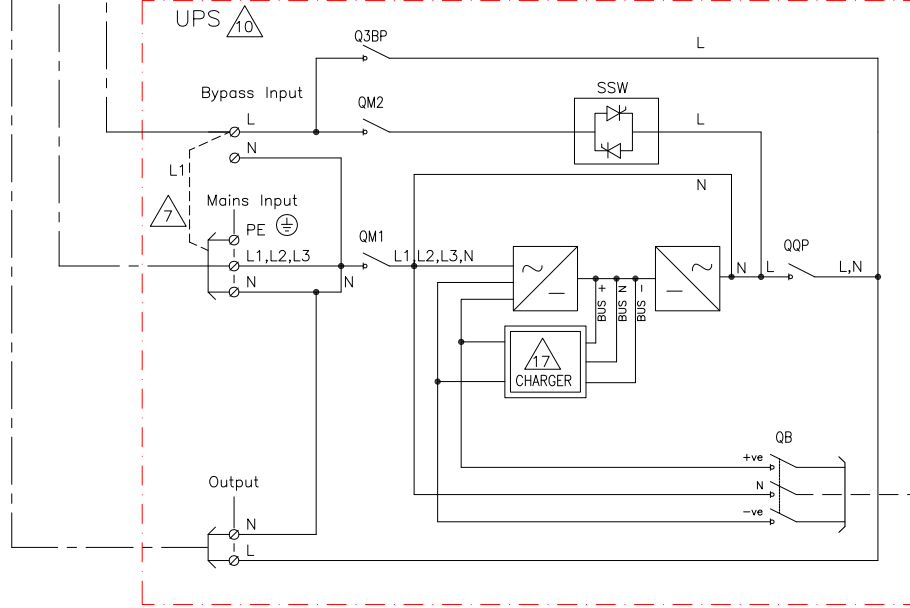
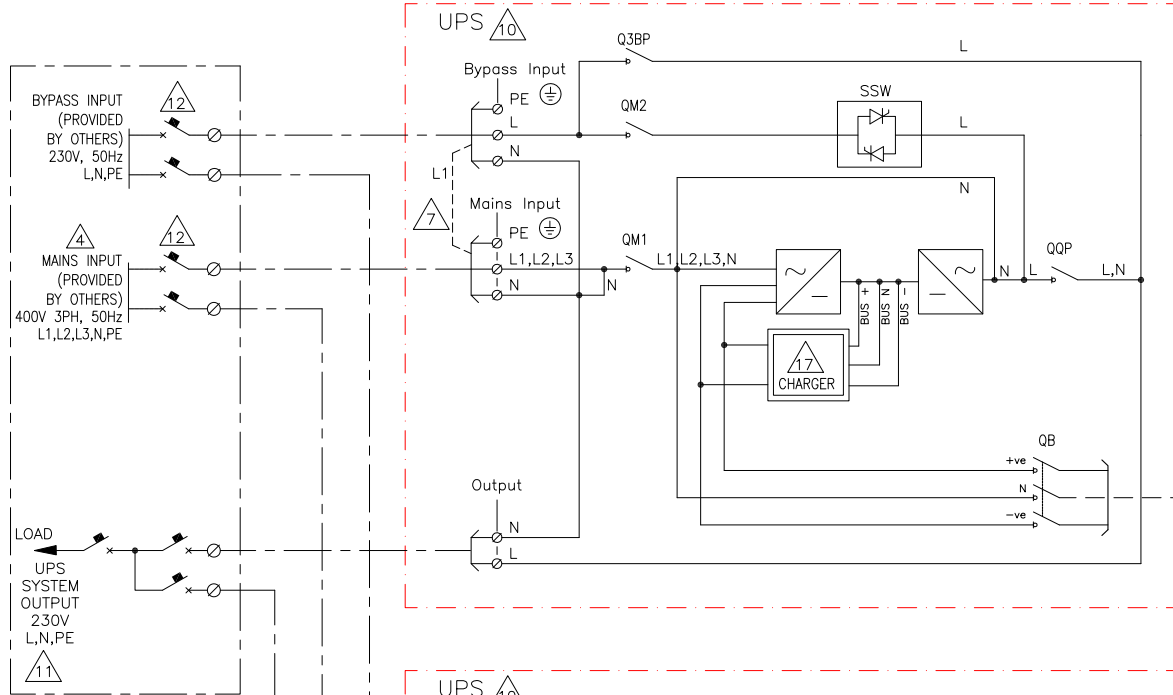
**DEVICE RATINGS (SCHNEIDER ELECTRIC MAKE)**  
**UPS**

G3HT30K3ILS	RATING (A)	DESCRIPTION	MODEL/ TYPE	NUMBER OF AUX. SWITCH (NC)
1(QOP)	100	AC SWITCH 4 POLE	APA15093	1
1(QB)	125	AC SWITCH 3 POLE	APA15059	1
2 (Q3BP) (QM2)	100	AC SWITCH 2 POLE	APA15091	1
1(QM1)	80	AC SWITCH 4 POLE	APA15022	0

BATTERY CABINET-1				
QFB	160	MCCB DC 3 POLE 750V 100kA, 24V DC TRIP UNIT	NSX160DC + 29410 + 29450	1

LEGEND:	
---	AC CABLE - PROVIDED BY OTHERS.
---	DC CABLE - PROVIDED BY OTHERS.

- NOTES:**
- INSTALLATION MUST COMPLY WITH ALL APPLICABLE LOCAL AND NATIONAL CODES.
  - PLEASE REFER TO APC by Schneider Electric PRODUCT MANUALS FOR DETAILS.
  - DRAWING DEPICTS POWER SYSTEM CONNECTIONS AND IS NOT REPRESENTATIVE OF PHYSICAL LAYOUT, PLEASE REFER TO MECHANICAL DRAWINGS FOR PHYSICAL LAYOUT.
  - 3x400/230V TN-S (PROVIDED BY OTHERS). FOR OTHER EARTHING PRINCIPLES, PLEASE CONTACT APC by Schneider Electric. RECOMMENDED UPSTREAM PROTECTION IS A MINIMUM RATING TO SUPPORT MAXIMUM CURRENT, WITHOUT SELECTIVITY. IF SELECTIVITY IS REQUIRED, PLEASE CONTACT APC by Schneider Electric.
  - ALL 3 PHASE AC POWER CABLEING IS L1, L2, L3, N, PE.
  - DC CABLEING TO BE 600V RATED, 3 WIRE.
  - JUMPERS ARE APPLICABLE FOR SINGLE MAINS, MUST BE REMOVED FOR DUAL MAINS.
  - UPS INPUT AND OUTPUT CABLES SHOULD BE SEGREGATED.
  - POWER WIRING AND CONTROL WIRING SHOULD BE SEGREGATED.
  - APPLICABLE UPS SKU NUMBERS LISTED IN SHEET-3.
  - SYSTEM OUTPUT FOR VARIOUS SKUs LISTED IN SHEET-3.
  - FOR SYSTEM INPUT OVER CURRENT PROTECTION REFER TO SHEET-3.
  - CABLE IS PART OF BATTERY CABINETS.
  - DRAWING SHOWN WITH MAXIMUM NUMBER OF BATTERY CABINETS.
  - FOR CABLING DIAGRAMS REFER TO PRODUCT MANUAL.
- G3HTFBAT IS AN EMPTY BATTERY CABINET WITH TEMPERATURE SENSOR (AT1Z) AND WITHOUT BREAKER, BATTERIES. (CUSTOMER CAN USE THEIR BREAKER & BATTERIES IN THE EMPTY BATTERY CABINET IN PLACE OF G3HTBAT2).
- FOR RECOMMENDED CABLE SIZES, REFER TO SHEET-3.
  - IMPROVED CHARGING CAPACITY FOR LONG BATTERY RUNTIMES.



THIS DRAWING AND SPECIFICATIONS HEREIN ARE THE PROPERTY OF SCHNEIDER ELECTRIC AND SHALL NOT BE COPIED, REPRODUCED OR USED IN WHOLE OR IN PART, AS THE BASIS FOR THE MANUFACTURE OR SALE OF ITEMS WITHOUT WRITTEN PERMISSION FROM SCHNEIDER ELECTRIC. THIS DRAWING IS BASED UPON LATEST AVAILABLE INFORMATION AND IS SUBJECT TO CHANGE WITHOUT NOTICE.



TITLE: GALAXY 300  
 Input: 400/230V AC 3PH DUAL MAINS  
 Output: 30kVA 230V 1PH  
 2 MODULE N+1 W/LONG BATTERY CHARGER  
 SYSTEM ONE LINE DIAGRAM

DWG NO: G3HT30K3IR2M2CLA-SD  
 DRAWN: BALAMURUGAN 14-MAR-16  
 ENGINEER: BIN-COMPPELL BAI 14-MAR-16  
 APPROVED: K ROY XU 14-MAR-16

REV: 2  
 ANGLE PROJECTION: N/A

## Galaxy 300<sup>®</sup> 10kVA to 30kVA UPS 2 Module N+1 (3 phase input and Single phase output) Site Planning Data

**Mains Input Voltage** : 400V AC 3Ph 50Hz  
**Bypass Input Voltage** : 230V AC 1Ph 50Hz

**Output Voltage** : 230V AC 1Ph 50Hz  
**Battery-Nominal Voltage** : +/-192V DC(16blocks), +/-180V DC (15blocks)

UPS Rating	SKU Number	System Mains Input (400V-3Ph, 50Hz)		System Bypass Input (230V-1Ph, 50Hz)	System Output		Battery Current(A)		Recommended External Input Over current Protection Device (Breaker)		Recommended External Output Over current Protection Device (Breaker)
		Nominal Current(A)	Maximum Current(A)	Nominal Current(A)	Nominal Ouput(kW)	Nominal Current(A)	16 Blocks	15 Blocks	Mains Input	Bypass Input	System output / Individual UPS Output
10kVA/ 8kW	G3HT10K3ILS	12.5	21.5	43.5	10kVA/ 8kW	43.5	23	25	C65H-D-4P-50A/ C60H-D-4P-50A	C120H-D-2P-80A	C65N-B-2P-25A/C60N-B-2P-25A C65N-C-2P-10A/C60N-C-2P-10A
15kVA/ 12kW	G3HT15K3ILS	19	27.6	65.2	15kVA/ 12kW	65.2	35	37		C120H-D-2P-125A	
20kVA/ 16kW	G3HT20K3ILS	25	34.2	87	20kVA/ 16kW	87	46	50		NSX250F TM200D-3P	
30kVA/ 24kW	G3HT30K3ILS	38	55.2	130.4	30kVA/ 24kW	130.4	70	74	C120H-D-4P-80A	NSX250F TM250D-3P	C65N-B-2P-50A/C60N-B-2P-50A C65N-C-2P-25A/C60N-C-2P-25A

**Notes.**

- Nominal Input current based on nominal mains voltage + batteries fully charged at rated load.
- Maximum Input current based on fully battery recharge + nominal mains voltage at rated load.
- Suggested input overcurrent protection based on continuous full load.
- Nominal battery voltage assumed to be 2.0 volts/ cell (lead technology)
- Over current protection device rating selection based on Nominal input current is acceptable provided battery recharge time is short.  
Consult APC by Schneider Electric for application specific assistance.
- The C65 series breakers must be used in China and the C60 series breakers must be used in rest of the world.

**Recommended Cable Sizes**

Description \ kVA	10kVA		15kVA		20kVA		30kVA	
	min	max	min	max	min	max	min	max
Mains/Utility input (mm <sup>2</sup> )	10	35	10	35	35	90	35	90
Mains Neutral input (mm <sup>2</sup> )	10	35	10	35	35	90	35	90
AC output (mm <sup>2</sup> )	16	35	25	35	35	90	70	90
Battery input (mm <sup>2</sup> ) 70°C wire	10	35	10	35	16	35	25	35
Bypass input (mm <sup>2</sup> )	16	35	25	35	35	90	70	90
Bypass Neutral input (mm <sup>2</sup> )	16	35	25	35	35	90	70	90

**Notes**

- The cable sizes are based on an environment with an ambient max temperature
- Only copper cables are considered.

THIS DRAWING AND SPECIFICATIONS HEREIN ARE THE PROPERTY OF SCHNEIDER ELECTRIC AND SHALL NOT BE COPIED, REPRODUCED OR USED IN WHOLE OR IN PART, AS THE BASIS FOR THE MANUFACTURE OR SALE OF ITEMS WITHOUT WRITTEN PERMISSION FROM SCHNEIDER ELECTRIC. THIS DRAWING IS BASED UPON LATEST AVAILABLE INFORMATION AND IS SUBJECT TO CHANGE WITHOUT NOTICE.



TITLE: GALAXY 300 Input: 400/230V AC 3PH DUAL MAINS Output: 10-30kVA 230V 1PH 2 MOD N+1 W/LONG BACKUP TIME CHARGER SITE PLANNING DATA	DWG NO: G3HT10K3I30R2M2CLA-SPD	REV: 1
DRAWN: BALAMURUGAN	20-APR-11	ANGLE
ENGINEER: K.WU	28-APR-11	PROJECTION:
PROJECT: SUBMITTAL DRAWINGS SHEET 3 OF 3	APPROVED: C.LARSEN/S.WAGH	N/A