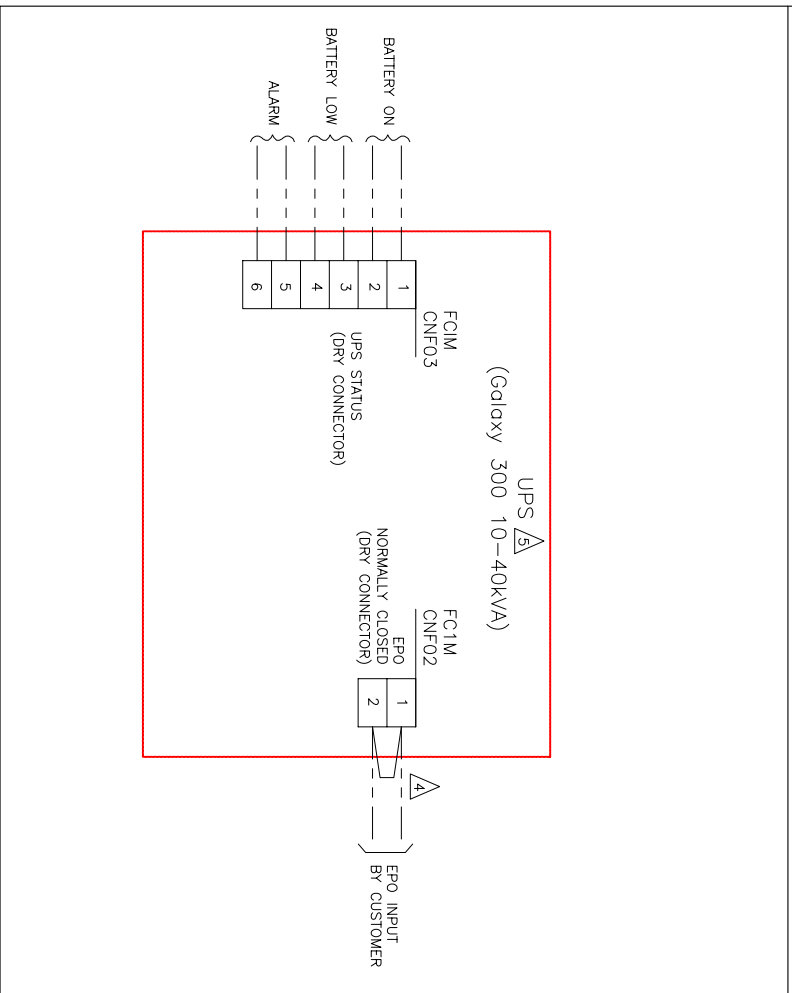


1 MODULE CAPACITY

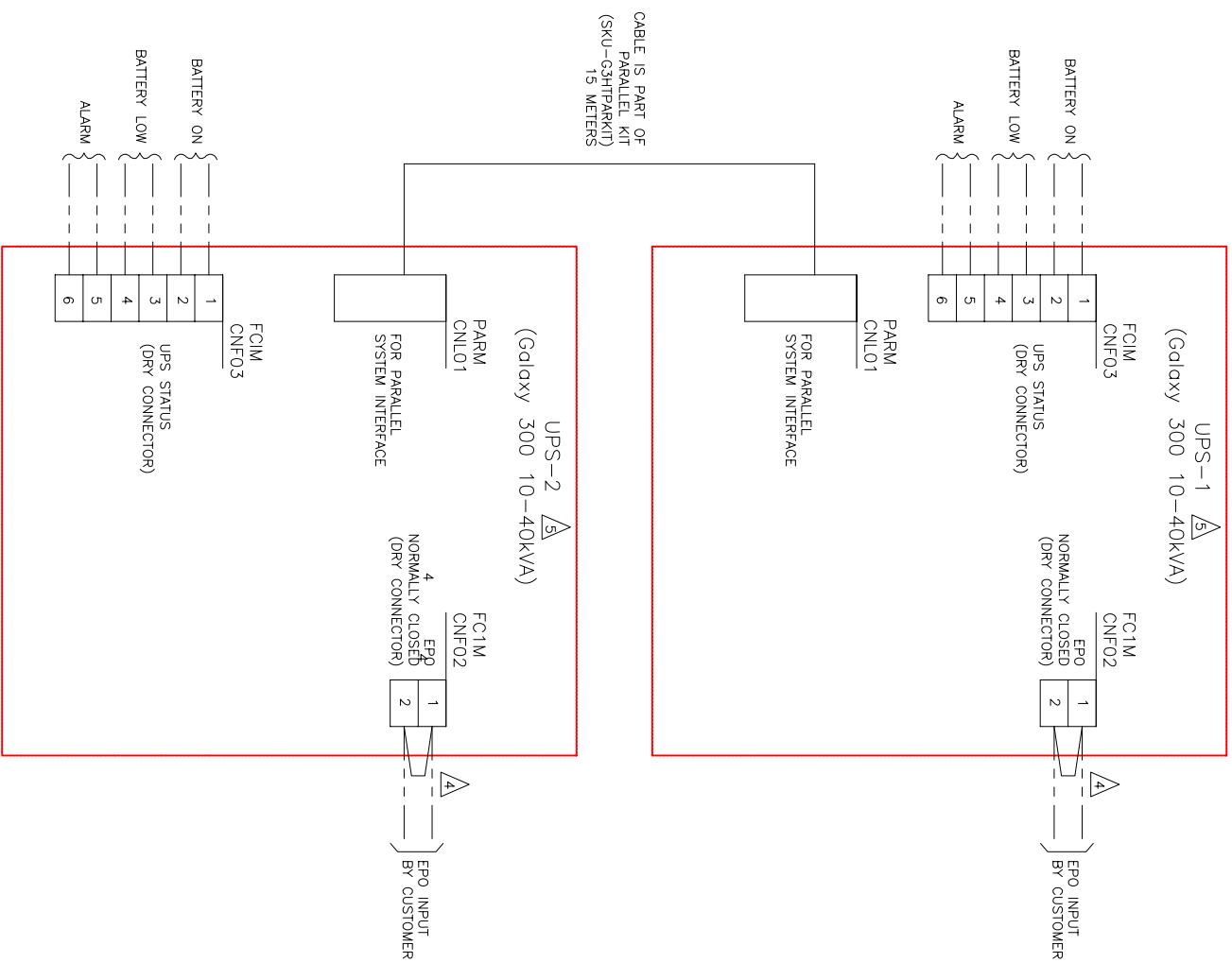


LEGEND: _____ AC CABLE - PROVIDED BY OTHERS.

- NOTES:
1. INSTALLATION MUST COMPLY WITH ALL APPLICABLE LOCAL AND NATIONAL CODES.
 2. PLEASE REFER TO APC by Schneider Electric PRODUCT MANUALS FOR DETAILS.
 3. DRAWING SHOWN WITH MAXIMUM NUMBER OF BATTERY CABINETS.
 - Δ 4. JUMPER NEEDS TO BE REMOVED DURING CUSTOMER EPO INPUT CONNECTION.
 - Δ 5. APPLICABLE UPS SKU NUMBERS

3-PHASE OUTPUT 1-PHASE OUTPUT	
G3HT10KHB1S	G3HT10K3B1S
G3HT10KHB2S	G3HT10K3B2S
G3HT10KH1S	G3HT10K3S
G3HT15KHB1S	G3HT15K3B1S
G3HT15KHB2S	G3HT15K3B2S
G3HT15KH1S	G3HT15K3S
G3HT20KHB1S	G3HT20K3B1S
G3HT20KHB2S	G3HT20K3B2S
G3HT20KH1S	G3HT20K3S
G3HT30KHB1S	G3HT30K3B1S
G3HT30KHB2S	G3HT30K3B2S
G3HT30KH1S	G3HT30K3S
G3HT40KHB1S	
G3HT40KHB2S	
G3HT40KH1S	

2 MODULE N+1



THIS DRAWING AND SPECIFICATIONS HEREBY ARE THE PROPERTY OF SCHNEIDER ELECTRIC AND SHALL NOT BE COPIED, REPRODUCED OR USED IN WHOLE OR IN PART, AS THE BASIS FOR THE MANUFACTURE OR SALE OF ITEMS WITHOUT WRITTEN PERMISSION FROM SCHNEIDER ELECTRIC. THIS DRAWING IS BASED UPON LATEST AVAILABLE INFORMATION AND IS SUBJECT TO CHANGE WITHOUT NOTICE.



TITLE:	GALAXY 300	DWG. NO.:	G3HT10K40-WD	REV.:	0
Input:	400/230V AC 3PH SINGLE/DUAL MANS	DRAWN:	BALAMURUGAN	25-AUG-10	ANGLE
Output:	10-40kVA 400/3PH/10-30kVA 230V /PH	ENGINEER:	JKONG	25-AUG-10	PROJECTION
PROJECT:	SUBMITTAL DRAWINGS SHEET 1 OF 1	APPROVED:	CLARESEV/SW6H	25-AUG-10	N/A