

LEGEND:
 - - - - - AC CABLE - PROVIDED BY OTHERS.

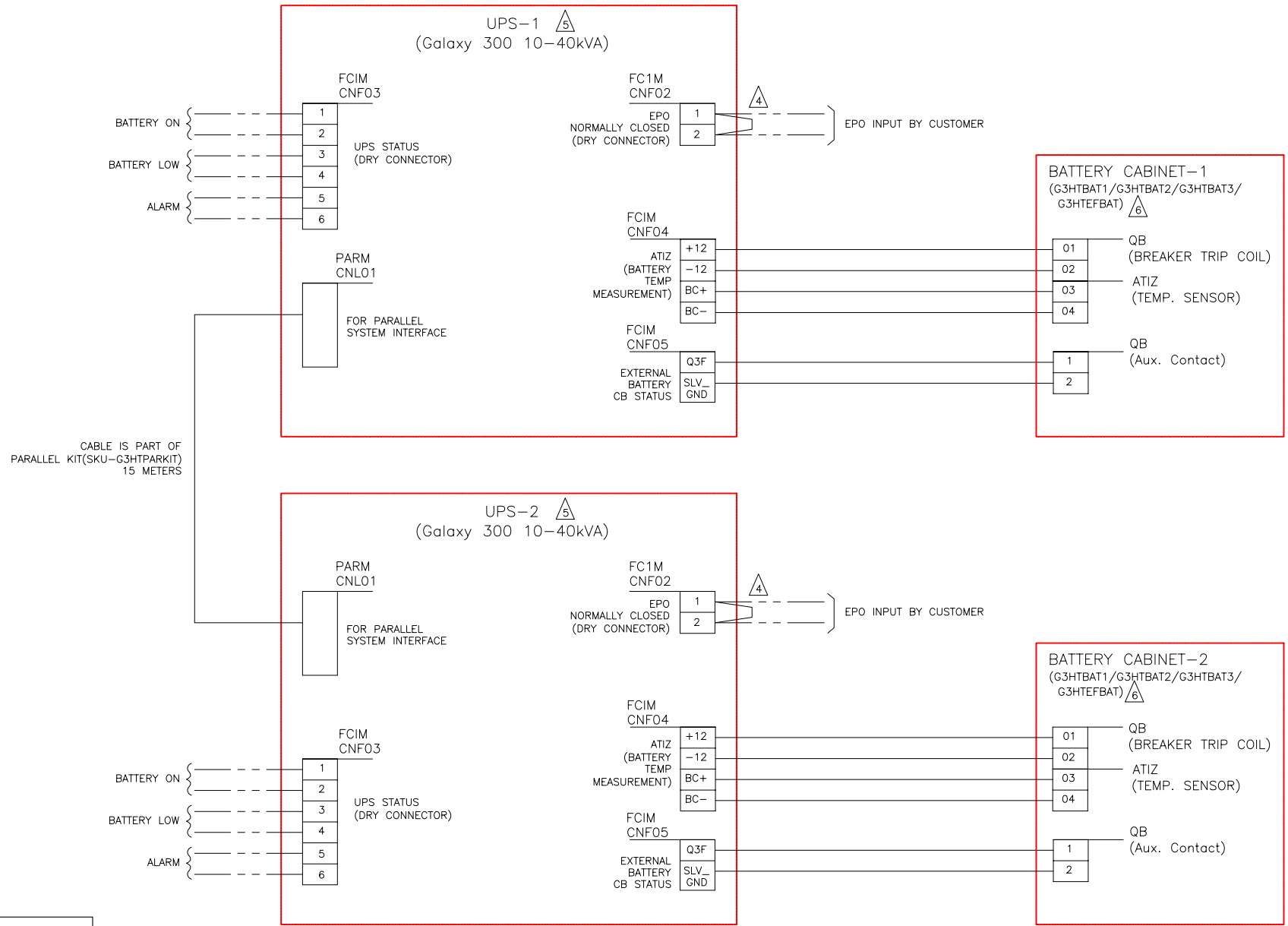
NOTES:

1. INSTALLATION MUST COMPLY WITH ALL APPLICABLE LOCAL AND NATIONAL CODES.
2. PLEASE REFER TO APC by Schneider Electric PRODUCT MANUALS FOR DETAILS.
3. DRAWING SHOWN WITH MAXIMUM NUMBER OF BATTERY CABINETS.
- △ 4. JUMPER NEEDS TO BE REMOVED DURING CUSTOMER EPO INPUT CONNECTION.
- △ 5. APPLICABLE UPS SKU NUMBERS
 G3HT10KHLS/G3HT15KHLS/G3HT20KHLS/G3HT30KHLS/G3HT40KHLS/
 G3HT10K3ILS/G3HT15K3ILS/G3HT20K3ILS/G3HT30K3ILS.
- △ 6. G3HTEFBAT IS THE EMPTY BATTERY CABINET,
 THE CIRCUIT BREAKER AND BATTERIES ARE CUSTOMER'S SCOPE.

THIS DRAWING AND SPECIFICATIONS HEREIN ARE THE PROPERTY OF SCHNEIDER ELECTRIC AND SHALL NOT BE COPIED, REPRODUCED OR USED IN WHOLE OR IN PART, AS THE BASIS FOR THE MANUFACTURE OR SALE OF ITEMS WITHOUT WRITTEN PERMISSION FROM SCHNEIDER ELECTRIC. THIS DRAWING IS BASED UPON LATEST AVAILABLE INFORMATION AND IS SUBJECT TO CHANGE WITHOUT NOTICE.



TITLE:	GALAXY 300 Input: 400/230V AC 3PH SINGLE/DUAL MAINS Output: 10-40kVA 400V 3PH/10-30kVA 230V 1PH 1 MODULE CAPACITY UPS WITH XR BATT CAB SYSTEM WIRING DIAGRAM	DWG NO:	G3HT10K40C1CLA-WD	REV:	0
DRAWN:	BALAMURUGAN	DATE:	25-AUG-10	ANGLE:	
ENGINEER:	J.KONG	DATE:	25-AUG-10	PROJECTION:	
PROJECT:	SUBMITTAL DRAWINGS	SHEET:	1 OF 2	APPROVED:	C.LARSEN/S.WAGH



THIS DRAWING AND SPECIFICATIONS HEREIN ARE THE PROPERTY OF SCHNEIDER ELECTRIC AND SHALL NOT BE COPIED, REPRODUCED OR USED IN WHOLE OR IN PART, AS THE BASIS FOR THE MANUFACTURE OR SALE OF ITEMS WITHOUT WRITTEN PERMISSION FROM SCHNEIDER ELECTRIC. THIS DRAWING IS BASED UPON LATEST AVAILABLE INFORMATION AND IS SUBJECT TO CHANGE WITHOUT NOTICE.



TITLE: GALAXY 300
Input: 400/230V AC 3PH SINGLE/DUAL MAINS
Output: 10-40kVA 400V 3PH/10-30kVA 230V 1PH
2 MOD N+1 UPS WITH XR BATT CABINET
SYSTEM WIRING DIAGRAM

PROJECT: SUBMITTAL DRAWINGS SHEET 2 OF 2

DWG NO: G3HT10K40R2CLA-WD
DRAWN: BALAMURUGAN
ENGINEER: J.KONG
APPROVED: C.LARSEN/S.WAGH

REV: 0
ANGLE
PROJECTION:
N/A