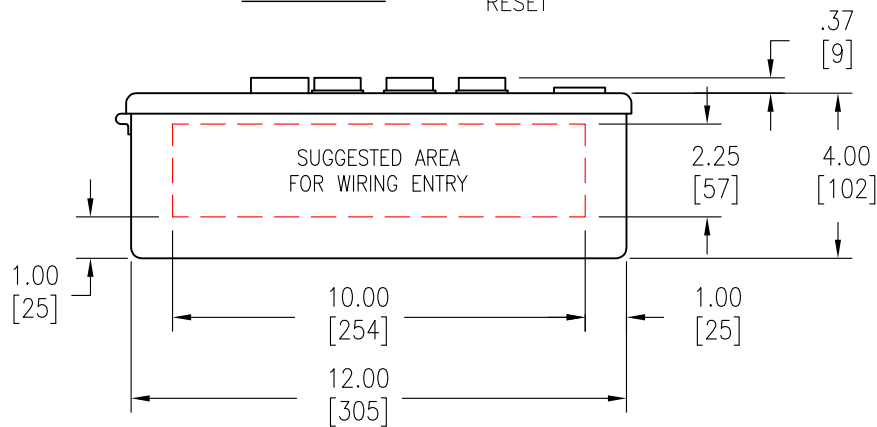


FRONT VIEW



BOTTOM VIEW

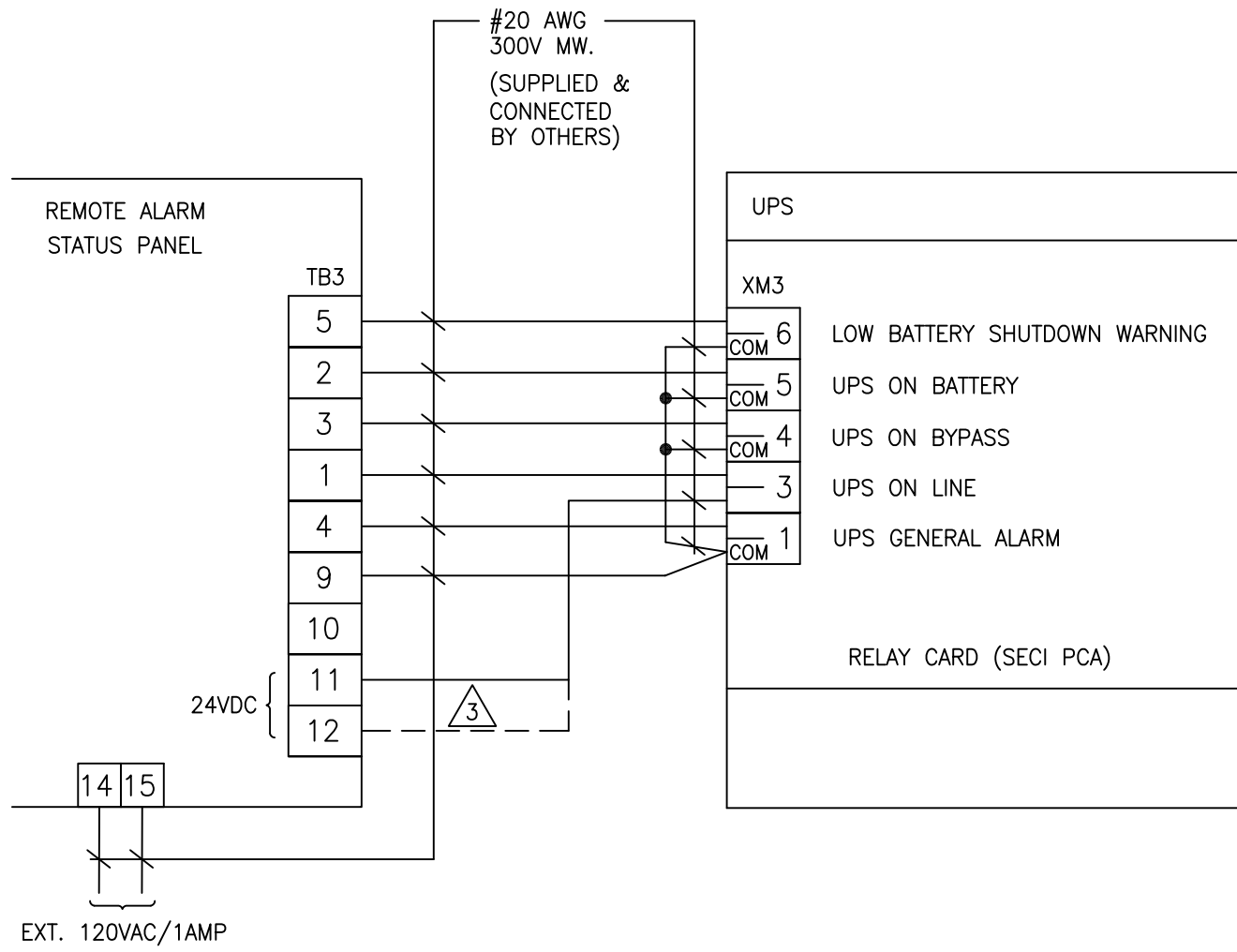
NOTES:

1. INSTALLATION SHALL COMPLY WITH ALL APPLICABLE LOCAL AND NATIONAL CODES.
2. PLEASE REFER TO PRODUCT MANUALS FOR ADDITIONAL DETAILS.
3. ALL DIMENSIONS ARE IN INCHES [MILLIMETERS], UNLESS OTHERWISE SPECIFIED.
4. TOTAL WEIGHT OF UNIT IS 20 LBS [9.0 KG].
5. UNLESS OTHERWISE SPECIFIED ALL DIMENSIONS ARE TO OUTSIDE EDGE OF THE CABINET, EXCLUDING DOOR LOCK, KEYS AND ALL HARDWARE.
6. COLOR: MEDIUM GRAY.
7. UNLESS OTHERWISE SPECIFIED ALL INTERCONNECTION WIRES SHALL BE SUPPLIED AND INSTALLED BY THE CUSTOMER.
8. REFERENCE ASSEMBLY NO. 76-161408-01.
9. APPLICABLE PRODUCT(S):  
GALAXY 3000, 4000, 5000, PW225, EPS 3000 AND COMET.

THIS DRAWING AND SPECIFICATIONS HEREIN ARE THE PROPERTY OF SCHNEIDER ELECTRIC AND SHALL NOT BE COPIED, REPRODUCED OR USED IN WHOLE OR IN PART, AS THE BASIS FOR THE MANUFACTURE OR SALE OF ITEMS WITHOUT WRITTEN PERMISSION FROM SCHNEIDER ELECTRIC. THIS DRAWING IS BASED UPON LATEST AVAILABLE INFORMATION AND IS SUBJECT TO CHANGE WITHOUT NOTICE.



TITLE:		DWG NO:	90-133129-01	REV.	1
INSTALLATION AND OUTLINE DRAWING SINGLE UPS REMOTE ALARM STATUS PANEL (RASP) MECHANICAL LAYOUT		DRAWN BY:	V BUSH	20-JAN-11	THIRD
PROJECT: SUBMITTAL DRAWINGS		ENGINEER:	S DAS	20-JAN-11	ANGLE
SHEET 1 OF 3		APPROVED BY:	M MAISSY	20-JAN-11	PROJ



INTERCONNECTION DIAGRAM  
GALAXY 3000, 4000, 5000, PW225 AND COMET W/SECI

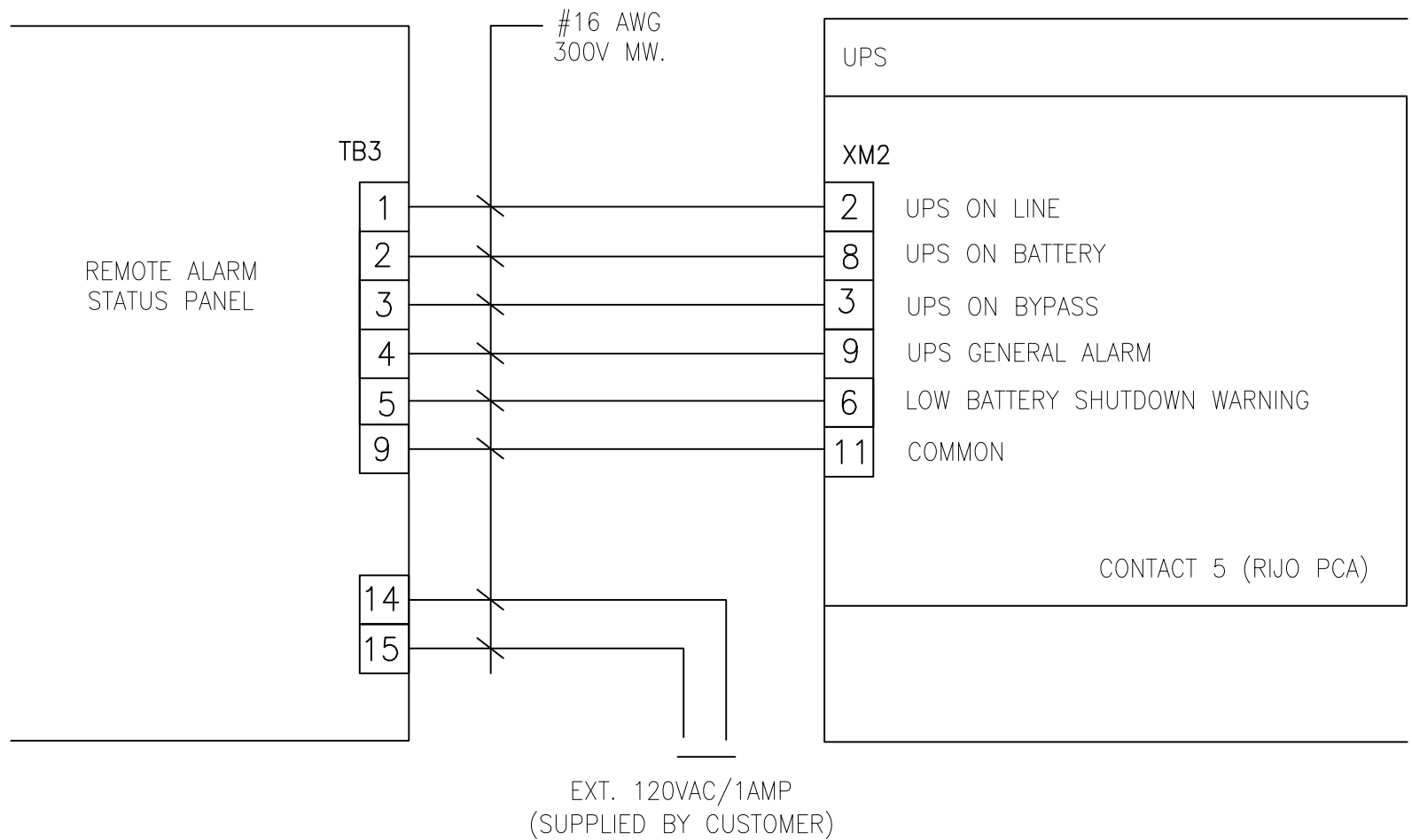
**NOTES:**

1. INSTALLATION SHALL COMPLY WITH ALL APPLICABLE NATIONAL AND LOCAL CODES.
2. PLEASE REFER TO PRODUCT MANUALS FOR ADDITIONAL DETAILS.
- △3. CONNECT TO EITHER TB3-11 OR TB3-12 IN RASP.
4. THIS INSTALLATION REQUIRES THAT THE UPS SHALL BE EQUIPPED WITH "SECI" PCA.
5. REFER TO THE SPECIFIC RASP INSTALLATION DRAWING FOR SINGLE UPS.

THIS DRAWING AND SPECIFICATIONS HEREIN ARE THE PROPERTY OF SCHNEIDER ELECTRIC AND SHALL NOT BE COPIED, REPRODUCED OR USED IN WHOLE OR IN PART, AS THE BASIS FOR THE MANUFACTURE OR SALE OF ITEMS WITHOUT WRITTEN PERMISSION FROM SCHNEIDER ELECTRIC. THIS DRAWING IS BASED UPON LATEST AVAILABLE INFORMATION AND IS SUBJECT TO CHANGE WITHOUT NOTICE.



TITLE:		DWG NO:	REV.
INSTALLATION AND OUTLINE DRAWING SINGLE UPS REMOTE ALARM STATUS PANEL (RASP) INTERCONNECTION DIAGRAM - 1		90-133129-01	1
PROJECT: SUBMITTAL DRAWINGS	SHEET 2 OF 3	DRAWN BY:	THIRD
		V BUSH	20-JAN-11
		ENGINEER:	ANGLE
		S DAS	20-JAN-11
		APPROVED BY:	PROJ
		M MAISSY	20-JAN-11



## EPS-3000 AND COMET INTERCONNECTION DIAGRAM

- NOTES:**
1. INSTALLATION SHALL COMPLY WITH ALL APPLICABLE NATIONAL AND LOCAL CODES.
  2. PLEASE REFER TO PRODUCT MANUALS FOR ADDITIONAL DETAILS.
  3. THIS INSTALLATION REQUIRES THAT THE UPS SHALL BE EQUIPPED WITH CONTACT 5 OPTION.
  4. REFER TO THE SPECIFIC RASP INSTALLATION DRAWING.

THIS DRAWING AND SPECIFICATIONS HEREIN ARE THE PROPERTY OF SCHNEIDER ELECTRIC AND SHALL NOT BE COPIED, REPRODUCED OR USED IN WHOLE OR IN PART, AS THE BASIS FOR THE MANUFACTURE OR SALE OF ITEMS WITHOUT WRITTEN PERMISSION FROM SCHNEIDER ELECTRIC. THIS DRAWING IS BASED UPON LATEST AVAILABLE INFORMATION AND IS SUBJECT TO CHANGE WITHOUT NOTICE.



TITLE:		DWG NO:	REV.
INSTALLATION AND OUTLINE DRAWING SINGLE UPS REMOTE ALARM STATUS PANEL (RASP) INTERCONNECTION DIAGRAM - 2		90-133129-01	1
DRAWN BY:	V BUSH	20-JAN-11	THIRD
ENGINEER:	S DAS	20-JAN-11	ANGLE
PROJECT: SUBMITTAL DRAWINGS	SHEET 3 OF 3	APPROVED BY:	M MAISSY 20-JAN-11
			PROJ