

SUPPLIED BY SCHNEIDER ELECTRIC & CONNECTED BY CUSTOMER

SUPPLIED BY SCHNEIDER ELECTRIC & CONNECTED BY CUSTOMER (ADJACENT VERSION)
 SUPPLIED & CONNECTED BY CUSTOMER (REMOTE VERSION)

SUPPLIED BY SCHNEIDER ELECTRIC & CONNECTED BY CUSTOMER

NOTES: UNLESS OTHERWISE SPECIFIED.

1. INSTALLATION SHALL COMPLY WITH ALL APPLICABLE NATIONAL AND LOCAL CODES.
2. PLEASE REFER TO PRODUCT MANUALS FOR ADDITIONAL DETAILS.
3. ALL EXTERNAL WIRING BY CUSTOMER.
4. CUSTOMER IS RESPONSIBLE FOR CONNECTING ALL SCHNEIDER ELECTRIC SUPPLIED CABLES.
5. POWER AND CONTROL CABLES SHALL BE IN SEPARATE CONDUITS.
- △6. UPSTREAM PROTECTIVE DEVICE REQUIRED. PROVIDED BY CUSTOMER.
- △7. ONE CABINET SHOWN. FOR UP TO FOUR (4) BATTERY ENCLOSURE CONNECTIONS, REFER TO DRAWINGS 90-174701-00 OR 90-174701-01.
- △8. FOR STAND ALONE BATTERY CABINETS WITH TOP ENTRY SYSTEM CONFIGURATION, DC CONNECTION IS FED THROUGH THE TOP/BOTTOM ENTRY.
- △9. THE OUTPUT NEUTRAL IS BONDED TO GROUND.
10. REFER TO DRAWING NO. 90-174700-00-ED FOR AND ELECTRICAL DATA, VARIOUS INPUT SOURCE REQUIREMENT AND HIGH RESISTANCE GROUNDING APPLICATION DETAILS.

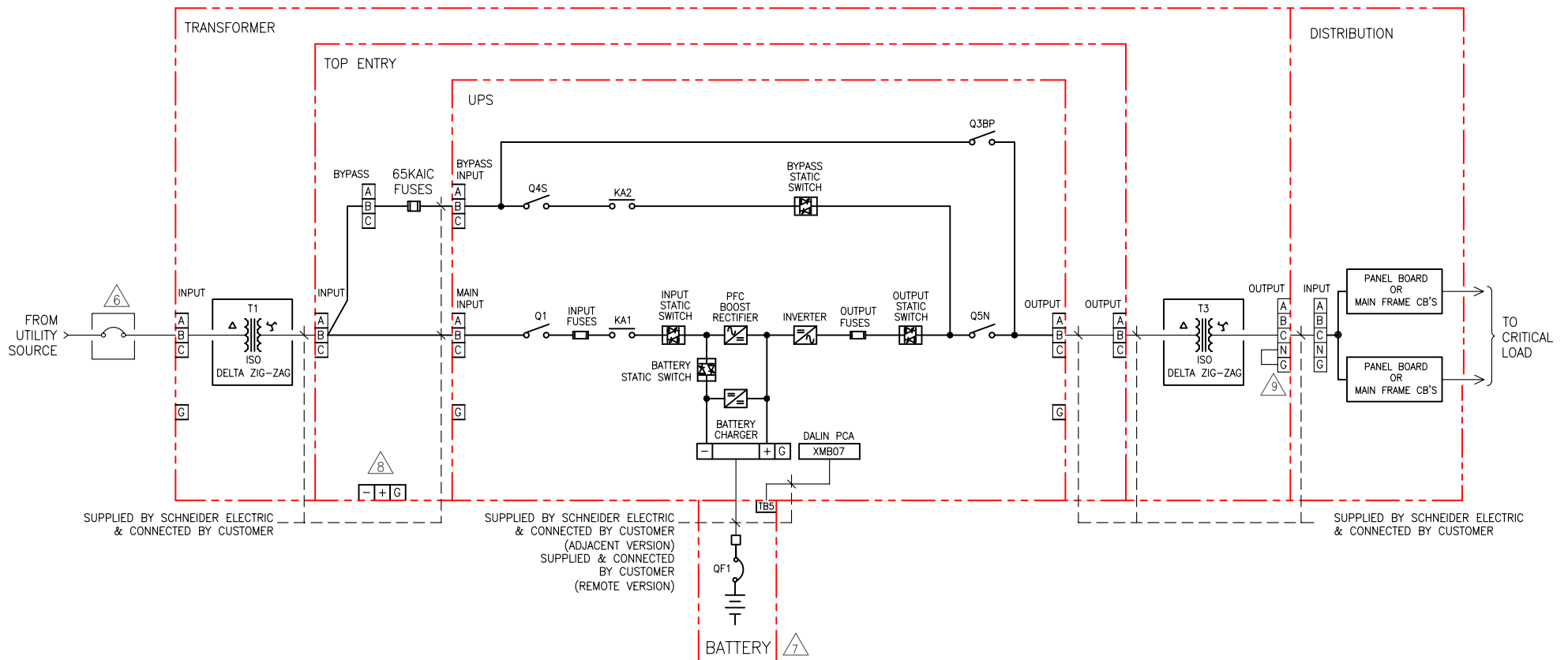
UPS TOP ENTRY WITH BATTERY, MBC, INPUT-OUTPUT ISOLATION XFMR'S & DISTRIBUTION

THIS DRAWING AND SPECIFICATIONS HEREIN ARE THE PROPERTY OF SCHNEIDER ELECTRIC AND SHALL NOT BE COPIED, REPRODUCED OR USED IN WHOLE OR IN PART, AS THE BASIS FOR THE MANUFACTURE OR SALE OF ITEMS WITHOUT WRITTEN PERMISSION FROM SCHNEIDER ELECTRIC. THIS DRAWING IS BASED UPON LATEST AVAILABLE INFORMATION AND IS SUBJECT TO CHANGE WITHOUT NOTICE.



TITLE: GALAXY 5000 40-130kVA UPS
 Input/Output :- 480V/480V, 480V/208V, 208V/208V, 220V/220V, 600V/600V, 600V/208V
 TOP/BOT ENTRY W/BATT MBC IN-OUT XFMR'S&DB SYSTEM ONE LINE DIAGRAM

DWG NO: 90-174769-00-SD	REV. 0
DRAWN: B.KHOLOUSI/BALAMURUGAN	10-MAR-10
ENGINEER: I.KENNEDY	20-AUG-08
APPROVED: B.SHERIDAN/F.DIOSA	20-AUG-08



NOTES: UNLESS OTHERWISE SPECIFIED.

1. INSTALLATION SHALL COMPLY WITH ALL APPLICABLE NATIONAL AND LOCAL CODES.
2. PLEASE REFER TO PRODUCT MANUALS FOR ADDITIONAL DETAILS.
3. ALL EXTERNAL WIRING BY CUSTOMER.
4. CUSTOMER IS RESPONSIBLE FOR CONNECTING ALL SCHNEIDER ELECTRIC SUPPLIED CABLES.
5. POWER AND CONTROL CABLES SHALL BE IN SEPARATE CONDUITS.
- △ 6. UPSTREAM PROTECTIVE DEVICE REQUIRED. PROVIDED BY CUSTOMER.
- △ 7. ONE CABINET SHOWN. FOR UP TO FOUR (4) BATTERY ENCLOSURE CONNECTIONS, REFER TO DRAWINGS 90-174701-00 OR 90-174701-01.
- △ 8. FOR STAND ALONE BATTERY CABINETS WITH TOP ENTRY SYSTEM CONFIGURATION, DC CONNECTION IS FED THROUGH THE TOP/BOTTOM ENTRY.
- △ 9. THE OUTPUT NEUTRAL IS BONDED TO GROUND.
10. REFER TO DRAWING NO. 90-174700-00-ED FOR AND ELECTRICAL DATA, VARIOUS INPUT SOURCE REQUIREMENT AND HIGH RESISTANCE GROUNDING APPLICATION DETAILS.

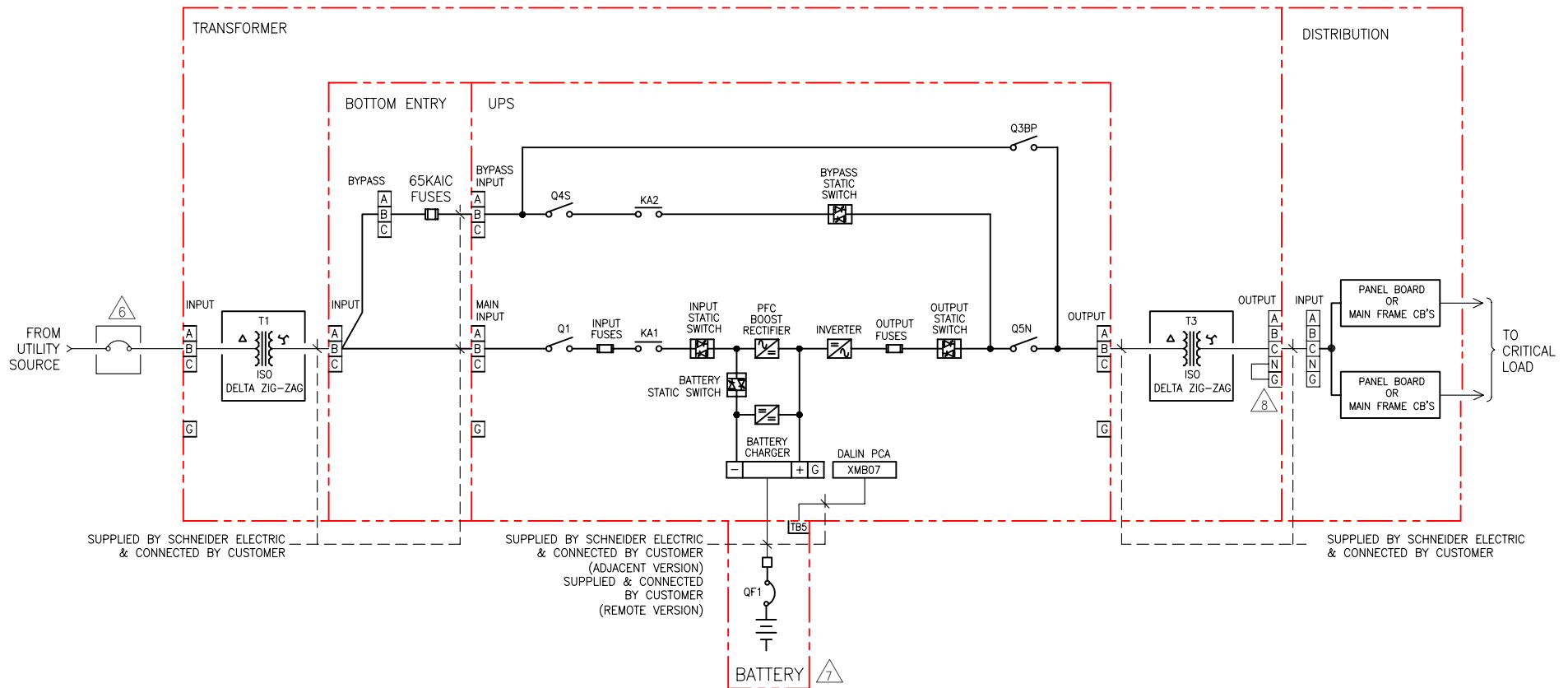
UPS TOP ENTRY WITH BATTERY, MBC, KAIC INPUT-OUTPUT ISOLATION XFMR'S & DISTRIBUTION

THIS DRAWING AND SPECIFICATIONS HEREIN ARE THE PROPERTY OF SCHNEIDER ELECTRIC AND SHALL NOT BE COPIED, REPRODUCED OR USED IN WHOLE OR IN PART, AS THE BASIS FOR THE MANUFACTURE OR SALE OF ITEMS WITHOUT WRITTEN PERMISSION FROM SCHNEIDER ELECTRIC. THIS DRAWING IS BASED UPON LATEST AVAILABLE INFORMATION AND IS SUBJECT TO CHANGE WITHOUT NOTICE.



TITLE: GALAXY 5000 40-130kVA UPS
 Input/Output :- 480V/480V, 480V/208V,
 208V/208V, 220V/220V, 600V/600V, 600V/208V
 TOP/BOT ENTRY W/BATT MBC IN-OUT XFMR'S&DB
 SYSTEM ONE LINE DIAGRAM

DWG NO: 90-174769-01-SD	REV. 0
DRAWN: B.KHOLOUSI/BALAMURUGAN	10-MAR-10
ENGINEER: I.KENNEDY	20-AUG-08
APPROVED: B.SHERIDAN/F.DIOSA	20-AUG-08
PROJECT: SUBMITTAL DRAWINGS SHEET 2 OF 6	PROJECTION N.A.



NOTES: UNLESS OTHERWISE SPECIFIED.

1. INSTALLATION SHALL COMPLY WITH ALL APPLICABLE NATIONAL AND LOCAL CODES.
2. PLEASE REFER TO PRODUCT MANUALS FOR ADDITIONAL DETAILS.
3. ALL EXTERNAL WIRING BY CUSTOMER.
4. CUSTOMER IS RESPONSIBLE FOR CONNECTING ALL SCHNEIDER ELECTRIC SUPPLIED CABLES.
5. POWER AND CONTROL CABLES SHALL BE IN SEPARATE CONDUITS.
6. UPSTREAM PROTECTIVE DEVICE REQUIRED. PROVIDED BY CUSTOMER.
7. ONE CABINET SHOWN. FOR UP TO FOUR (4) BATTERY ENCLOSURE CONNECTIONS, REFER TO DRAWINGS 90-174701-00 OR 90-174701-01.
8. THE OUTPUT NEUTRAL IS BONDED TO GROUND.
9. REFER TO DRAWING NO. 90-174700-00-ED FOR AND ELECTRICAL DATA, VARIOUS INPUT SOURCE REQUIREMENT AND HIGH RESISTANCE GROUNDING APPLICATION DETAILS.

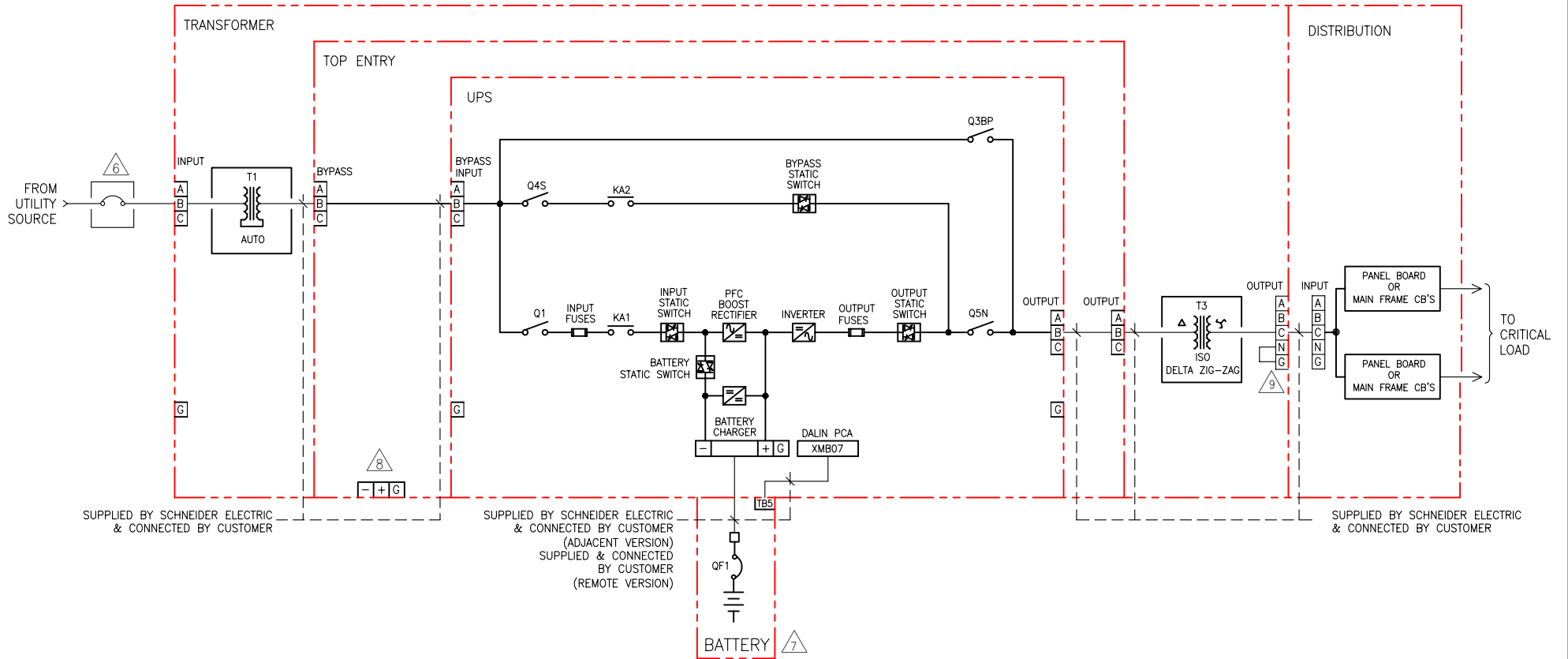
UPS BOTTOM ENTRY WITH BATTERY, MBC, KAIC INPUT-OUTPUT ISOLATION XFMR'S & DISTRIBUTION

THIS DRAWING AND SPECIFICATIONS HEREIN ARE THE PROPERTY OF SCHNEIDER ELECTRIC AND SHALL NOT BE COPIED, REPRODUCED OR USED IN WHOLE OR IN PART, AS THE BASIS FOR THE MANUFACTURE OR SALE OF ITEMS WITHOUT WRITTEN PERMISSION FROM SCHNEIDER ELECTRIC. THIS DRAWING IS BASED UPON LATEST AVAILABLE INFORMATION AND IS SUBJECT TO CHANGE WITHOUT NOTICE.



TITLE: GALAXY 5000 40-130kVA UPS
 Input/Output :- 480V/480V, 480V/208V,
 208V/208V, 220V/220V, 600V/600V, 600V/208V
 TOP/BOT ENTRY W/BATT MBC IN-OUT XFMR'S&DB
 SYSTEM ONE LINE DIAGRAM

DWG NO: 90-174769-02-SD	REV: 0
DRAWN: B.KHOLOUSI/BALAMURUGAN	10-MAR-10
ENGINEER: I.KENNEDY	20-AUG-08
APPROVED: B.SHERIDAN/F.DIOSA	20-AUG-08
PROJECT: SUBMITTAL DRAWINGS SHEET 3 OF 6	PROJECTION: N.A



NOTES: UNLESS OTHERWISE SPECIFIED.

1. INSTALLATION SHALL COMPLY WITH ALL APPLICABLE NATIONAL AND LOCAL CODES.
2. PLEASE REFER TO PRODUCT MANUALS FOR ADDITIONAL DETAILS.
3. ALL EXTERNAL WIRING BY CUSTOMER.
4. CUSTOMER IS RESPONSIBLE FOR CONNECTING ALL SCHNEIDER ELECTRIC SUPPLIED CABLES.
5. POWER AND CONTROL CABLES SHALL BE IN SEPARATE CONDUITS.
- △6. UPSTREAM PROTECTIVE DEVICE REQUIRED. PROVIDED BY CUSTOMER.
- △7. ONE CABINET SHOWN. FOR UP TO FOUR (4) BATTERY ENCLOSURE CONNECTIONS, REFER TO DRAWINGS 90-174701-00 OR 90-174701-01.
- △8. FOR STAND ALONE BATTERY CABINETS WITH TOP ENTRY SYSTEM CONFIGURATION, DC CONNECTION IS FED THROUGH THE TOP/BOTTOM ENTRY.
- △9. THE OUTPUT NEUTRAL IS BONDED TO GROUND.
10. REFER TO DRAWING NO. 90-174700-00-ED FOR AND ELECTRICAL DATA, VARIOUS INPUT SOURCE REQUIREMENT AND HIGH RESISTANCE GROUNDING APPLICATION DETAILS.

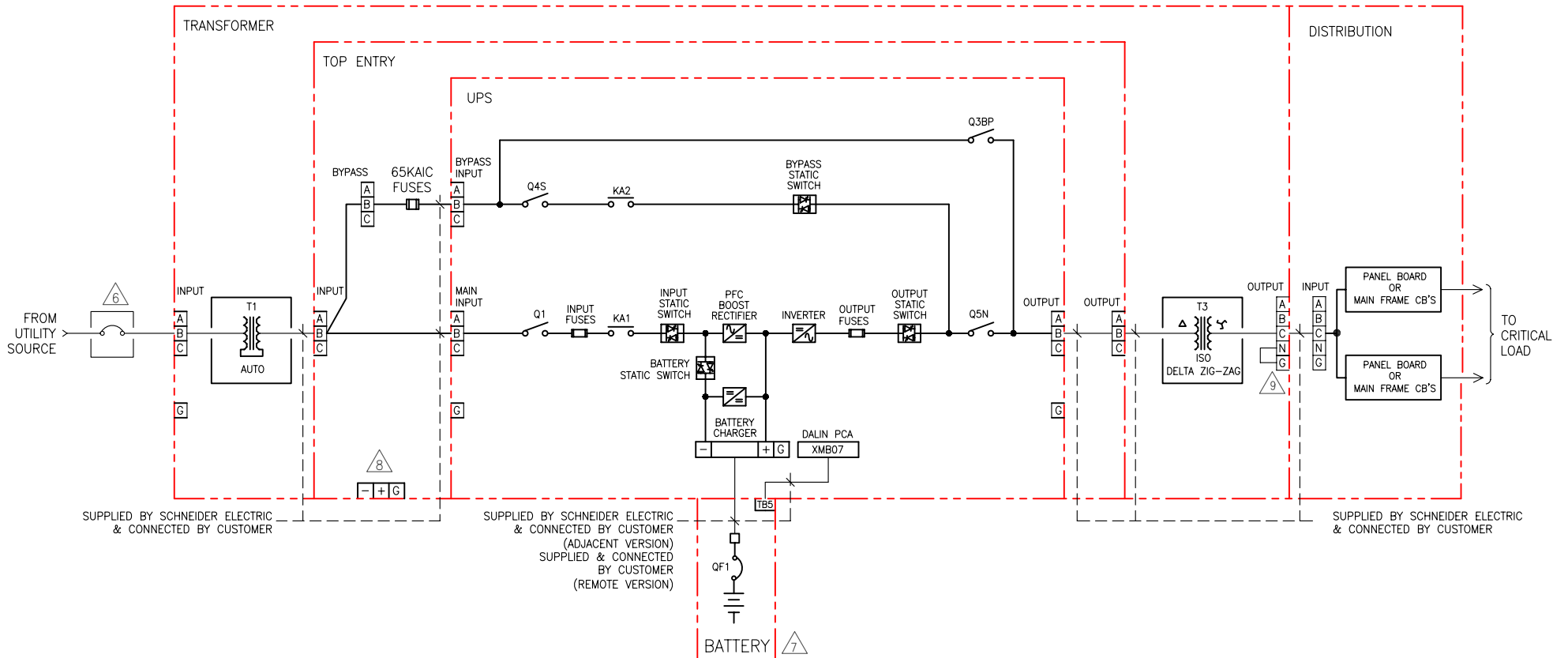
UPS TOP ENTRY WITH BATTERY, MBC, INPUT-AUTO XFMR, OUTPUT ISO XFMR & DISTRIBUTION

THIS DRAWING AND SPECIFICATIONS HEREIN ARE THE PROPERTY OF SCHNEIDER ELECTRIC AND SHALL NOT BE COPIED, REPRODUCED OR USED IN WHOLE OR IN PART, AS THE BASIS FOR THE MANUFACTURE OR SALE OF ITEMS WITHOUT WRITTEN PERMISSION FROM SCHNEIDER ELECTRIC. THIS DRAWING IS BASED UPON LATEST AVAILABLE INFORMATION AND IS SUBJECT TO CHANGE WITHOUT NOTICE.



TITLE: GALAXY 5000 40-130kVA UPS
 Input/Output :- 480V/480V, 480V/208V,
 208V/208V, 220V/220V, 600V/600V, 600V/208V
 TOP/BOT ENTRY W/BAIT MBC IN-OUT XFMR5&DB
 SYSTEM ONE LINE DIAGRAM

DWG NO: 90-174769-03-SD	REV. 0
DRAWN: B.KHOLOUSI/BALAMURUGAN	10-MAR-10
ENGINEER: I.KENNEDY	20-AUG-08
APPROVED: B.SHERIDAN/F.DIOSA	20-AUG-08
PROJECT: SUBMITTAL DRAWINGS SHEET 4 OF 6	PROJECTION N.A.



SUPPLIED BY SCHNEIDER ELECTRIC & CONNECTED BY CUSTOMER

SUPPLIED BY SCHNEIDER ELECTRIC & CONNECTED BY CUSTOMER (ADJACENT VERSION)
 SUPPLIED & CONNECTED BY CUSTOMER (REMOTE VERSION)

SUPPLIED BY SCHNEIDER ELECTRIC & CONNECTED BY CUSTOMER

NOTES: UNLESS OTHERWISE SPECIFIED.

1. INSTALLATION SHALL COMPLY WITH ALL APPLICABLE NATIONAL AND LOCAL CODES.
2. PLEASE REFER TO PRODUCT MANUALS FOR ADDITIONAL DETAILS.
3. ALL EXTERNAL WIRING BY CUSTOMER.
4. CUSTOMER IS RESPONSIBLE FOR CONNECTING ALL SCHNEIDER ELECTRIC SUPPLIED CABLES.
5. POWER AND CONTROL CABLES SHALL BE IN SEPARATE CONDUITS.
- △6. UPSTREAM PROTECTIVE DEVICE REQUIRED. PROVIDED BY CUSTOMER.
- △7. ONE CABINET SHOWN. FOR UP TO FOUR (4) BATTERY ENCLOSURE CONNECTIONS, REFER TO DRAWINGS 90-174701-00 OR 90-174701-01.
- △8. FOR STAND ALONE BATTERY CABINETS WITH TOP ENTRY SYSTEM CONFIGURATION, DC CONNECTION IS FED THROUGH THE TOP/BOTTOM ENTRY.
- △9. THE OUTPUT NEUTRAL IS BONDED TO GROUND.
10. REFER TO DRAWING NO. 90-174700-00-ED FOR AND ELECTRICAL DATA, VARIOUS INPUT SOURCE REQUIREMENT AND HIGH RESISTANCE GROUNDING APPLICATION DETAILS.

UPS TOP ENTRY WITH BATTERY, MBC, KAIC INPUT-AUTO XFMR, OUTPUT ISO XFMR & DISTRIBUTION

THIS DRAWING AND SPECIFICATIONS HEREIN ARE THE PROPERTY OF SCHNEIDER ELECTRIC AND SHALL NOT BE COPIED, REPRODUCED OR USED IN WHOLE OR IN PART, AS THE BASIS FOR THE MANUFACTURE OR SALE OF ITEMS WITHOUT WRITTEN PERMISSION FROM SCHNEIDER ELECTRIC. THIS DRAWING IS BASED UPON LATEST AVAILABLE INFORMATION AND IS SUBJECT TO CHANGE WITHOUT NOTICE.

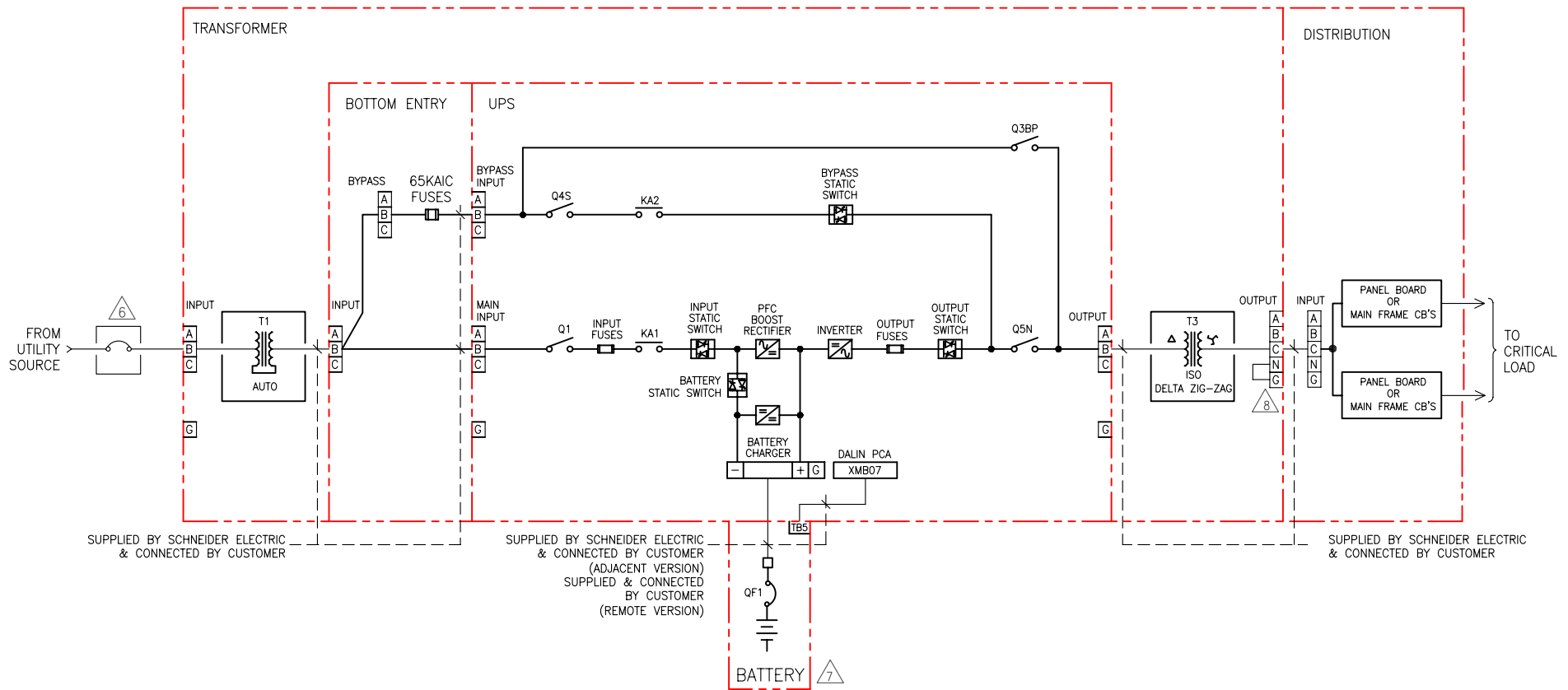


TITLE: GALAXY 5000 40-130kVA UPS
 Input/Output :- 480V/480V, 480V/208V, 208V/208V, 220V/220V, 600V/600V, 600V/208V
 TOP/BOT ENTRY W/BATT MBC IN-OUT XFMR&DB
 SYSTEM ONE LINE DIAGRAM

DWG NO: 90-174769-04-SD	REV: 0
DRAWN: B.KHOLOUSI/BALAMURUGAN	10-MAR-10
ENGINEER: I.KENNEDY	20-AUG-08
APPROVED: B.SHERIDAN/F.DIOSA	20-AUG-08

PROJECT: SUBMITTAL DRAWINGS SHEET 5 OF 6

ANGLE PROJECTION



NOTES: UNLESS OTHERWISE SPECIFIED.

1. INSTALLATION SHALL COMPLY WITH ALL APPLICABLE NATIONAL AND LOCAL CODES.
2. PLEASE REFER TO PRODUCT MANUALS FOR ADDITIONAL DETAILS.
3. ALL EXTERNAL WIRING BY CUSTOMER.
4. CUSTOMER IS RESPONSIBLE FOR CONNECTING ALL SCHNEIDER ELECTRIC SUPPLIED CABLES.
5. POWER AND CONTROL CABLES SHALL BE IN SEPARATE CONDUITS.
- △ 6. UPSTREAM PROTECTIVE DEVICE REQUIRED. PROVIDED BY CUSTOMER.
- △ 7. ONE CABINET SHOWN. FOR UP TO FOUR (4) BATTERY ENCLOSURE CONNECTIONS, REFER TO DRAWINGS 90-174701-00 OR 90-174701-01.
- △ 8. THE OUTPUT NEUTRAL IS BONDED TO GROUND.
9. REFER TO DRAWING NO. 90-174700-00-ED FOR AND ELECTRICAL DATA, VARIOUS INPUT SOURCE REQUIREMENT AND HIGH RESISTANCE GROUNDING APPLICATION DETAILS.

UPS BOTTOM ENTRY WITH BATTERY, MBC, KAIC INPUT-AUTO XFMR, OUTPUT ISO XFMR & DISTRIBUTION

THIS DRAWING AND SPECIFICATIONS HEREIN ARE THE PROPERTY OF SCHNEIDER ELECTRIC AND SHALL NOT BE COPIED, REPRODUCED OR USED IN WHOLE OR IN PART, AS THE BASIS FOR THE MANUFACTURE OR SALE OF ITEMS WITHOUT WRITTEN PERMISSION FROM SCHNEIDER ELECTRIC. THIS DRAWING IS BASED UPON LATEST AVAILABLE INFORMATION AND IS SUBJECT TO CHANGE WITHOUT NOTICE.



TITLE: GALAXY 5000 40-130kVA UPS
 Input/Output :- 480V/480V, 480V/208V,
 208V/208V, 220V/220V, 600V/600V, 600V/208V
 TOP/BOT ENTRY W/BATT MBC IN-OUT XFMR&DB
 SYSTEM ONE LINE DIAGRAM

DWG NO: 90-174769-05-SD	REV. 0
DRAWN: B.KHOLOUSI/BALAMURUGAN	10-MAR-10
ENGINEER: I.KENNEDY	20-AUG-08
APPROVED: B.SHERIDAN/F.DIOSA	20-AUG-08

PROJECT: SUBMITTAL DRAWINGS SHEET 6 OF 6

ANGLE
 PROJECTION
 N.A.