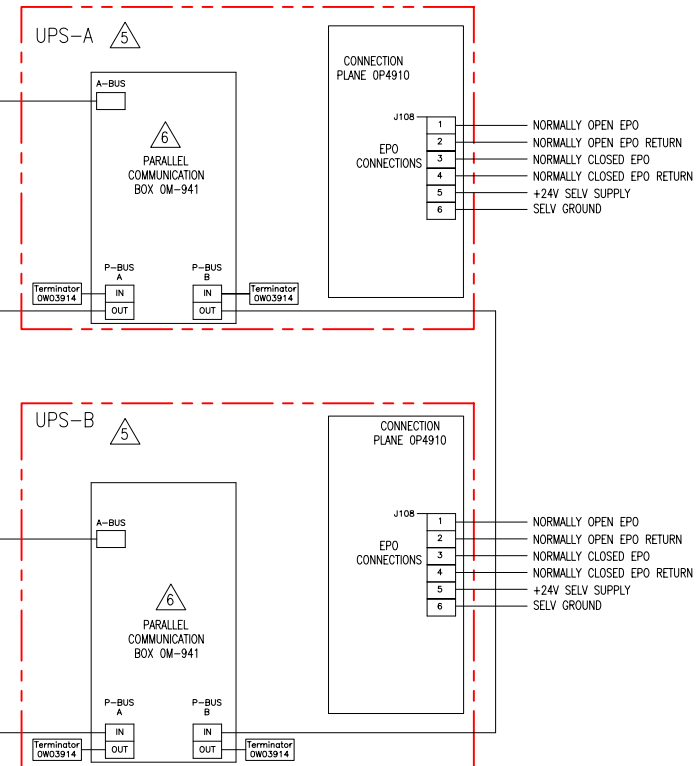
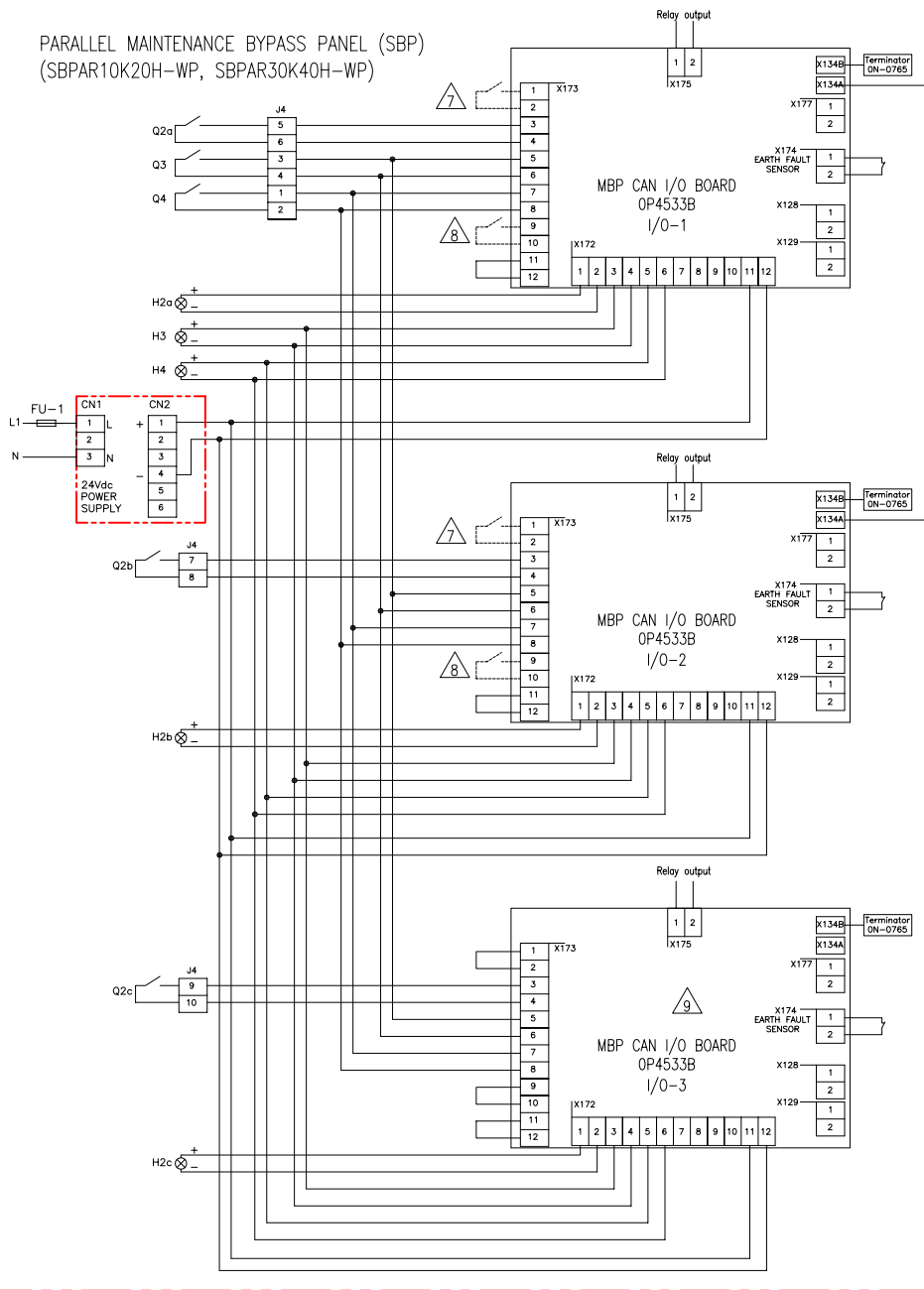


PARALLEL MAINTENANCE BYPASS PANEL (SBP)  
(SBPAR10K20H-WP, SBPAR30K40H-WP)



NOTES:

1. INSTALLATION SHALL COMPLY WITH ALL APPLICABLE NATIONAL, STATE AND LOCAL CODES.
2. PLEASE REFER TO PRODUCT DOCUMENTATION FOR FURTHER INFORMATION.
- △ 3. ABUS RJ50/SUB-D15 M CAT5E 26AWG/4P STP BK 30M PROVIDED BY APC
4. FOR BOARD PART NUMBERS CHECK THE LATEST REVISIONS.
- △ 5. APPLICABLE SKUs : G35T10KHS/G35T15KHS/G35T20KHS/G35T30KHS/G35T40KHS.
- △ 6. THE PARALLEL COMMUNICATION BOX IS NOT PART OF SKU TO BE ORDERED SEPARATELY.
- △ 7. THESE CONTACTS PROVIDED BY THE CUSTOMER. AUX. CONTACTS OF PROTECTION DEVICES TO MAINS INPUT OF UPS-A, UPS-B, UPS-C TO BE WIRED TO CAN I/O BOARD 1, 2, 3 RESPECTIVELY AS SHOWN.
- △ 8. THESE CONTACTS ARE PROVIDED BY THE CUSTOMER. AUX. CONTACTS OF PROTECTION DEVICES TO BYPASS INPUT OF UPS-A, UPS-B, UPS-C TO BE WIRED TO CAN I/O BOARD 1, 2, 3 RESPECTIVELY AS SHOWN.
- △ 9. CAN I/O BOARD IS NOT IN USE FOR 2 MODULE CONFIGURATIONS.

THIS DRAWING AND SPECIFICATIONS HEREIN ARE THE PROPERTY OF SCHNEIDER ELECTRIC AND SHALL NOT BE COPIED, REPRODUCED OR USED IN WHOLE OR IN PART, AS THE BASIS FOR THE MANUFACTURE OR SALE OF ITEMS WITHOUT WRITTEN PERMISSION FROM SCHNEIDER ELECTRIC. THIS DRAWING IS BASED UPON LATEST AVAILABLE INFORMATION AND IS SUBJECT TO CHANGE WITHOUT NOTICE.



TITLE: MGE Galaxy 3500  
Input: 400/230V AC 3PH SINGLE/DUAL MAINS  
Output: 400/230V AC AND 400V AC 3PH  
10-40kVA 2 MODULE PARALLEL WITHOUT BATTERIES  
SYSTEM WIRING DIAGRAM

DWG NO: G35T10K40HNB-2MOD-WD  
DRAWN: BALAMURUGAN  
ENGINEER: I KENNEDY  
APPROVED: CLARSEN

REV: 0  
DATE: 08-JUL-09  
ANGLE PROJECTION: N/A