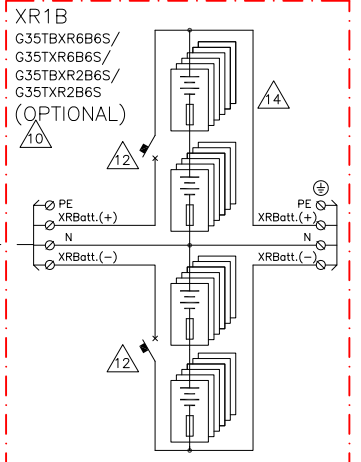
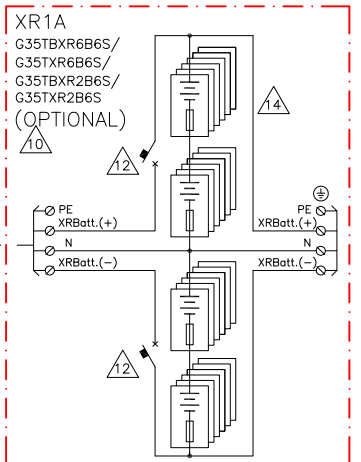
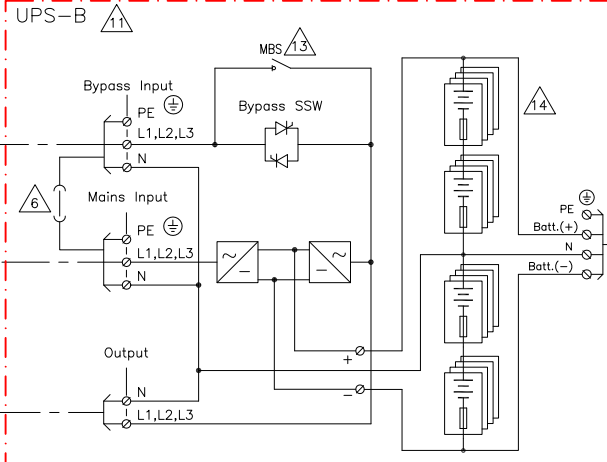
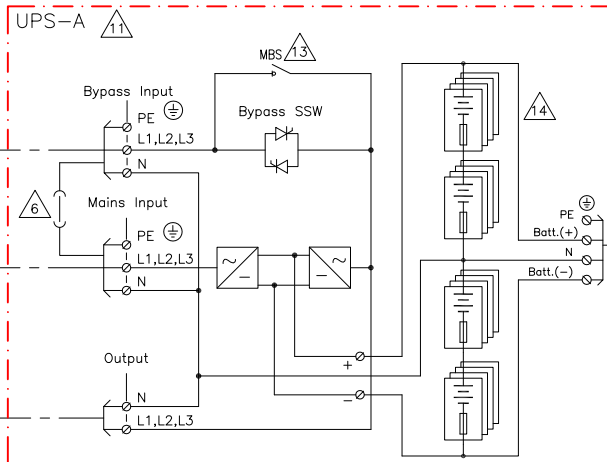
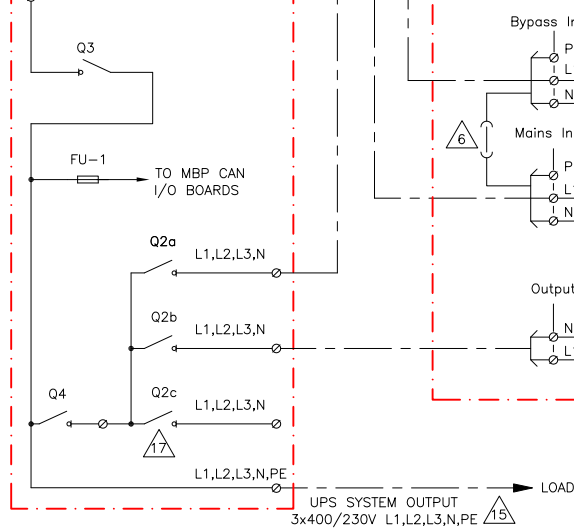


PARALLEL MAINTENANCE BYPASS PANEL (SBPAR10K20H-WP/SBPAR30K40H-WP)



LEGEND:
 - - - - - AC CABLE - PROVIDED BY OTHERS.
 - - - - - DC CABLE - PROVIDED BY OTHERS.

- NOTES:**
- INSTALLATION MUST COMPLY WITH ALL APPLICABLE LOCAL AND NATIONAL CODES.
 - PLEASE REFER TO Schneider Electric PRODUCT MANUALS FOR DETAILS.
 - DRAWING DEPICTS POWER SYSTEM CONNECTIONS AND IS NOT REPRESENTATIVE OF PHYSICAL LAYOUT, PLEASE REFER TO MECHANICAL DRAWINGS FOR PHYSICAL LAYOUT.
 - 3x400/230V TN-S (PROVIDED BY OTHERS). FOR OTHER EARTHING PRINCIPLES, PLEASE CONTACT Schneider Electric. RECOMMENDED UPSTREAM PROTECTION IS A MINIMUM RATING TO SUPPORT MAXIMUM CURRENT, WITHOUT SELECTIVITY. IF SELECTIVITY IS REQUIRED, PLEASE CONTACT Schneider Electric.
 - ALL AC POWER CABLING IS L1, L2, L3, N, PE, UNLESS OTHERWISE SPECIFIED.
 - SINGLE MAINS CONFIGURATION IS A DEFAULT.
DO NOT REMOVE THE LINK BUS BARS FOR SINGLE MAINS CONFIGURATION AND CONNECT INPUT CABLES TO EITHER MAINS OR BYPASS TERMINALS.
FOR DUAL MAINS CONFIGURATION REMOVE THE 3 LINK BUS BARS.
 - DC CABLING TO BE 600V RATED, 2 WIRE + PE, EACH CIRCUIT TO BE RUN IN SEPARATE CONDUITS, POSITIVE, NEGATIVE + PE.
 - UPS INPUT AND OUTPUT CABLES SHOULD BE SEGREGATED.
 - POWER WIRING AND CONTROL WIRING SHOULD BE SEGREGATED.
 - MAXIMUM 4 XR BATTERY ENCLOSURES MAY BE USED WITH THE SYSTEM.
 - APPLICABLE UPS SKU NUMBERS LISTED IN SHEET-2.
 - DC BREAKERS ARE APPLICABLE FOR G35TBXR2B6S AND G35TBXR6B6S ONLY.
 - MBS HAS TO BE DISABLED WHILE USING WITH MAINTENANCE BYPASS PANEL.
 - THIS DRAWING SHOWS MAXIMUM NUMBER OF BATTERY MODULES IN EACH CABINET. THE QUANTITY OF BATTERY MODULE IS SKU SPECIFIC.
EX. G35T10KH1B4S
 - CAN BE EXPANDED UPTO (4) BATTERY MODULES
 - MINIMUM NUMBER (1) OF BATTERY MODULES.
 - G35TBXR2B6S
 - CAN BE EXPANDED UPTO (6) BATTERY MODULES.
 - MINIMUM NUMBER (2) OF BATTERY MODULES.
 - SYSTEM OUTPUT FOR VARIOUS SKUs LISTED IN SHEET-2.
 - FOR SYSTEM INPUT OVER CURRENT PROTECTION REFER TO SHEET-2.
 - Q2c SHOULD BE DISABLED FOR 2 MODULE SYSTEM.
 - BYPASS INPUT CAN BE PROVIDED VIA MAINS INPUT OR OTHER NON SYNCHRONIZED SOURCE.
PLEASE CONTACT Schneider Electric IF DUAL SOURCES ARE BOTH SEPARATELY DERIVED POWER SYSTEMS.
 - MUST BE L1,L2,L3,PE SOURCE PROVIDED BY OTHERS.

DEVICE	RATED SHORT CIRCUIT CURRENT	
	WITH INPUT FUSES	WITH INPUT BREAKERS
UPS	30ka SYMMETRICAL	30ka SYMMETRICAL
XR BATTERY	30ka SYMMETRICAL	30ka SYMMETRICAL
SBP	15ka SYMMETRICAL	15ka SYMMETRICAL

DEVICE RATING FOR SBPAR10K20H-WP (TO USE WITH 10-20KVA UPS PARALLEL OPERATION)

DEVICE ID	DEVICE RATING	TYPE	MAKE	MODEL	ACCESSORIES
Q2a,Q2b,Q2c	40A	AC SWITCH, 3POLE	Schneider Electric	INS40	1 AUX. SWITCH(NO)
Q3, Q4	100A	AC SWITCH, 4POLE	Schneider Electric	INS100	1 AUX. SWITCH(NO)

DEVICE RATING FOR SBPAR30K40H-WP (TO USE WITH 30-40KVA UPS PARALLEL OPERATION)

Q2a,Q2b,Q2c	63A	AC SWITCH, 3POLE	Schneider Electric	INS63	1 AUX. SWITCH(NO)
Q3, Q4	200A	AC SWITCH, 4POLE	Schneider Electric	INS250-200A	1 AUX. SWITCH(NO)

SYSTEM DEVICE RATING (COMMON FOR BOTH SYSTEM)

FU-1	3A	TIME DELAY FUSE, 600V	BUSSMAN	FNQ-R-3	-
DC BREAKER	250A	CIRCUIT BREAKER 3POLE 500V	SQUARE D by Schneider Electric	KHL3625025DC1386	1-SHUNT TRIP (24V DC), 1-AUX. SWITCH

THIS DRAWING AND SPECIFICATIONS HEREIN ARE THE PROPERTY OF SCHNEIDER ELECTRIC AND SHALL NOT BE COPIED, REPRODUCED OR USED IN WHOLE OR IN PART, AS THE BASIS FOR THE MANUFACTURE OR SALE OF ITEMS WITHOUT WRITTEN PERMISSION FROM SCHNEIDER ELECTRIC. THIS DRAWING IS BASED UPON LATEST AVAILABLE INFORMATION AND IS SUBJECT TO CHANGE WITHOUT NOTICE.



TITLE: GALAXY 3500
 Input: 400/230V AC 3PH SINGLE/DUAL MAINS
 Output: 400/230V AC AND 400V AC 3PH
 10-40KVA 2 MODULE PARALLEL SYSTEM ONE LINE DIAGRAM

DWG NO: G35T10K40H-2MOD-SD **REV:** 3

DRAWN: BALAMURUGAN/JAYAPRAKASH 08-DEC-15 **ANGLE**

ENGINEER: S.ANDERSEN 08-DEC-15 **PROJECTION:**

PROJECT: SUBMITTAL DRAWINGS SHEET 1 OF 2 **APPROVED:** S.WAGH/E.SILVA 08-DEC-15 **N/A**

Galaxy 3500® 10K and 40K UPS Frame (2 Module) Site Planning Data - with MBP

Battery - Nominal Voltage : +/-192V DC

Input and output Voltage : 400V AC

UPS Rating	SKU Number	System Mains Input		System Bypass Input	System Output		Battery Current(A) (in UPS Cabinet)	Recommended Over current Protection Device Ratings			
		Nominal Current(A)	Maximum Current(A)	Nominal Current(A)	System output Power	Nominal Current(A)		Individual UPS Mains Input (A)	Individual UPS Bypass Input (A)	UPS System Input (A)	UPS System Output (A)
10kVA/ 8kW	G35T10KH1B2S	24.6	27	28.8	20kVA / 16kW	28.8	27.5	16	16	32	32
	G35T10KH2B2S										
	G35T10KH1B4S										
	G35T10KH2B4S										
	G35T10KH3B4S										
	G35T10KH4B4S										
15kVA/ 12kW	G35T15KH2B2S	37	40.6	43.4	30kVA / 24kW	43.4	41.2	25	25	50	50
	G35T15KH2B4S										
	G35T15KH3B4S										
	G35T15KH4B4S										
20kVA/ 16kW	G35T20KH2B2S	49.4	54.4	57.8	40kVA / 32kW	57.8	55	32	32	63	63
	G35T20KH2B4S										
	G35T20KH3B4S										
	G35T20KH4B4S										
30kVA/ 24kW	G35T30KH3B4S	73.4	80.6	86.6	60kVA / 48kW	86.6	82.5	50	50	100	100
	G35T30KH4B4S										
40kVA/ 32kW	G35T40KH4B4S	98.2	108	115.4	80kVA / 64kW	115.4	110.1	63	63	125	125

Notes.

1. Nominal Input current based on nominal mains voltage + batteries fully charged at 100% ohmic load.
2. Maximum Input current based on fully battery recharge + nominal mains voltage at 100% ohmic load.
3. Suggested input overcurrent protection based on continuous full load.
4. Nominal battery voltage assumed to be 2.0 volts/ cell (lead technology)
5. Over current protection device rating selection based on Nominal input current is acceptable provided battery recharge time is short.
Consult APC by Schneider Electric for application specific assistance.

THIS DRAWING AND SPECIFICATIONS HEREIN ARE THE PROPERTY OF SCHNEIDER ELECTRIC AND SHALL NOT BE COPIED, REPRODUCED OR USED IN WHOLE OR IN PART, AS THE BASIS FOR THE MANUFACTURE OR SALE OF ITEMS WITHOUT WRITTEN PERMISSION FROM SCHNEIDER ELECTRIC. THIS DRAWING IS BASED UPON LATEST AVAILABLE INFORMATION AND IS SUBJECT TO CHANGE WITHOUT NOTICE.



TITLE: GALAXY 3500
Input: 400/230V AC 3PH SINGLE/DUAL MAINS
Output: 400/230V AC AND 400V AC 3PH
10-40kVA 2 MODULE PARALLEL
SITE PLANNING GUIDE

DWG NO:	G35T10K40H-2MOD-SD		REV:	1
DRAWN:	BALAMURUGAN	10-JUL-09	ANGLE	
ENGINEER:	I.KENNEDY	10-JUL-09	PROJECTION:	
PROJECT:	SUBMITTAL DRAWINGS	SHEET 2 OF 2	APPROVED:	C.LARSEN