

DEVICE ID	NOMINAL CURRENT	RATED SHORT CIRCUIT CURRENT
UPS (AC IN)	55.1A	65kA SYMMETRICAL
UPS (AC OUT)	57.7A	65kA SYMMETRICAL
UPS (DC)	44.4A	
XR BATTERY ENCLOSURE	44.4A	35kA SYMMETRICAL

DEVICE ID	RATING *	TYPE
MIB	75AF/75AT [^]	MCCB, 3POLE
Q7	250AF/250AT	MCCB, 4POLE
FUSE	125A	FAST ACTING 1POLE

* 80% RATED
[^] RECOMMENDED RATING
 (PROVIDED BY OTHERS)

NOTES:

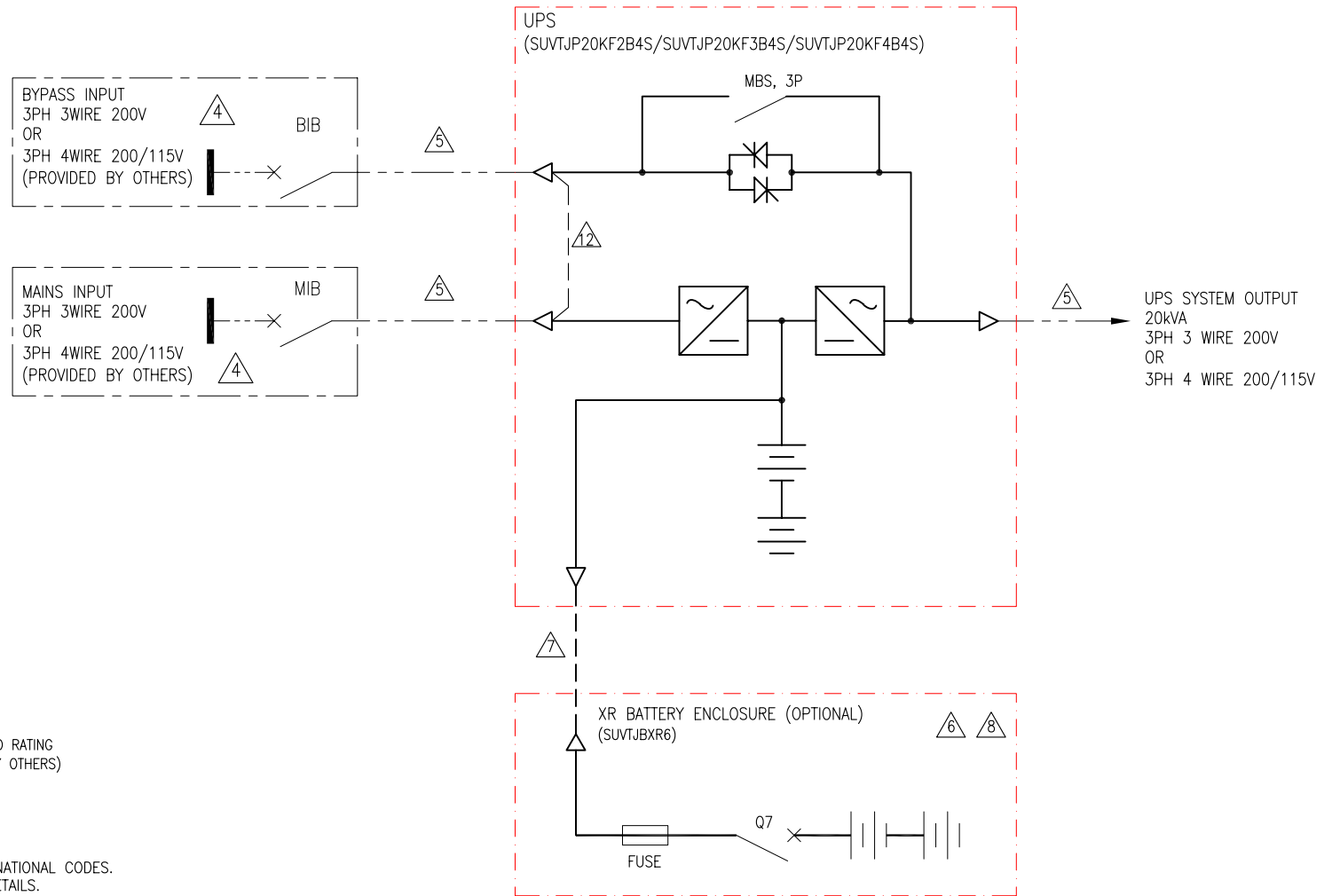
- INSTALLATION SHALL COMPLY WITH ALL APPLICABLE LOCAL AND NATIONAL CODES.
- PLEASE REFER TO PRODUCT DOCUMENTATION FOR ADDITIONAL DETAILS.
- DRAWING DEPICTS POWER SYSTEM CONNECTIONS AND IS NOT REPRESENTATIVE OF PHYSICAL LAYOUT, PLEASE REFER TO MECHANICAL DRAWINGS FOR PHYSICAL LAYOUT.
- △ 4. AC SOURCE TO BE 200VAC, 3WIRE OR 4WIRE, 3φ.
- △ 5. AC CABLING TO BE 600V RATED, 4W+GND AND PROVIDED BY OTHERS.
- △ 6. DC SOURCE TO BE 384VDC WITH CENTER TAP, 3W+GND.
- △ 7. DC CABLING TO BE 600V RATED, 3W+GND AND PROVIDED BY OTHERS. DC CABLING SHALL RUN IN CONDUIT SEPARATE FROM AC CABLING CONDUITS.
- △ 8. UP TO FOUR XR BATTERY ENCLOSURES CONNECTED TO THE UPS TO EXTEND BACKUP TIME.
- XR BATTERY ENCLOSURE CAN BE BAYED TO UPS. XR BATTERY ENCLOSURE IS ALSO AVAILABLE WITHOUT BREAKER WITH DC FUSE ONLY.
- EXTERNAL BATTERY CABINET IS OPTIONAL. BATTERY SIZING IS BASED ON A MAXIMUM 1VOLT DROP PER HALF-STRING AT NOMINAL RATED DC CURRENT. CONSULTING ENGINEER SHALL ADJUST CABLE SIZE BASED ON INSTALLATION PARAMETERS.
- CABLE LUGS ARE PROVIDED BY OTHERS.
- △ 12. SINGLE MAINS INSTALLATION IS DEFAULT. REMOVABLE BUS LINKS TO BE REMOVED FOR DUAL MAINS. FOR DUAL MAINS OPTION REFER TO DRAWING # SUVTJP20KF2C1-SD.

THIS DRAWING AND SPECIFICATIONS HEREIN ARE THE PROPERTY OF SCHNEIDER ELECTRIC AND SHALL NOT BE COPIED, REPRODUCED OR USED IN WHOLE OR IN PART, AS THE BASIS FOR THE MANUFACTURE OR SALE OF ITEMS WITHOUT WRITTEN PERMISSION FROM SCHNEIDER ELECTRIC. THIS DRAWING IS BASED UPON LATEST AVAILABLE INFORMATION AND IS SUBJECT TO CHANGE WITHOUT NOTICE.



TITLE: SMART-UPS VT, PARALLEL SYSTEM
 INPUT: 200V AC, 3PH, SINGLE MAINS
 OUTPUT: 200V AC, 20kVA N
 1 MODULE CAPACITY
 SYSTEM ONE LINE DIAGRAM
 PROJECT: SUBMITTAL DRAWINGS SHEET 1 OF 1

DWG NO:	SUVTJP20KF1C1-SD	REV:	0
DRAWN:	BALAMURUGAN	04-MAY-09	ANGLE
ENGINEER:	T.YAMAMOTO	04-MAY-09	PROJECTION
APPROVED:	T.YAMAMOTO/J.SUN	04-MAY-09	N.A



DEVICE ID	NOMINAL CURRENT	RATED SHORT CIRCUIT CURRENT
UPS (AC IN-MAINS)	55.1A	65kA SYMMETRICAL
UPS (AC IN-BYPASS)	50.1A	65kA SYMMETRICAL
UPS (AC OUT)	57.7A	65kA SYMMETRICAL
UPS (DC)	44.4A	
XR BATTERY ENCLOSURE	44.4A	35kA SYMMETRICAL

DEVICE ID	RATING *	TYPE
MIB	75AF/75AT~	MCCB, 3POLE
BIB	75AF/75AT~	MCCB, 3POLE
Q7	250AF/250AT	MCCB, 4POLE
FUSE	125A	FAST ACTING 1POLE

* 80% RATED
 ~ RECOMMENDED RATING
 (PROVIDED BY OTHERS)

NOTES:

- INSTALLATION SHALL COMPLY WITH ALL APPLICABLE LOCAL AND NATIONAL CODES.
- PLEASE REFER TO PRODUCT DOCUMENTATION FOR ADDITIONAL DETAILS.
- DRAWING DEPICTS POWER SYSTEM CONNECTIONS AND IS NOT REPRESENTATIVE OF PHYSICAL LAYOUT, PLEASE REFER TO MECHANICAL DRAWINGS FOR PHYSICAL LAYOUT.
- △ 4. AC SOURCE TO BE 200VAC, 3WIRE OR 4WIRE, 3φ.
- △ 5. AC CABLING TO BE 600V RATED, 4W+GND AND PROVIDED BY OTHERS.
- △ 6. DC SOURCE TO BE 384VDC WITH CENTER TAP, 3W+GND.
- △ 7. DC CABLING TO BE 600V RATED, 3W+GND AND PROVIDED BY OTHERS. DC CABLING SHALL RUN IN CONDUIT SEPARATE FROM AC CABLING CONDUITS.
- △ 8. UP TO FOUR XR BATTERY ENCLOSURES CONNECTED TO THE UPS TO EXTEND BACKUP TIME.
9. XR BATTERY ENCLOSURE CAN BE BAYED TO UPS. XR BATTERY ENCLOSURE IS ALSO AVAILABLE WITHOUT BREAKER WITH DC FUSE ONLY.
10. EXTERNAL BATTERY CABINET IS OPTIONAL. BATTERY SIZING IS BASED ON A MAXIMUM 1VOLT DROP PER HALF-STRING AT NOMINAL RATED DC CURRENT. CONSULTING ENGINEER SHALL ADJUST CABLE SIZE BASED ON INSTALLATION PARAMETERS.
11. CABLE LUGS ARE PROVIDED BY OTHERS.
- △ 12. SINGLE MAINS INSTALLATION IS DEFAULT. REMOVABLE BUS LINKS TO BE REMOVED FOR DUAL MAINS.

THIS DRAWING AND SPECIFICATIONS HEREIN ARE THE PROPERTY OF SCHNEIDER ELECTRIC AND SHALL NOT BE COPIED, REPRODUCED OR USED IN WHOLE OR IN PART, AS THE BASIS FOR THE MANUFACTURE OR SALE OF ITEMS WITHOUT WRITTEN PERMISSION FROM SCHNEIDER ELECTRIC. THIS DRAWING IS BASED UPON LATEST AVAILABLE INFORMATION AND IS SUBJECT TO CHANGE WITHOUT NOTICE.



TITLE: SMART-UPS VT, PARALLEL SYSTEM
 INPUT: 200V AC, 3PH, DUAL MAINS
 OUTPUT: 200V AC, 20kVA N
 1 MODULE CAPACITY
 SYSTEM ONE LINE DIAGRAM

PROJECT: SUBMITTAL DRAWINGS SHEET 1 OF 1

DWG NO:	SUVTJP20KF2C1-SD	REV:	0
DRAWN:	BALAMURUGAN	04-MAY-09	ANGLE
ENGINEER:	T.YAMAMOTO	04-MAY-09	PROJECTION
APPROVED:	T.YAMAMOTO/J.SUN	04-MAY-09	N.A