

PRODUCT RATING		
DEVICE	NOMINAL CURRENT	RATED SHORT CIRCUIT CURRENT
PDPM INPUT	200A	10kA SYMMETRICAL
PDPM OUTPUT	200A	10kA SYMMETRICAL

DISTRIBUTION DETAILS					
DEVICE ID	RATING	TYPE	MAKE	MODEL	RATED SHORT CIRCUIT CURRENT
MODULE-X	16A/32A	POWER DISTRIBUTION MODULE 3POLE BREAKER, 3PH 5WIRE CABLE WITH IEC-309 CONNECTOR	APC	SEE NOTE 7	10kA SYMMETRICAL

**LEGEND:**  
 - - - - - AC CABLE - PROVIDED BY OTHERS.  
 \_\_\_\_\_ AC BUS

**NOTES:**

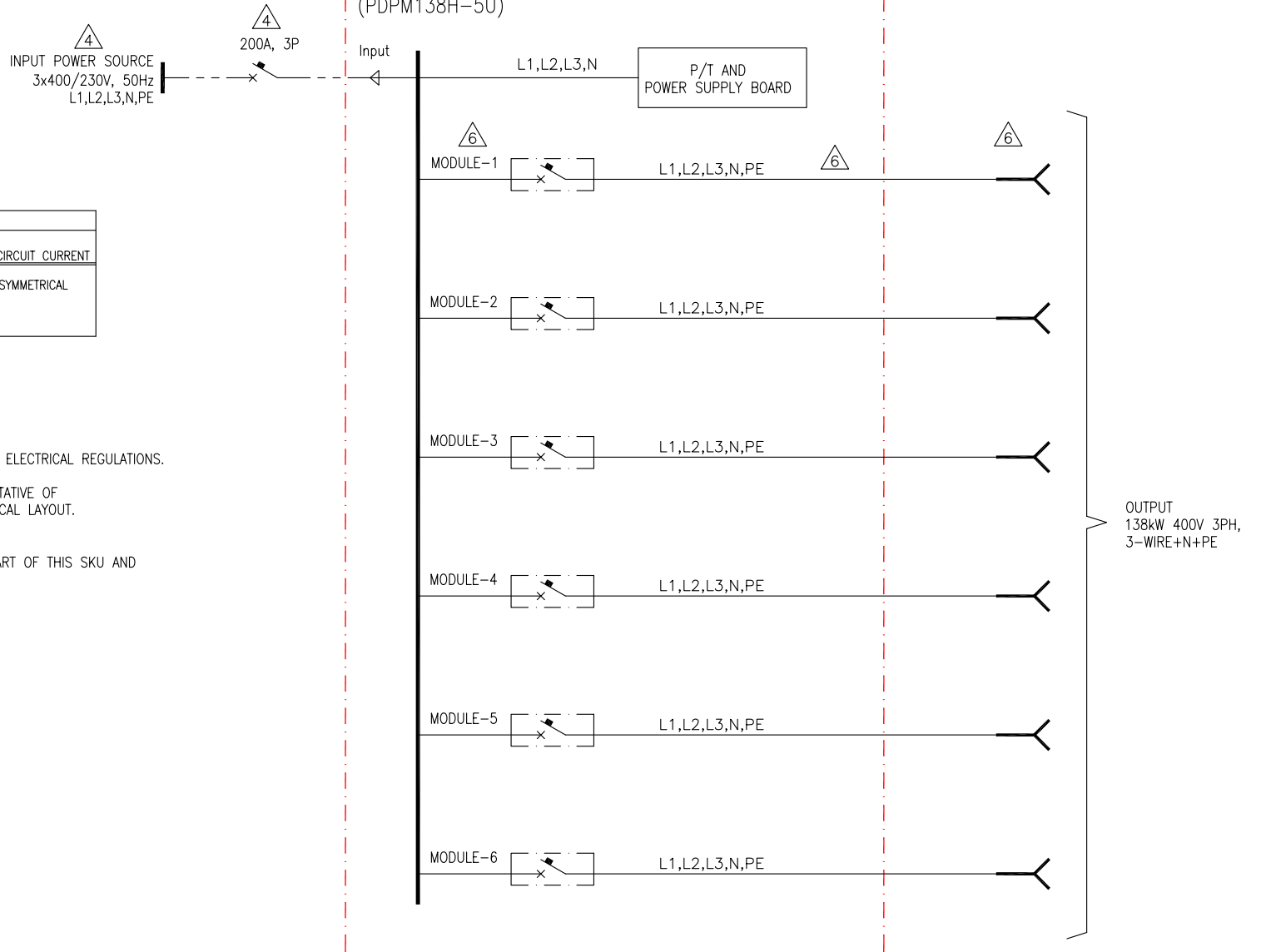
- INSTALLATION MUST COMPLY WITH ALL APPLICABLE LOCAL AND NATIONAL ELECTRICAL REGULATIONS.
- PLEASE REFER TO APC PRODUCT MANUALS FOR DETAILS.
- DRAWING DEPICTS POWER SYSTEM CONNECTIONS AND IS NOT REPRESENTATIVE OF PHYSICAL LAYOUT, PLEASE REFER TO MECHANICAL DRAWINGS FOR PHYSICAL LAYOUT.
- 3x400/230V L1, L2, L3, N, PE (PROVIDED BY OTHERS).
- ALL AC POWER CABLING IS L1,L2, L3, N, PE.
- ALL POWER DISTRIBUTION MODULES AND EXTENDER CABLES ARE NOT PART OF THIS SKU AND ARE ORDERED SEPARATELY. PLEASE CONTACT APC.
- OPTIONS DETAILS.  
 MAXIMUM 6 MODULES PER SKU.  
 PLEASE CONTACT APC FOR LATEST LIST OF MODULE OPTIONS.

SKU number	
16A-3P BREAKER, 16A-3PH PLUG WITH 2.5 SQ. MM CABLE	32A-3P BREAKER, 32A-3PH PLUG WITH 6 SQ. MM CABLE
PDM3516IEC-80	PDM3532IEC-80
PDM3516IEC-140	PDM3532IEC-140
PDM3516IEC-200	PDM3532IEC-200
PDM3516IEC-260	PDM3532IEC-260
PDM3516IEC-320	PDM3532IEC-320
PDM3516IEC-380	PDM3532IEC-380
PDM3516IEC-440	PDM3532IEC-440
PDM3516IEC-500	PDM3532IEC-500
PDM3516IEC-560	PDM3532IEC-560
PDM3516IEC-620	PDM3532IEC-620
PDM3516IEC-680	PDM3532IEC-680
PDM3516IEC-740	PDM3532IEC-740
PDM3516IEC-800	PDM3532IEC-800
PDM3516IEC-860	PDM3532IEC-860
PDM3516IEC-920	PDM3532IEC-920
PDM3516IEC-980	PDM3532IEC-980
PDM3516IEC-1040	PDM3532IEC-1040

PDM3516IEC-1040

- CABLE LENGTH IN CENTIMETERS (1040cms)
- BREAKER RATING IN AMPERE (16A)
- NUMBER OF WIRES (5 WIRE)
- BREAKER POLES (3 POLE)
- POWER DISTRIBUTION MODULE WITH IEC309 CONNECTOR

MODULAR RACKMOUNTED IT POWER DISTRIBUTION UNIT (PDPM138H-5U)



THIS DRAWING AND SPECIFICATIONS HEREIN ARE THE PROPERTY OF AMERICAN POWER CONVERSION AND SHALL NOT BE COPIED, REPRODUCED OR USED IN WHOLE OR IN PART, AS THE BASIS FOR THE MANUFACTURE OR SALE OF ITEMS WITHOUT WRITTEN PERMISSION FROM APC. THIS DRAWING IS BASED UPON LATEST AVAILABLE INFORMATION AND IS SUBJECT TO CHANGE WITHOUT NOTICE.



MODULAR RACKMOUNTED IT POWER DISTRIBUTION  
 Input: 200A, 3PH-400V  
 Output: -138kW 200A 400/230V 18 POLES  
 3 POLE BREAKER MODULE  
 SYSTEM ONE LINE DIAGRAM

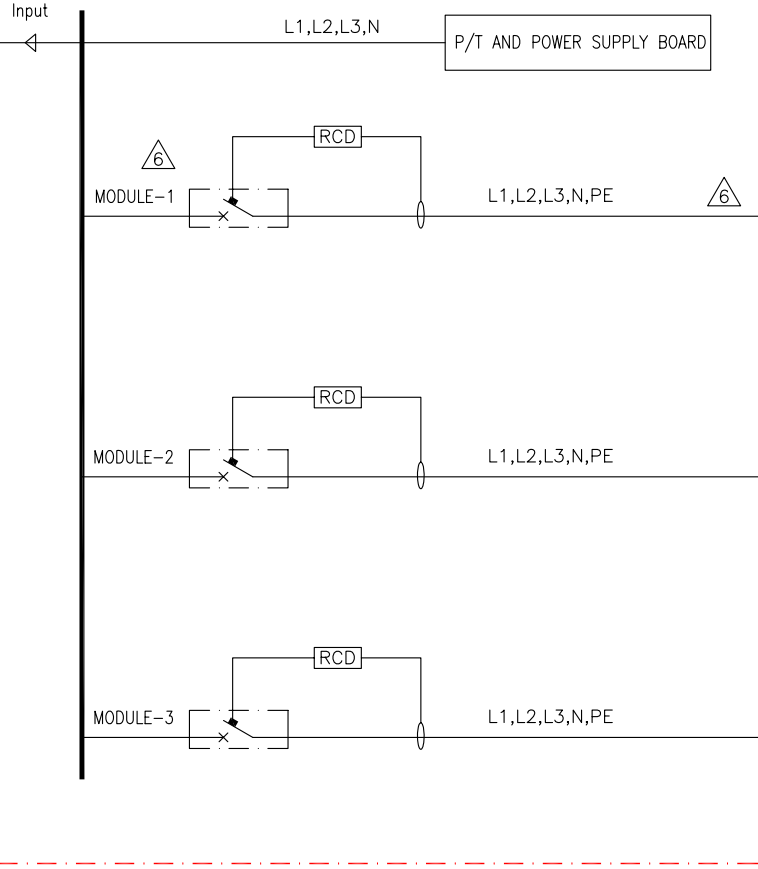
PROJECT: SUBMITTAL DRAWINGS SHEET 1 OF 4

DWG NO:	PDPM138H-5U-SD	REV:	0
DRAWN:	BALAMURUGAN	25-SEP-08	ANGLE
ENGINEER:	A.KULKARNI/M.WEISENBLOOM	25-SEP-08	PROJECTION:
APPROVED:	C.LARSEN/S.WAGH	25-SEP-08	N/A

INPUT POWER SOURCE  
3x400/230V, 50Hz  
L1,L2,L3,N,PE

200A, 3P

MODULAR RACKMOUNTED IT POWER DISTRIBUTION UNIT  
(PDPM138H-5U)



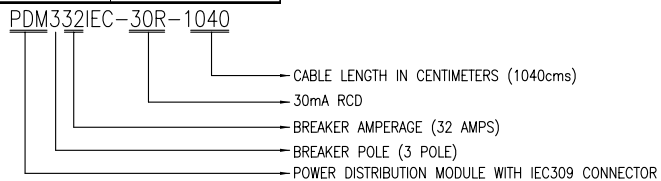
PRODUCT RATING		
DEVICE	NOMINAL CURRENT	RATED SHORT CIRCUIT CURRENT
PDPM INPUT	200A	10kA SYMMETRICAL
PDPM OUTPUT	200A	10kA SYMMETRICAL

DISTRIBUTION DETAILS					
DEVICE ID	RATING	TYPE	MAKE	MODEL	RATED SHORT CIRCUIT CURRENT
MODULE-X	16A/32A	POWER DISTRIBUTION MODULE 3POLE +NEUTRAL BREAKER WITH 30mA 3P+N RCD, 3PH 5WIRE CABLE WITH IEC-309 CONNECTOR	APC	SEE NOTE 8	10kA SYMMETRICAL

**LEGEND:**  
 - - - - - AC CABLE - PROVIDED BY OTHERS.  
 \_\_\_\_\_ AC BUS

- NOTES:**
- INSTALLATION MUST COMPLY WITH ALL APPLICABLE LOCAL AND NATIONAL ELECTRICAL REGULATIONS.
  - PLEASE REFER TO APC PRODUCT MANUALS FOR DETAILS.
  - DRAWING DEPICTS POWER SYSTEM CONNECTIONS AND IS NOT REPRESENTATIVE OF PHYSICAL LAYOUT, PLEASE REFER TO MECHANICAL DRAWINGS FOR PHYSICAL LAYOUT.
  - 3x400/230V L1, L2, L3, N, PE (PROVIDED BY OTHERS). FOR OTHER EARTHING PRINCIPLES, PLEASE CONTACT APC. RECOMMENDED UPSTREAM PROTECTION IS A MINIMUM RATING TO SUPPORT MAXIMUM CURRENT WITHOUT SELECTIVITY. IF SELECTIVITY IS REQUIRED, PLEASE CONTACT APC.
  - ALL AC POWER CABLING IS L1,L2, L3, N, PE.
  - ALL POWER DISTRIBUTION MODULES AND EXTENDER CABLES ARE NOT PART OF THIS SKU AND ARE ORDERED SEPARATELY. PLEASE CONTACT APC.
  - POWER DISTRIBUTION MODULES WITH RCDs REQUIRE 2 MODULE POSITIONS. THE TOTAL MAXIMUM NUMBER OF MODULES WILL BE LESS THAN 3 MODULES WHEN RCDs ARE INSTALLED
  - OPTIONS DETAILS.  
 MAXIMUM 3 MODULES PER SKU.  
 PLEASE CONTACT APC FOR LATEST LIST OF MODULE OPTIONS.

SKU Number	
16A-3P BREAKER WITH 30mA RCD, 16A-3PH 3WIRE PLUG WITH 2.5 SQ. MM CABLE	32A-3P BREAKER WITH 30mA RCD, 32A-3PH 3WIRE PLUG WITH 6 SQ. MM CABLE
PDM316IEC-30R-140	PDM332IEC-30R-140
PDM316IEC-30R-320	PDM332IEC-30R-320
PDM316IEC-30R-500	PDM332IEC-30R-500
PDM316IEC-30R-680	PDM332IEC-30R-680
PDM316IEC-30R-860	PDM332IEC-30R-860
PDM316IEC-30R-1040	PDM332IEC-30R-1040



THIS DRAWING AND SPECIFICATIONS HEREIN ARE THE PROPERTY OF AMERICAN POWER CONVERSION AND SHALL NOT BE COPIED, REPRODUCED OR USED IN WHOLE OR IN PART, AS THE BASIS FOR THE MANUFACTURE OR SALE OF ITEMS WITHOUT WRITTEN PERMISSION FROM APC. THIS DRAWING IS BASED UPON LATEST AVAILABLE INFORMATION AND IS SUBJECT TO CHANGE WITHOUT NOTICE.



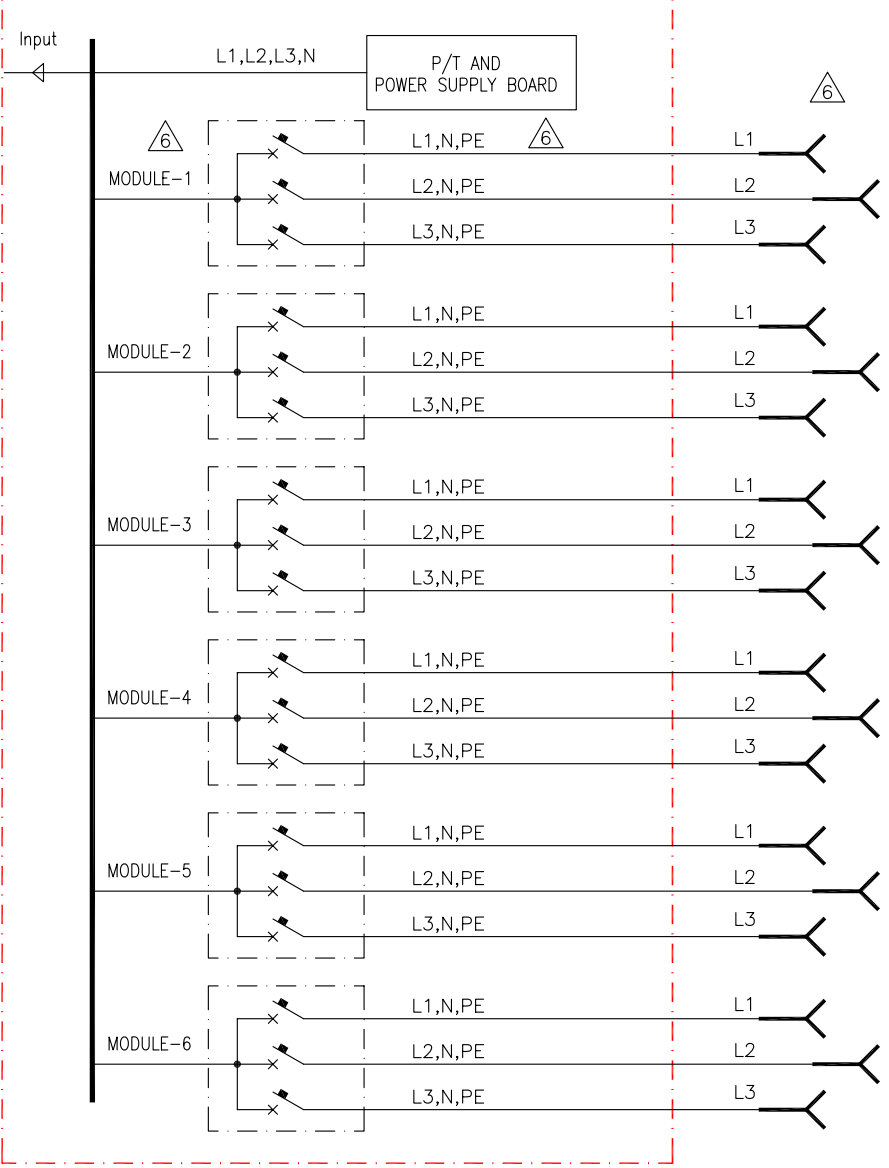
MODULAR RACKMOUNTED IT POWER DISTRIBUTION UNIT  
 Input: 200A, 3PH-400V  
 Output: 138kW 200A 400/230V 18 POLES 3 POLE BREAKER MODULE WITH RCD  
 SYSTEM ONE LINE DIAGRAM

DWG NO:	PDPM138H-5U-SD	REV:	0
DRAWN:	BALAMURUGAN	25-SEP-08	ANGLE
ENGINEER:	A.KULKARNI/M.WEISENBLOOM	25-SEP-08	PROJECTION:
APPROVED:	C.LARSEN/S.WAGH	25-SEP-08	N/A

INPUT POWER SOURCE  
3x400/230V, 50Hz  
L1,L2,L3,N,PE

200A, 3P

MODULAR RACKMOUNTED IT POWER DISTRIBUTION UNIT  
(PDPM138H-5U)



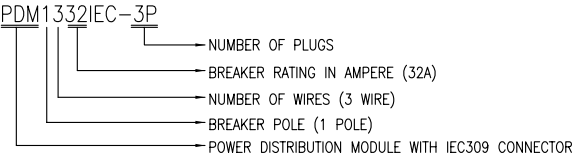
PRODUCT RATING		
DEVICE	NOMINAL CURRENT	RATED SHORT CIRCUIT CURRENT
PDPM INPUT	200A	10kA SYMMETRICAL
PDPM OUTPUT	200A	10kA SYMMETRICAL

DISTRIBUTION DETAILS					
DEVICE ID	RATING	TYPE	MAKE	MODEL	RATED SHORT CIRCUIT CURRENT
MODULE-X	16A/32A	POWER DISTRIBUTION MODULE 3-1POLE + NEUTRAL BREAKER, 3-1PH 3WIRE CABLE WITH IEC-309 CONNECTOR	APC	SEE NOTE 7	10kA SYMMETRICAL

LEGEND:  
 - - - - - AC CABLE - PROVIDED BY OTHERS.  
 \_\_\_\_\_ AC BUS

- NOTES:
- INSTALLATION MUST COMPLY WITH ALL APPLICABLE LOCAL AND NATIONAL ELECTRICAL REGULATIONS.
  - PLEASE REFER TO APC PRODUCT MANUALS FOR DETAILS.
  - DRAWING DEPICTS POWER SYSTEM CONNECTIONS AND IS NOT REPRESENTATIVE OF PHYSICAL LAYOUT, PLEASE REFER TO MECHANICAL DRAWINGS FOR PHYSICAL LAYOUT.
  - 3x400/230V L1, L2, L3, N, PE (PROVIDED BY OTHERS). FOR OTHER EARTHING PRINCIPLES, PLEASE CONTACT APC. RECOMMENDED UPSTREAM PROTECTION IS A MINIMUM RATING TO SUPPORT MAXIMUM CURRENT WITHOUT SELECTIVITY. IF SELECTIVITY IS REQUIRED, PLEASE CONTACT APC.
  - ALL AC POWER CABLING IS L1,L2, L3, N, PE.
  - ALL POWER DISTRIBUTION MODULES AND EXTENDER CABLES ARE NOT PART OF THIS SKU AND ARE ORDERED SEPARATELY. PLEASE CONTACT APC.
  - OPTIONS DETAILS.  
MAXIMUM 6 MODULES PER SKU.  
PLEASE CONTACT APC FOR LATEST LIST OF MODULE OPTIONS.

SKU Number	Cable length in Centimeters /Phase	IEC309 Plug Sepsification	Cable specification
PDM1316IEC-3P	300/L1, 360/L2 & 420/L3	16A-1PH 3 WIRE	2.5 S.Q. MM
PDM1332IEC-3P	300/L1, 360/L2 & 420/L3	32A-1PH 3 WIRE	6 S.Q. MM
PDM1332IEC-3P-2	480/L1, 540/L2 & 600/L3	32A-1PH 3 WIRE	6 S.Q. MM
PDM1332IEC-3P-3	660/L1, 720/L2 & 780/L3	32A-1PH 3 WIRE	6 S.Q. MM

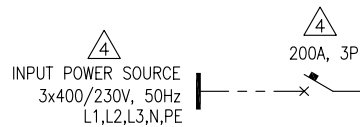


THIS DRAWING AND SPECIFICATIONS HEREIN ARE THE PROPERTY OF AMERICAN POWER CONVERSION AND SHALL NOT BE COPIED, REPRODUCED OR USED IN WHOLE OR IN PART, AS THE BASIS FOR THE MANUFACTURE OR SALE OF ITEMS WITHOUT WRITTEN PERMISSION FROM APC. THIS DRAWING IS BASED UPON LATEST AVAILABLE INFORMATION AND IS SUBJECT TO CHANGE WITHOUT NOTICE.

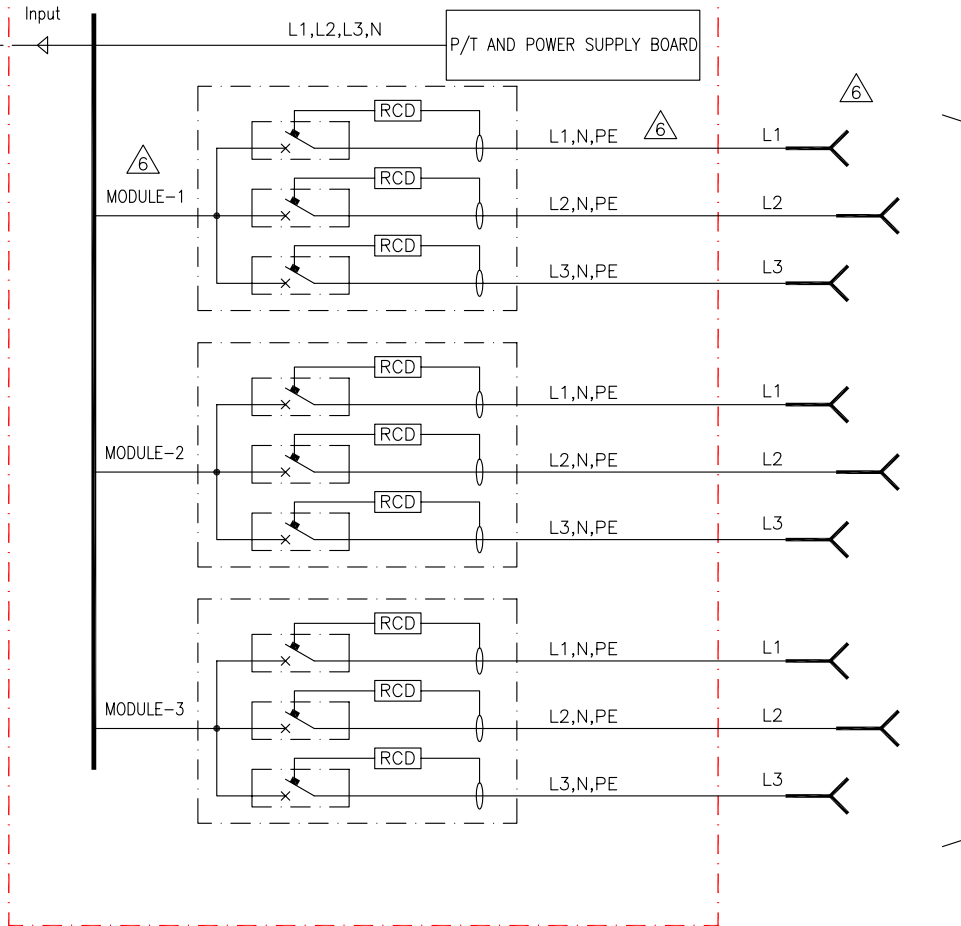


MODULAR RACKMOUNTED IT POWER DISTRIBUTION UNIT  
 Input: 200A, 3PH-400V  
 Output: 138kW 200A 400/230V 18 POLES  
 1 POLE BREAKER MODULE  
 SYSTEM ONE LINE DIAGRAM

DWG NO:	PDPM138H-5U-SD	REV:	0
DRAWN:	BALAMURUGAN	25-SEP-08	ANGLE
ENGINEER:	A.KULKARNI/M.WEISENBLOOM	25-SEP-08	PROJECTION:
APPROVED:	C.LARSEN/S.WAGH	25-SEP-08	N/A



MODULAR RACKMOUNTED IT POWER DISTRIBUTION UNIT  
(PDPM138H-5U)



PRODUCT RATING		
DEVICE	NOMINAL CURRENT	RATED SHORT CIRCUIT CURRENT
PDPM INPUT	200A	10kA SYMMETRICAL
PDPM OUTPUT	200A	10kA SYMMETRICAL

DISTRIBUTION DETAILS					
DEVICE ID	RATING	TYPE	MAKE	MODEL	RATED SHORT CIRCUIT CURRENT
MODULE-X	32A	POWER DISTRIBUTION MODULE 3-1POLE + NEUTRAL BREAKER WITH 30mA 1P+NEUTRAL RCD, 3-1PH 3WIRE CABLE WITH IEC-309 CONNECTOR	APC	SEE NOTE 8	10kA SYMMETRICAL

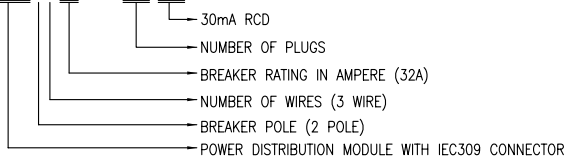
LEGEND:  
 - - - - - AC CABLE - PROVIDED BY OTHERS.  
 \_\_\_\_\_ AC BUS

NOTES:

- INSTALLATION MUST COMPLY WITH ALL APPLICABLE LOCAL AND NATIONAL ELECTRICAL REGULATIONS.
- PLEASE REFER TO APC PRODUCT MANUALS FOR DETAILS.
- DRAWING DEPICTS POWER SYSTEM CONNECTIONS AND IS NOT REPRESENTATIVE OF PHYSICAL LAYOUT, PLEASE REFER TO MECHANICAL DRAWINGS FOR PHYSICAL LAYOUT.
- 3x400/230V L1, L2, L3, N, PE (PROVIDED BY OTHERS). FOR OTHER EARTHING PRINCIPLES, PLEASE CONTACT APC. RECOMMENDED UPSTREAM PROTECTION IS A MINIMUM RATING TO SUPPORT MAXIMUM CURRENT WITHOUT SELECTIVITY. IF SELECTIVITY IS REQUIRED, PLEASE CONTACT APC.
- ALL AC POWER CABLING IS L1,L2, L3, N, PE.
- ALL POWER DISTRIBUTION MODULES AND EXTENDER CABLES ARE NOT PART OF THIS SKU AND ARE ORDERED SEPARATELY. PLEASE CONTACT APC.
- POWER DISTRIBUTION MODULES WITH RCDs REQUIRE 2 MODULE POSITIONS. THE TOTAL MAXIMUM NUMBER OF MODULES WILL BE LESS THAN 3 MODULES WHEN RCDs ARE INSTALLED
- OPTIONS DETAILS.  
MAXIMUM 3 MODULES PER SKU.  
PLEASE CONTACT APC FOR LATEST LIST OF MODULE OPTIONS.

SKU Number	Cable length in Centimeters /Phase	IEC309Plug Specification	Cable specification
PDM2332IEC-3P30R-1	300/L1, 360/L2 & 420/L3	3x32A-1PH 3 WIRE	6 S.Q. MM
PDM2332IEC-3P30R-2	480/L1, 540/L2 & 600/L3	3x32A-1PH 3 WIRE	6 S.Q. MM
PDM2332IEC-3P30R-3	660/L1, 720/L2 & 780/L3	3x32A-1PH 3 WIRE	6 S.Q. MM

PDM2332IEC-3P30R



THIS DRAWING AND SPECIFICATIONS HEREIN ARE THE PROPERTY OF AMERICAN POWER CONVERSION AND SHALL NOT BE COPIED, REPRODUCED OR USED IN WHOLE OR IN PART, AS THE BASIS FOR THE MANUFACTURE OR SALE OF ITEMS WITHOUT WRITTEN PERMISSION FROM APC. THIS DRAWING IS BASED UPON LATEST AVAILABLE INFORMATION AND IS SUBJECT TO CHANGE WITHOUT NOTICE.



MODULAR RACKMOUNTED IT POWER DISTRIBUTION UNIT  
 Input: 200A, 3PH-400V  
 Output: 138kW 200A 400/230V 18 POLES  
 1 POLE BREAKER MODULE WITH RCD  
 SYSTEM ONE LINE DIAGRAM

DWG NO:	PDPM138H-5U-SD	REV:	0
DRAWN:	BALAMURUGAN	25-SEP-08	ANGLE
ENGINEER:	A.KULKARNI/M.WEISENBLOOM	25-SEP-08	PROJECTION:
APPROVED:	C.LARSEN/S.WAGH	25-SEP-08	N/A

PROJECT: SUBMITTAL DRAWINGS SHEET 4 OF 4