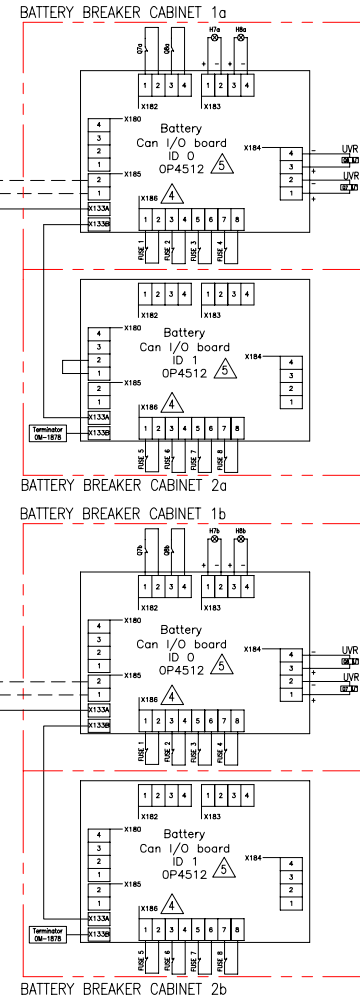
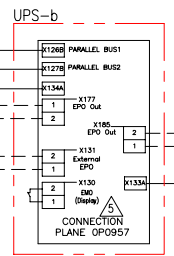
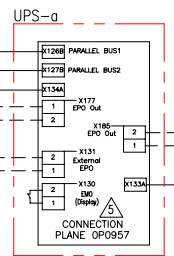
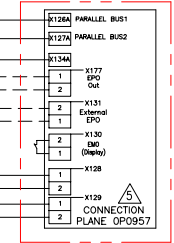
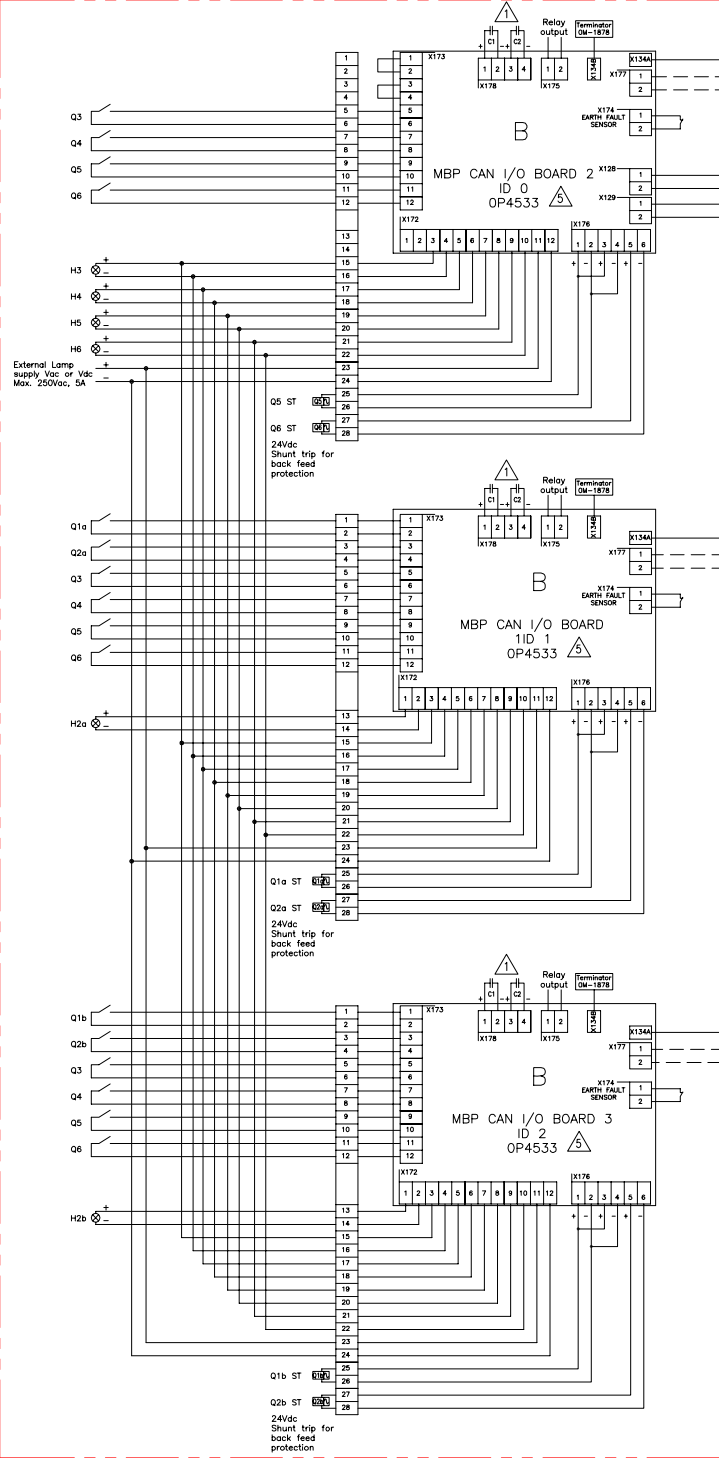


MAINTENANCE BYPASS PANEL (MBP)

EXTERNAL BYPASS SWITCH



- NOTES:
- △ 1. THE CAPACITORS ARE ENERGY STORAGE FOR EPO WHEN NO OTHER SOURCE IS AVAILABLE  
C1 = B41456-B7339-M = 33000µF (202-0333), C2 = B41456-B7339-M = 33000µF (202-0333)
  - △ 2. 15 CONDUCTOR IS SHIELDED TWISTED PAIR PROVIDED BY APC
  - 3. - - - - - EPO WIRING OPTIONAL.
  - △ 4. IF BATTERY CABINET FUSES ARE NOT PRESENT, THE TERMINALS WILL HAVE TO BE FITTED WITH JUMPERS.
  - △ 5. FOR BOARD PART NUMBERS CHECK THE LATEST REVISIONS.
  - 6. INSTALLATION MUST COMPLY WITH NATIONAL AND LOCAL CODES.

THIS DRAWING AND SPECIFICATIONS HEREIN ARE THE PROPERTY OF AMERICAN POWER CONVERSION AND SHALL NOT BE COPIED, REPRODUCED OR USED IN WHOLE OR IN PART, AS THE BASIS FOR THE MANUFACTURE OR SALE OF ITEMS WITHOUT WRITTEN PERMISSION FROM APC. THIS DRAWING IS BASED UPON LATEST AVAILABLE INFORMATION AND IS SUBJECT TO CHANGE WITHOUT NOTICE.

TITLE: SYMMETRA MW  
400V, 3PH, 2x1400kW N+1  
SYSTEM WIRING DIAGRAM

DWG NO:	SYMF1400K1400HR2-WD	REV:	-
DRAWN:	BALAMURUGAN	21/03/07	PROJECTION ⊕
CHECKED:	S WAGH	21/03/07	
ENGINEER:	S WAGH	21/03/07	

