

# SERVICE BY-PASS PANEL SPECIFICATION

## 1. SYSTEM MAINS SUPPLY RATING

Mains voltage : 3x400V/230V at 50Hz  
Control Voltage : 230V at 50Hz  
Short-circuit current I<sub>c</sub> :  15 kA  
 25 kA  
 30 kA  
 45 kA

## 2. SYSTEM EARTHING

The system earthing is TN-S with 5 wires at both inlets and outlets

## 3. STANDARDS

The Service By-pass Panel is built according to CE compliance

## 4. ENVIRONMENTS

The assembly is made for an ambient temperature of :  Max: +40°C and  Min : 0°C

## 5. ENCLOSURE

The enclosure of the assembly is :  IP30  
The assembly material is :  Steel with Surface coating  
 Plastic without Surface coating

## 6. POSITIONING

The assembly is made for indoor installation on :  Floor  Wall

## 7. DIMENSIONS AND WEIGHTS

Height : 315 mm  
Width : 305 mm  
Depth : 175 mm  
Weight : 7 kg

## 8. CABLE ENTRIES

Inlets:  Top, Left side  
 Top, Right side  
 Bottom, Left side  
 Bottom, Right side  
 Back side

Outlets:  Top, Left side  
 Top, Right side  
 Bottom, Left side  
 Bottom, Right side

## 9. CONNECTIONS

Power Circuits :  Input  Output  
 Component terminals  
 Cable plug

Control Circuits :  Terminals

THIS DRAWING AND SPECIFICATIONS HEREIN ARE THE PROPERTY OF AMERICAN POWER CONVERSION AND SHALL NOT BE COPIED, REPRODUCED OR USED IN WHOLE OR IN PART, AS THE BASIS FOR THE MANUFACTURE OR SALE OF ITEMS WITHOUT WRITTEN PERMISSION FROM APC. THIS DRAWING IS BASED UPON LATEST AVAILABLE INFORMATION AND IS SUBJECT TO CHANGE WITHOUT NOTICE.

TITLE: SMART-UPS VT 10-20kVA  
MAINTENANCE BYPASS PANEL  
INPUT 3x400/230V  
SPECIFICATION

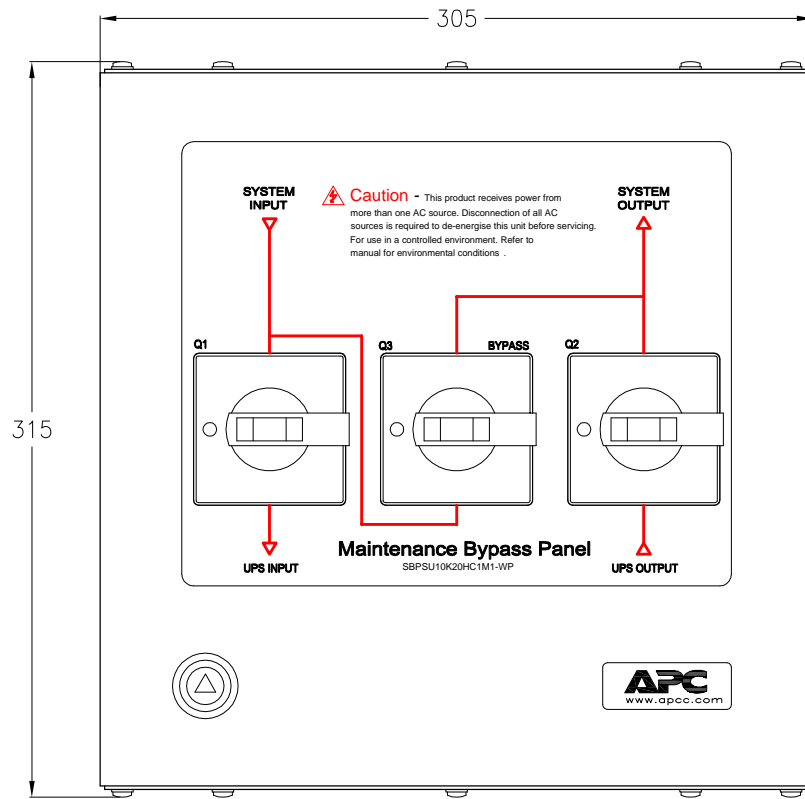
DWG NO: SBPSU10K20HC1M1-WP-SP  
DRAWN BY: BALAMURUGAN  
CHECKED BY: P.ORMROD/P.RAUN  
ENGINEER: S.WAGH

REV. -  
20/04/06  
20/04/06  
20/04/06

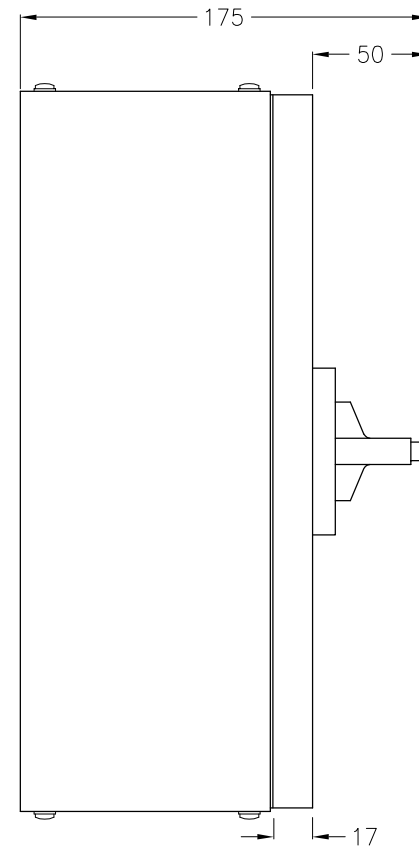


**APC**<sup>®</sup>  
AMERICAN POWER CONVERSION  
132 FAIRGROUNDS RD  
WEST KINGSTON, RI 02892

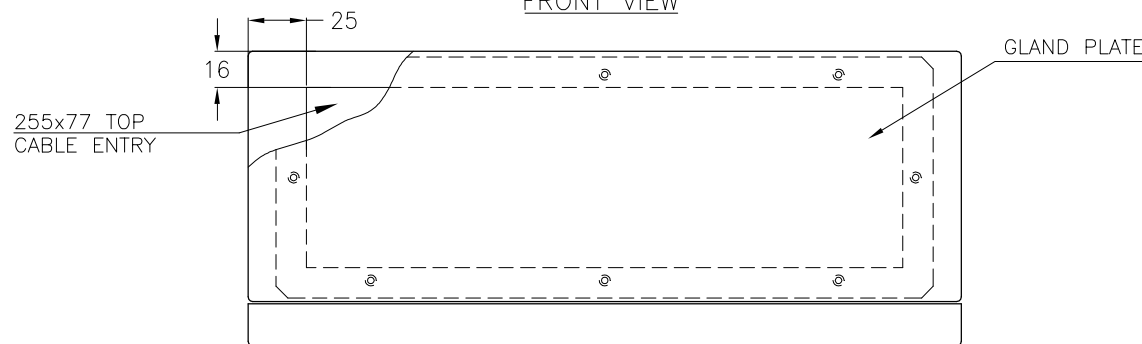
PROJECT: SUBMITTAL DRAWINGS SHEET 1 OF 6



FRONT VIEW



SIDE VIEW



TOP VIEW (WITHOUT HANDLES)

914mm  
MINIMUM SERVICE  
CLEARANCE

NOTES:

1. ALL DIMENSIONS ARE IN MILLIMETERS
2. CABLE ENTRY IS TOP OR BOTTOM OF UNIT
3. UNIT WEIGHT = 7 Kg
4. INSTALLATION MUST COMPLY WITH NATIONAL AND LOCAL ELECTRICAL REGULATIONS.

THIS DRAWING AND SPECIFICATIONS HEREIN ARE THE PROPERTY OF AMERICAN POWER CONVERSION AND SHALL NOT BE COPIED, REPRODUCED OR USED IN WHOLE OR IN PART, AS THE BASIS FOR THE MANUFACTURE OR SALE OF ITEMS WITHOUT WRITTEN PERMISSION FROM APC. THIS DRAWING IS BASED UPON LATEST AVAILABLE INFORMATION AND IS SUBJECT TO CHANGE WITHOUT NOTICE.

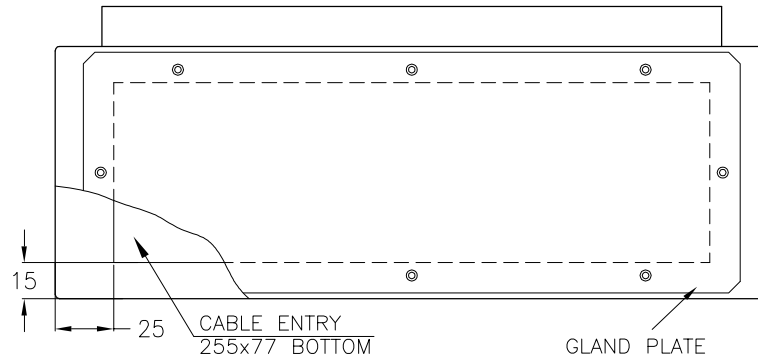
TITLE: SMART-UPS VT 10-20kVA  
MAINTENANCE BYPASS PANEL  
INPUT 3x400/230V  
MAIN MECHANICAL

DWG NO:	SBPSU10K20HC1M1-WP-MM1	REV.	-
DRAWN BY:	BALAMURUGAN	20/04/06	
CHECKED BY:	P.ORNROD/P.RAUN	20/04/06	
ENGINEER:	S.WAGH	20/04/06	

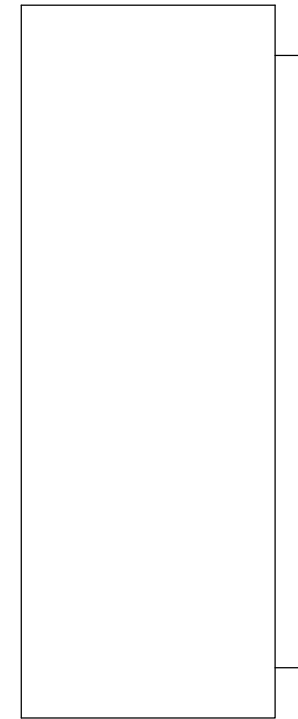
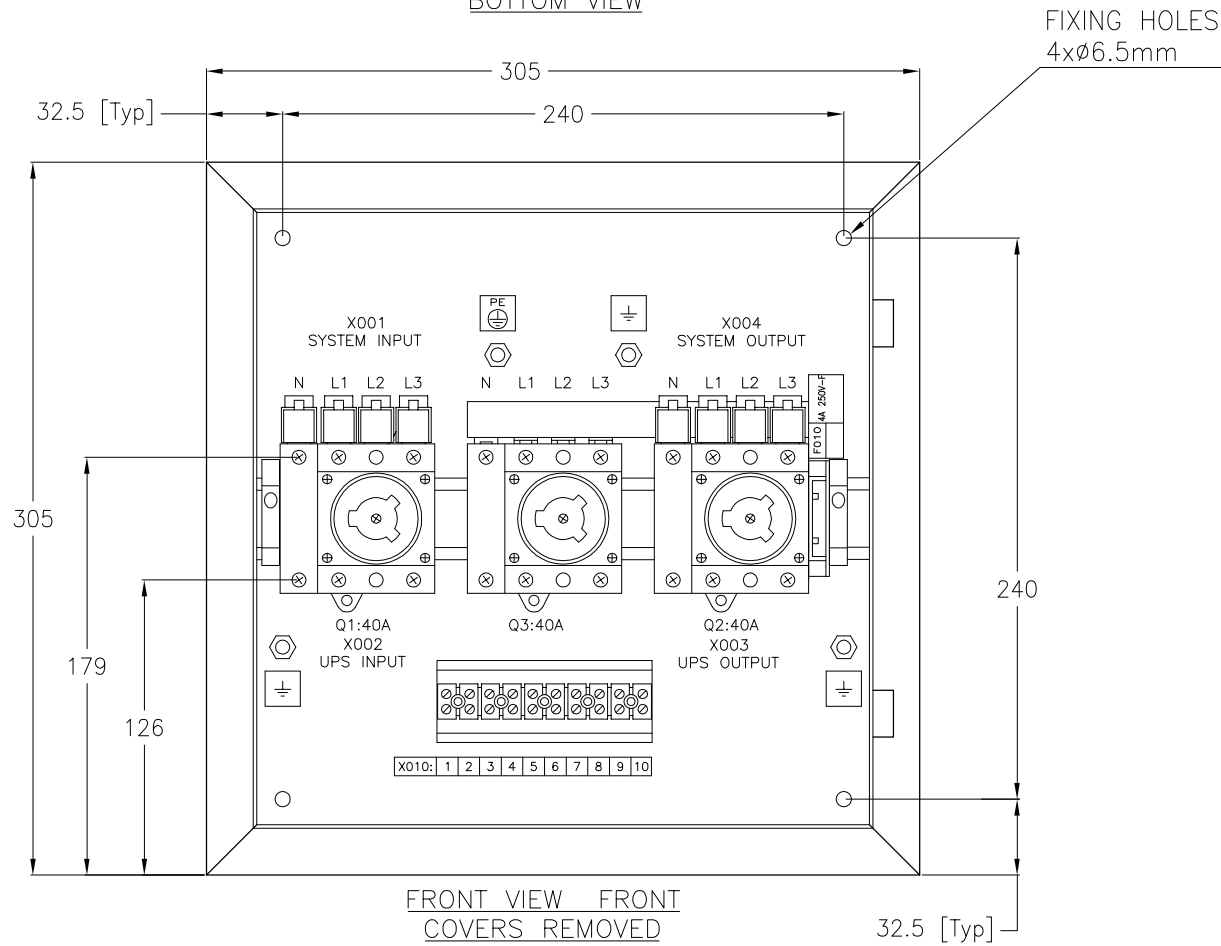
PROJECT: SUBMITTAL DRAWINGS SHEET 2 OF 6

PROJECTION





BOTTOM VIEW



SIDE VIEW

NOTES:

1. ALL DIMENSIONS ARE IN MILLIMETERS
2. INSTALLATION MUST COMPLY WITH NATIONAL AND LOCAL ELECTRICAL REGULATIONS.

THIS DRAWING AND SPECIFICATIONS HEREIN ARE THE PROPERTY OF AMERICAN POWER CONVERSION AND SHALL NOT BE COPIED, REPRODUCED OR USED IN WHOLE OR IN PART, AS THE BASIS FOR THE MANUFACTURE OR SALE OF ITEMS WITHOUT WRITTEN PERMISSION FROM APC. THIS DRAWING IS BASED UPON LATEST AVAILABLE INFORMATION AND IS SUBJECT TO CHANGE WITHOUT NOTICE.

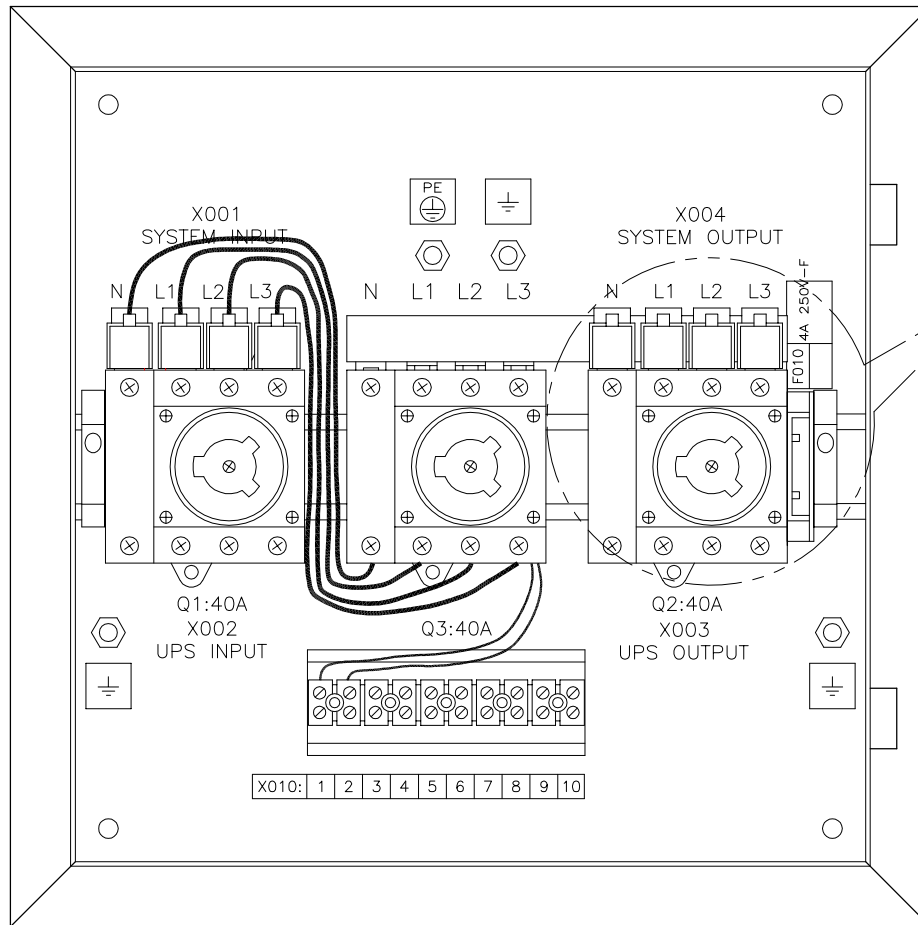
TITLE: SMART-UPS VT 10-20KVA  
MAINTENANCE BYPASS PANEL  
INPUT 3x400/230V  
MECHANICAL-INTERNAL VIEW

DWG NO:	SBPSU10K20HC1M1-WP-MM2	REV.	-
DRAWN BY:	BALAMURUGAN	20/04/06	
CHECKED BY:	P.ORNROD/P.RAUN	20/04/06	
ENGINEER:	S.WAGH	20/04/06	

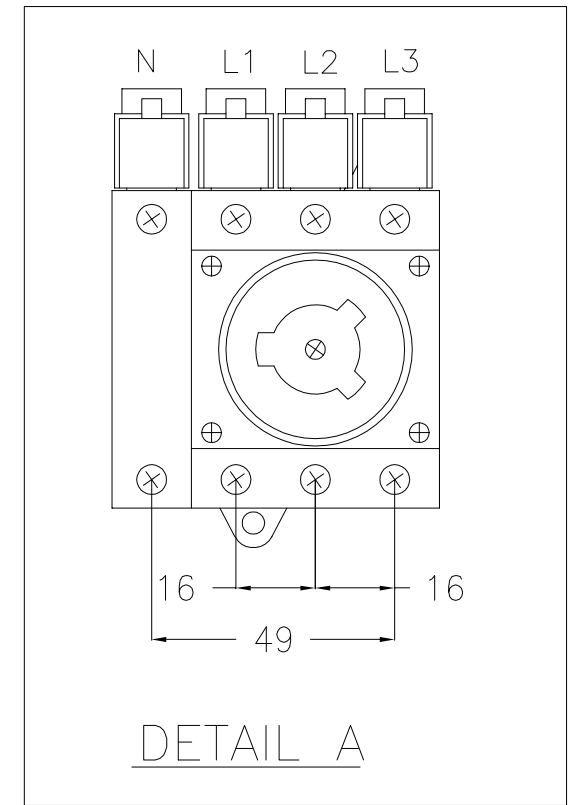
PROJECT: SUBMITTAL DRAWINGS SHEET 3 OF 6

PROJECTION





DETAIL-A



FRONT VIEW  
FRONT COVER REMOVED

NOTES:

1. ALL DIMENSIONS ARE IN MILLIMETERS
2. ALL CABINETS ARE SHOWN WITHOUT DOORS AND MOUNTING BRACKET
3. CABLE ENTRY IS TOP OR BOTTOM OF UNIT
4. INSTALLATION MUST COMPLY WITH NATIONAL AND LOCAL ELECTRICAL REGULATIONS.

THIS DRAWING AND SPECIFICATIONS HEREIN ARE THE PROPERTY OF AMERICAN POWER CONVERSION AND SHALL NOT BE COPIED, REPRODUCED OR USED IN WHOLE OR IN PART, AS THE BASIS FOR THE MANUFACTURE OR SALE OF ITEMS WITHOUT WRITTEN PERMISSION FROM APC. THIS DRAWING IS BASED UPON LATEST AVAILABLE INFORMATION AND IS SUBJECT TO CHANGE WITHOUT NOTICE.

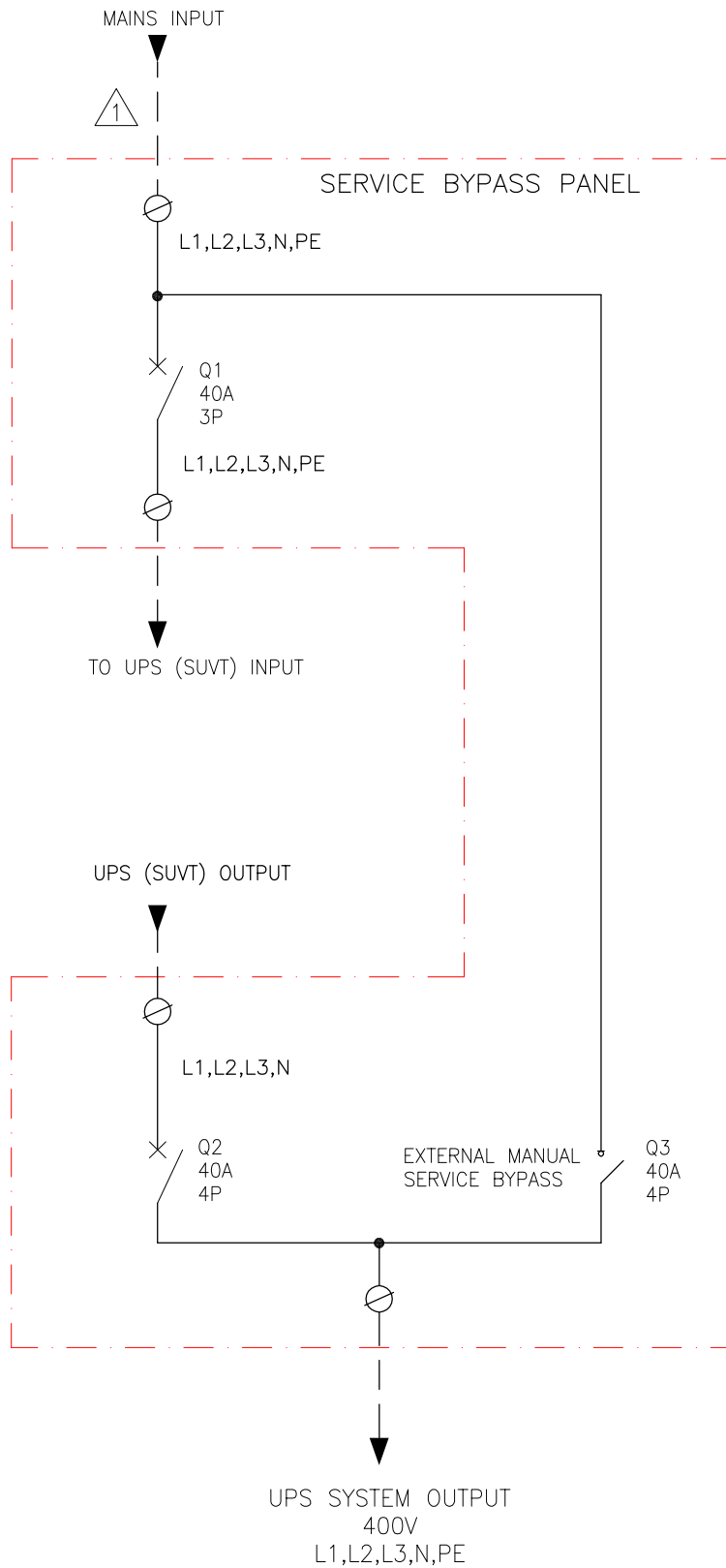
TITLE: SMART-UPS VT 10-20KVA  
MAINTENANCE BYPASS PANEL  
INPUT 3x400/230V  
INTERNAL CABLE CONNECTIONS

DWG NO: SBPSU10K20HC1M1-WP-ME  
DRAWN BY: BALAMURUGAN  
CHECKED BY: P.ORMROD/P.RAUN  
ENGINEER: S.WAGH

REV. -  
PROJECTION



PROJECT: SUBMITTAL DRAWINGS SHEET 4 OF 6



NOTE:  
 DASHED (---) LINES OUTSIDE OF SBP UNIT, REPRESENT CABLING PROVIDED BY OTHERS.

THIS DRAWING AND SPECIFICATIONS HEREIN ARE THE PROPERTY OF AMERICAN POWER CONVERSION AND SHALL NOT BE COPIED, REPRODUCED OR USED IN WHOLE OR IN PART, AS THE BASIS FOR THE MANUFACTURE OR SALE OF ITEMS WITHOUT WRITTEN PERMISSION FROM APC. THIS DRAWING IS BASED UPON LATEST AVAILABLE INFORMATION AND IS SUBJECT TO CHANGE WITHOUT NOTICE.

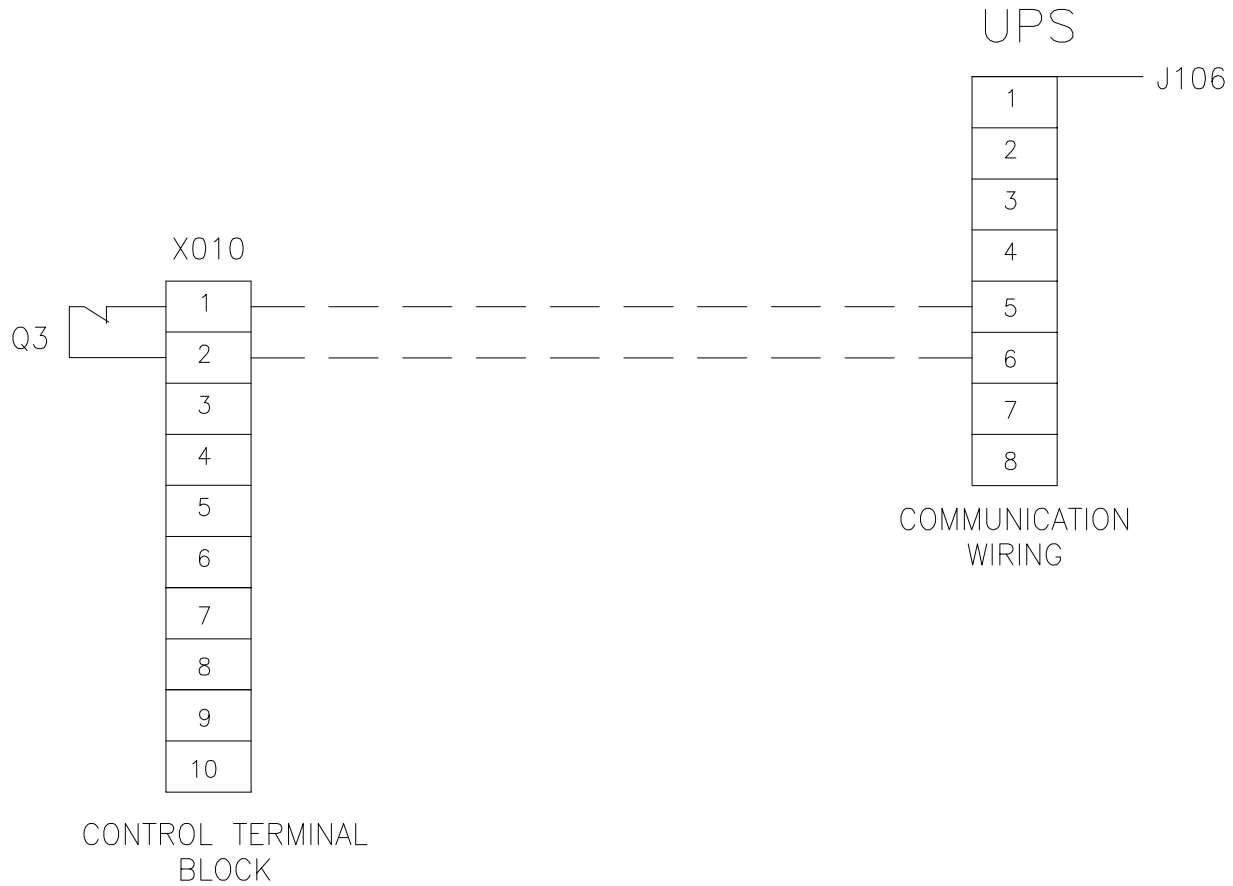
TITLE: SMART-UPS VT 10-20kVA  
 MAINTENANCE BYPASS PANEL  
 INPUT 3x400/230V  
 POWER CIRCUIT  
 PROJECT: SUBMITTAL DRAWINGS SHEET 5 OF 6

DWG NO: SBPSU10K20HC1M1-WP-ES1  
 DRAWN BY: BALAMURUGAN  
 CHECKED BY: P.ORMROD/P.RAUN  
 ENGINEER: S.WAGH

REV. -  
 PROJECTION



# CONTROL CIRCUIT



NOTE:  
 DASHED ( \_ \_ \_ ) LINES OUTSIDE OF SBP UNIT, REPRESENT CABLING PROVIDED BY OTHERS.

THIS DRAWING AND SPECIFICATIONS HEREIN ARE THE PROPERTY OF AMERICAN POWER CONVERSION AND SHALL NOT BE COPIED, REPRODUCED OR USED IN WHOLE OR IN PART, AS THE BASIS FOR THE MANUFACTURE OR SALE OF ITEMS WITHOUT WRITTEN PERMISSION FROM APC. THIS DRAWING IS BASED UPON LATEST AVAILABLE INFORMATION AND IS SUBJECT TO CHANGE WITHOUT NOTICE.

TITLE: SMART-UPS VT 10-20kVA  
 MAINTENANCE BYPASS PANEL  
 INPUT 3x400/230V  
 CONTROL CIRCUIT

PROJECT: SUBMITTAL DRAWINGS SHEET 6 OF 6

DWG NO: SBPSU10K20HC1M1-WP-ES2

DRAWN BY: BALAMURUGAN	20/04/06
CHECKED BY: P.ORMROD/P.RAJN	20/04/06
ENGINEER: S.WAGH	20/04/06

REV. -

PROJECTION

