

SYSTEM BYPASS PANEL (SBP) SPECIFICATION 1

1. SYSTEM MAINS SUPPLY RATING

- 1.1 Mains voltage (Un): 3Ph, 400V, 50Hz (provided by others)
- 1.2 Design Circuit Current (Ib): = 80 Amps
- 1.3 Rated conditional short-circuit current (Icc) : 15kA

2. STANDARDS

- 2.1 Panel will be built to IEC Publication 60439-1 and APC by Schneider Electric supplied specifications.
- 2.2 Phase identification complies with EN/CENLEC standards.

3. PANEL TRACEABILITY

- 3.1 Panel will be CE marked and approved.
- 3.2 Panel will be provided with a nameplate according to IEC60439-01 standards sub section 5.1.
- 3.3 Panel will be supplied with Unit Identification, Serial Number and signed Test Certificate.

4. ENVIRONMENTS

- 4.1 The assembly is made for an ambient temperature for operation of : 0°C to 40°C.
- 4.2 The assembly is made for an ambient temperature for storage of : -15°C to 40°C.

5. ENCLOSURE

- 5.1 The assembly material is steel with surface coating.
- 5.2 Internal marking of the unit complies with IEC60439-1 standard, sub-section 5.1.
- 5.3 A power flow single line label set shall be on the front of the panel so as to indicate the electrical power flow of the circuit.
- 5.4 The assembly is made for Indoor Wall Installation.
- 5.5 Panel will allow for Universal external cable entry and exit & comply with Form 2 IP2X according to IEC60439-1 standards.

6. ELECTRICAL CONDUCTORS

- 6.1 All AC cabling and terminals blocks are labeled as L1, L2, L3, N and PE.
- 6.2 All cables will be halogen free.
- 6.3 Power wiring and control wiring are segregated.
- 6.4 Power cabling will have greater or equal current carrying capacity than the highest functional unit.
- 6.5 Phases will be identified at all connection points.

THIS DRAWING AND SPECIFICATIONS HEREIN ARE THE PROPERTY OF SCHNEIDER ELECTRIC AND SHALL NOT BE COPIED, REPRODUCED OR USED IN WHOLE OR IN PART, AS THE BASIS FOR THE MANUFACTURE OR SALE OF ITEMS WITHOUT WRITTEN PERMISSION FROM SCHNEIDER ELECTRIC. THIS DRAWING IS BASED UPON LATEST AVAILABLE INFORMATION AND IS SUBJECT TO CHANGE WITHOUT NOTICE.

Schneider
Electric

TITLE:

SUVT AND GALAXY 3500
30 TO 40kVA, 400V, 3PH
SYSTEM BYPASS PANEL (SBP)
SPECIFICATION-1

DWG NO:

SBPSU30K40HC1M1-WP

REV.

1

DRAWN:

C.KRISHNA

06-JUL-09

ANGLE

ENGINEER:

I.KENNEDY

06-JUL-09

PROJECTION

PROJECT: SUBMITTAL DRAWINGS

SHEET 1 OF 8

APPROVED:

C.LARSEN

06-JUL-09

N.A

SYSTEM BYPASS PANEL (SBP) SPECIFICATION 2

7. POWER CIRCUIT

- 7.1 Q1 is a 3P 80A switch.
- 7.2 Q2 is a 4P 80A switch.
- 7.3 Q3 is a 4P 80A switch.
- 7.4 F010 is a 4A 250V Fuse.

8. CONTROL CIRCUIT

- 8.1 Control Cabling will be labeled at all connection points.
- 8.2 Cables will be terminated with insulated ferrules or crimps.
- 8.3 Auxiliary NC contact on Q3 will be early break with respect to the main pole of Q3.
- 8.4 Number of voltage free contacts:
 - 1 pc. no. for Q3.

9. CONNECTIONS

- 9.1 Panel will allow for Universal external cable entry and exit & comply with Form 2 IP2X according to IEC60439-01 standards.
- 9.2 Incoming and outgoing cables will be connected to terminals in enclosure section.
- 9.3 Control wiring are direct unbroken connections from each functional unit.

10. PACKAGING

- 10.1 Panel will be completely covered, secured in a box and have external identification, APC by Schneider Electric Serial number, dimensions and weight as per APC by Schneider Electric Packaging Specifications.
- 10.2 Panel must be packaged to allow for safe shipment by road or rail anywhere in Europe Middle East or Africa Region.

THIS DRAWING AND SPECIFICATIONS HEREIN ARE THE PROPERTY OF SCHNEIDER ELECTRIC AND SHALL NOT BE COPIED, REPRODUCED OR USED IN WHOLE OR IN PART, AS THE BASIS FOR THE MANUFACTURE OR SALE OF ITEMS WITHOUT WRITTEN PERMISSION FROM SCHNEIDER ELECTRIC. THIS DRAWING IS BASED UPON LATEST AVAILABLE INFORMATION AND IS SUBJECT TO CHANGE WITHOUT NOTICE.



TITLE:
SUVT AND GALAXY 3500
30 TO 40kVA, 400V, 3PH
SYSTEM BYPASS PANEL (SBP)
SPECIFICATION-2

PROJECT: SUBMITTAL DRAWINGS | SHEET 2 OF 8

DWG NO: SBPSU30K40HC1M1-WP

DRAWN: C. KRISHNA 06-JUL-09

ENGINEER: I. KENNEDY 06-JUL-09

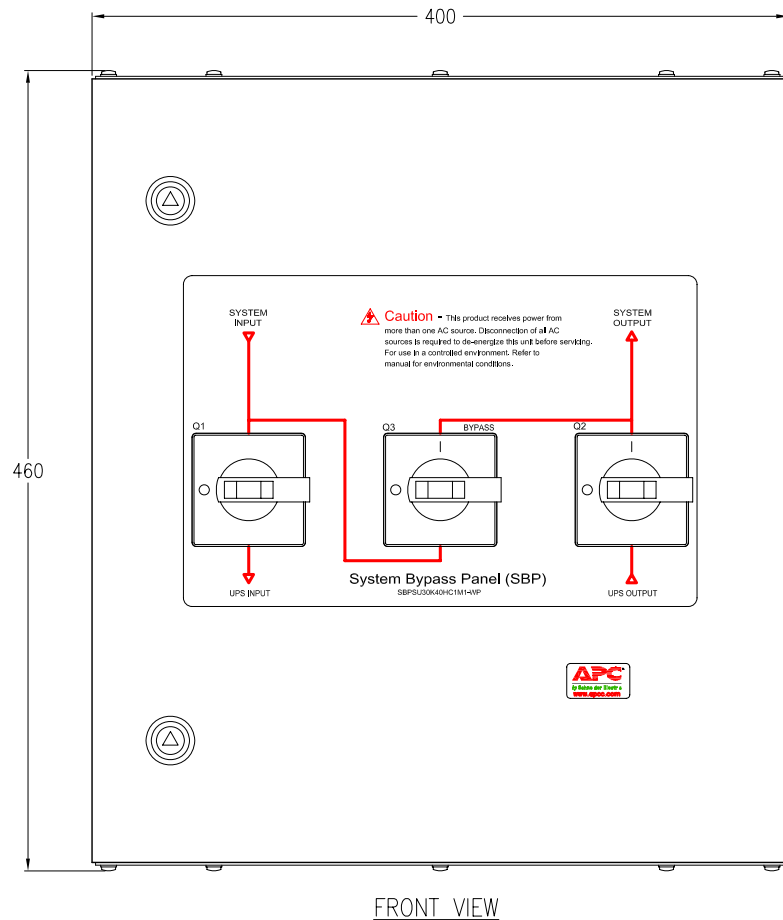
APPROVED: C. LARSEN 06-JUL-09

REV. 1

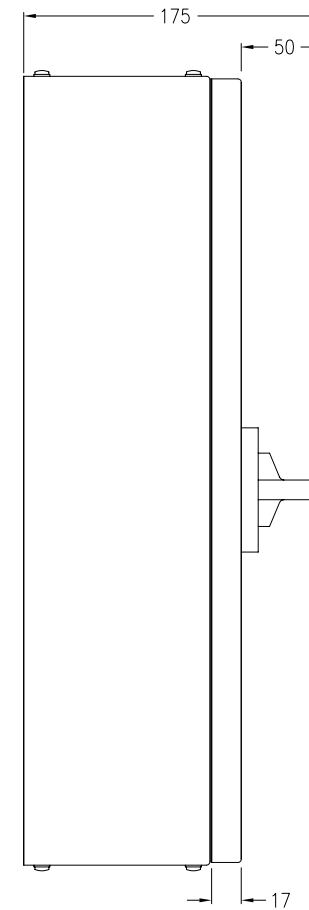
ANGLE

PROJECTION

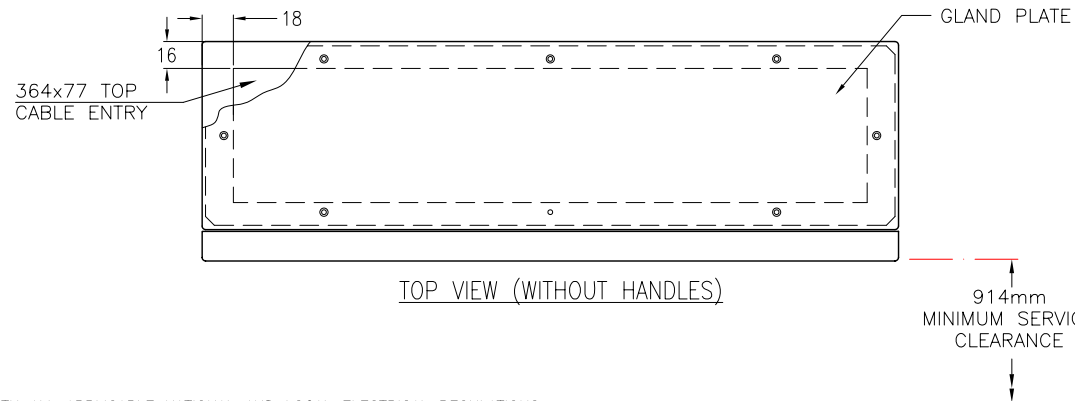
N.A



FRONT VIEW



SIDE VIEW



TOP VIEW (WITHOUT HANDLES)

NOTES:

1. INSTALLATION SHALL COMPLY WITH ALL APPLICABLE NATIONAL AND LOCAL ELECTRICAL REGULATIONS.
2. PLEASE REFER TO PRODUCT MANUALS FOR ADDITIONAL DETAILS.
3. ALL DIMENSIONS ARE IN MILLIMETERS UNLESS OTHERWISE SPECIFIED.
4. CABLE ENTRY IS TOP OR BOTTOM OF UNIT.
5. WEIGHT OF UNIT IS 11 kg.
6. ENCLOSURE COLOR IS BLACK.

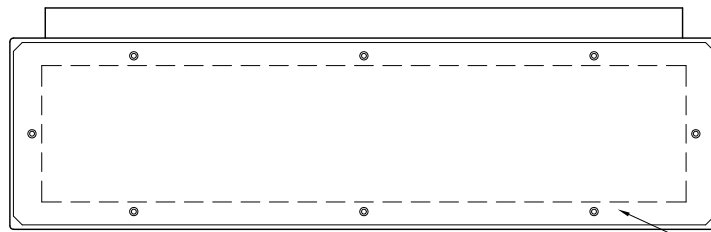
THIS DRAWING AND SPECIFICATIONS HEREIN ARE THE PROPERTY OF SCHNEIDER ELECTRIC AND SHALL NOT BE COPIED, REPRODUCED OR USED IN WHOLE OR IN PART, AS THE BASIS FOR THE MANUFACTURE OR SALE OF ITEMS WITHOUT WRITTEN PERMISSION FROM SCHNEIDER ELECTRIC. THIS DRAWING IS BASED UPON LATEST AVAILABLE INFORMATION AND IS SUBJECT TO CHANGE WITHOUT NOTICE.



TITLE:
SUVT AND GALAXY 3500
30 TO 40kVA, 400V, 3PH
SYSTEM BYPASS PANEL (SBP)
MAIN MECHANICAL
PROJECT: SUBMITTAL DRAWINGS SHEET 3 OF 8

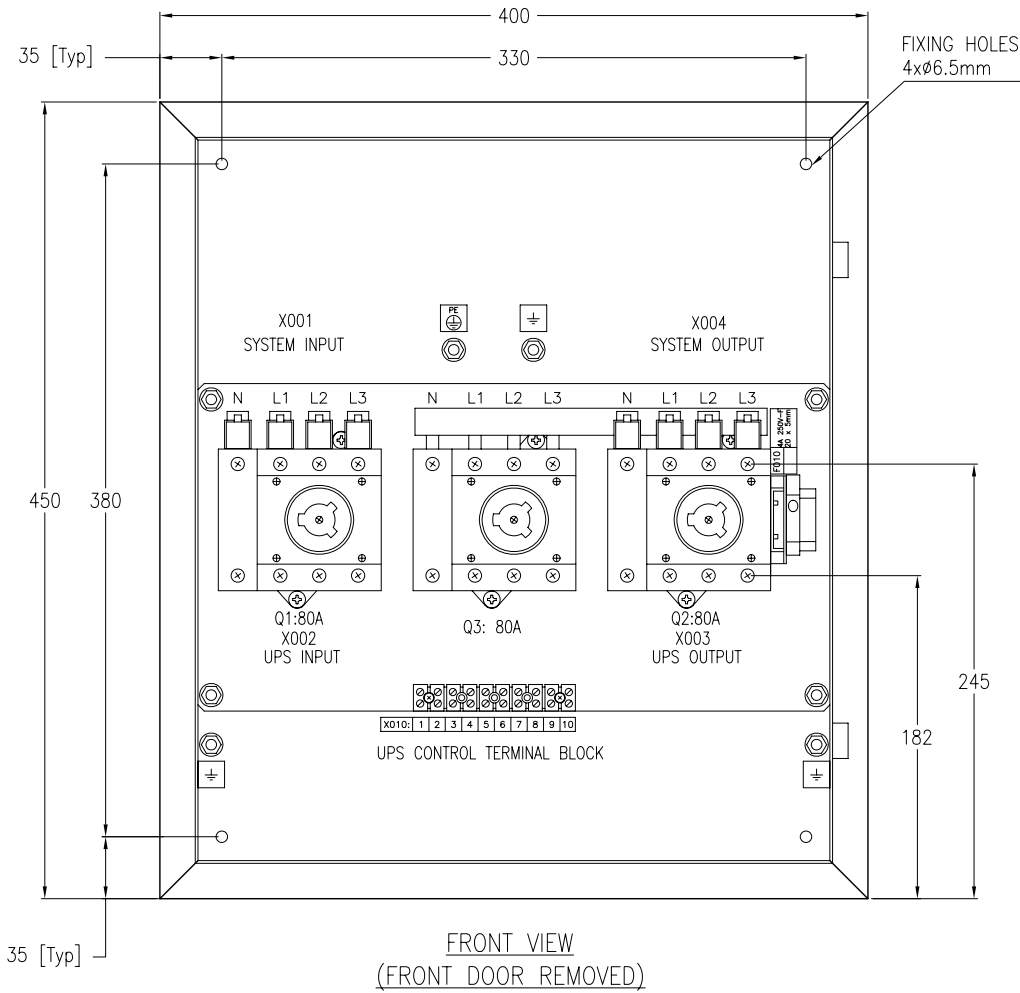
DWG NO: SBPSU30K40HC1M1-WP
DRAWN: C.KRISHNA 06-JUL-09
ENGINEER: I.KENNEDY 06-JUL-09
APPROVED: C.LARSEN 06-JUL-09

REV. 1
FIRST ANGLE PROJECTION

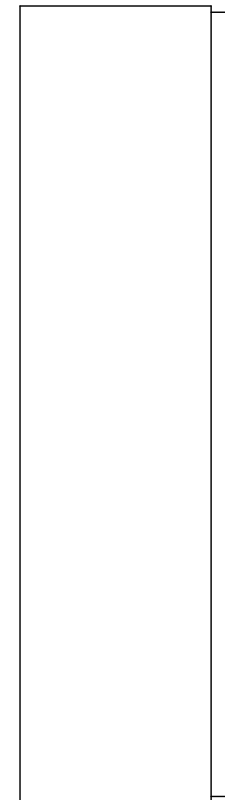


BOTTOM VIEW

GLAND PLATE



FRONT VIEW
(FRONT DOOR REMOVED)



SIDE VIEW

NOTES:

1. INSTALLATION SHALL COMPLY WITH ALL APPLICABLE NATIONAL AND LOCAL ELECTRICAL REGULATIONS.
2. PLEASE REFER TO PRODUCT MANUALS FOR ADDITIONAL DETAILS.
3. ALL DIMENSIONS ARE IN MILLIMETERS UNLESS OTHERWISE SPECIFIED.

THIS DRAWING AND SPECIFICATIONS HEREIN ARE THE PROPERTY OF SCHNEIDER ELECTRIC AND SHALL NOT BE COPIED, REPRODUCED OR USED IN WHOLE OR IN PART, AS THE BASIS FOR THE MANUFACTURE OR SALE OF ITEMS WITHOUT WRITTEN PERMISSION FROM SCHNEIDER ELECTRIC. THIS DRAWING IS BASED UPON LATEST AVAILABLE INFORMATION AND IS SUBJECT TO CHANGE WITHOUT NOTICE.



TITLE:
SUVT AND GALAXY 3500
30 TO 40kVA, 400V, 3PH
SYSTEM BYPASS PANEL (SBP)
MECHANICAL-INTERNAL VIEW

PROJECT: SUBMITTAL DRAWINGS SHEET 4 OF 8

DWG NO: SBPSU30K40HC1M1-WP

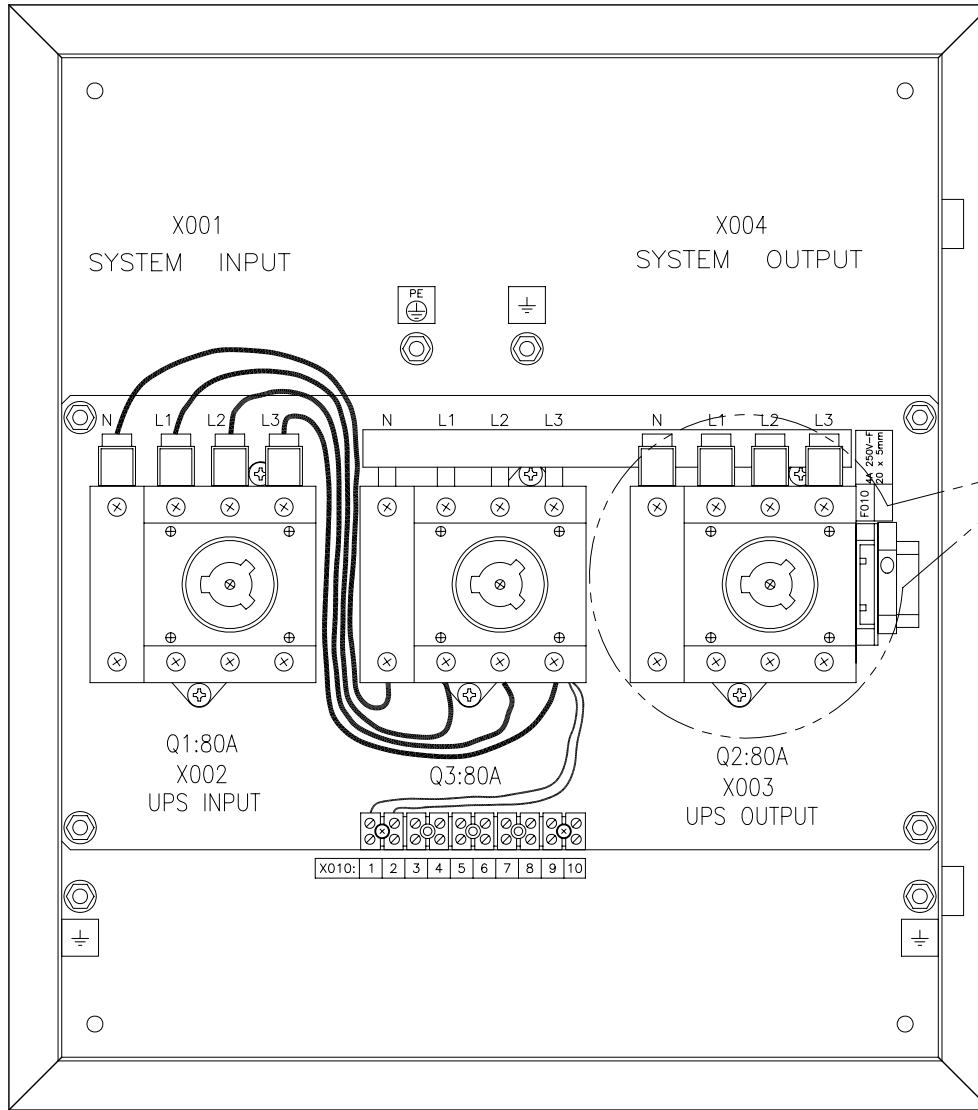
DRAWN: C.KRISHNA 06-JUL-09

ENGINEER: I.KENNEDY 06-JUL-09

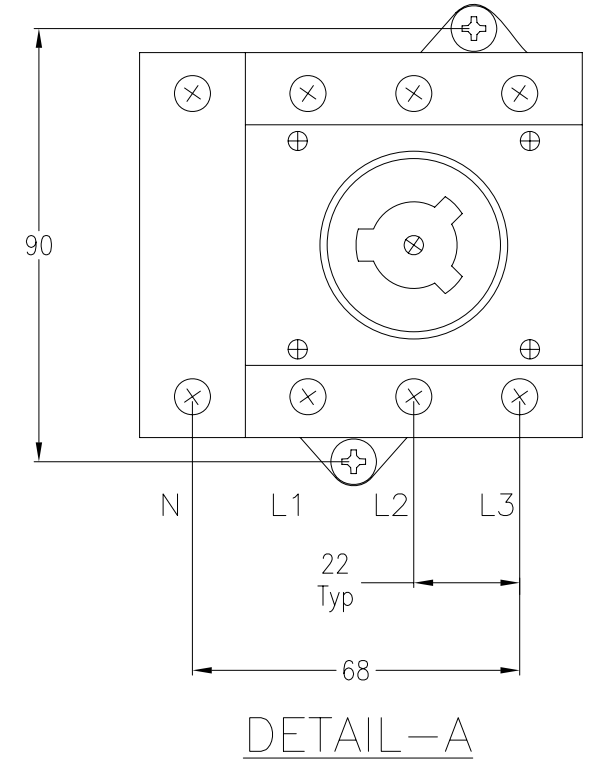
APPROVED: C.LARSEN 06-JUL-09

REV. 1

FIRST ANGLE PROJECTION



FRONT VIEW
FRONT COVER REMOVED



NOTES:

1. INSTALLATION SHALL COMPLY WITH ALL APPLICABLE NATIONAL AND LOCAL ELECTRICAL REGULATIONS.
2. PLEASE REFER TO PRODUCT MANUALS FOR ADDITIONAL DETAILS.
3. ALL DIMENSIONS ARE IN MILLIMETERS UNLESS OTHERWISE SPECIFIED.
4. ALL CABINETS ARE SHOWN WITHOUT DOORS AND MOUNTING BRACKET
5. CABLE ENTRY IS TOP OR BOTTOM OF UNIT

THIS DRAWING AND SPECIFICATIONS HEREIN ARE THE PROPERTY OF SCHNEIDER ELECTRIC AND SHALL NOT BE COPIED, REPRODUCED OR USED IN WHOLE OR IN PART, AS THE BASIS FOR THE MANUFACTURE OR SALE OF ITEMS WITHOUT WRITTEN PERMISSION FROM SCHNEIDER ELECTRIC. THIS DRAWING IS BASED UPON LATEST AVAILABLE INFORMATION AND IS SUBJECT TO CHANGE WITHOUT NOTICE.



TITLE:
SUVT AND GALAXY 3500
30 TO 40kVA, 400V, 3PH
SYSTEM BYPASS PANEL (SBP)
INTERNAL CABLE CONNECTIONS

PROJECT: SUBMITTAL DRAWINGS SHEET 5 OF 8

DWG NO: SBPSU30K40HC1M1-WP

DRAWN: C.KRISHNA 06-JUL-09

ENGINEER: I.KENNEDY 06-JUL-09

APPROVED: C.LARSEN 06-JUL-09

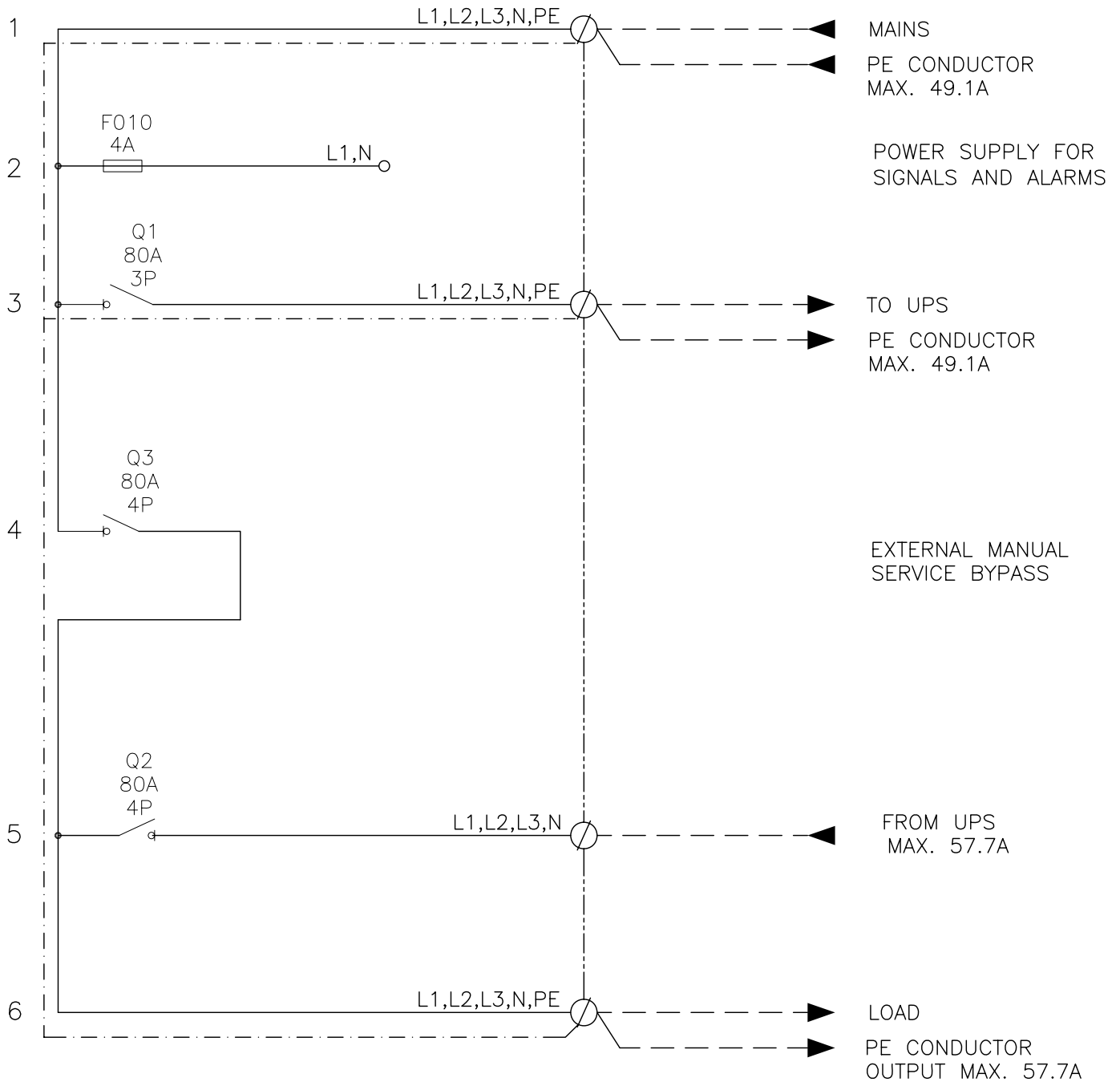
REV. 1

FIRST

ANGLE

PROJECTION

POWER CIRCUIT



NOTES:

1. DASH-DOT (- · - · - ·) LINES INSIDE OF SBP UNIT, REPRESENT PE-CONDUCTOR CONNECTION.
2. DASHED (- - -) LINES OUTSIDE OF SBP UNIT, REPRESENT CABLING PROVIDED BY OTHERS.

THIS DRAWING AND SPECIFICATIONS HEREIN ARE THE PROPERTY OF SCHNEIDER ELECTRIC AND SHALL NOT BE COPIED, REPRODUCED OR USED IN WHOLE OR IN PART, AS THE BASIS FOR THE MANUFACTURE OR SALE OF ITEMS WITHOUT WRITTEN PERMISSION FROM SCHNEIDER ELECTRIC. THIS DRAWING IS BASED UPON LATEST AVAILABLE INFORMATION AND IS SUBJECT TO CHANGE WITHOUT NOTICE.



TITLE:
 SUVT AND GALAXY 3500
 30 TO 40kVA, 400V, 3PH
 SYSTEM BYPASS PANEL (SBP)
 POWER CIRCUIT

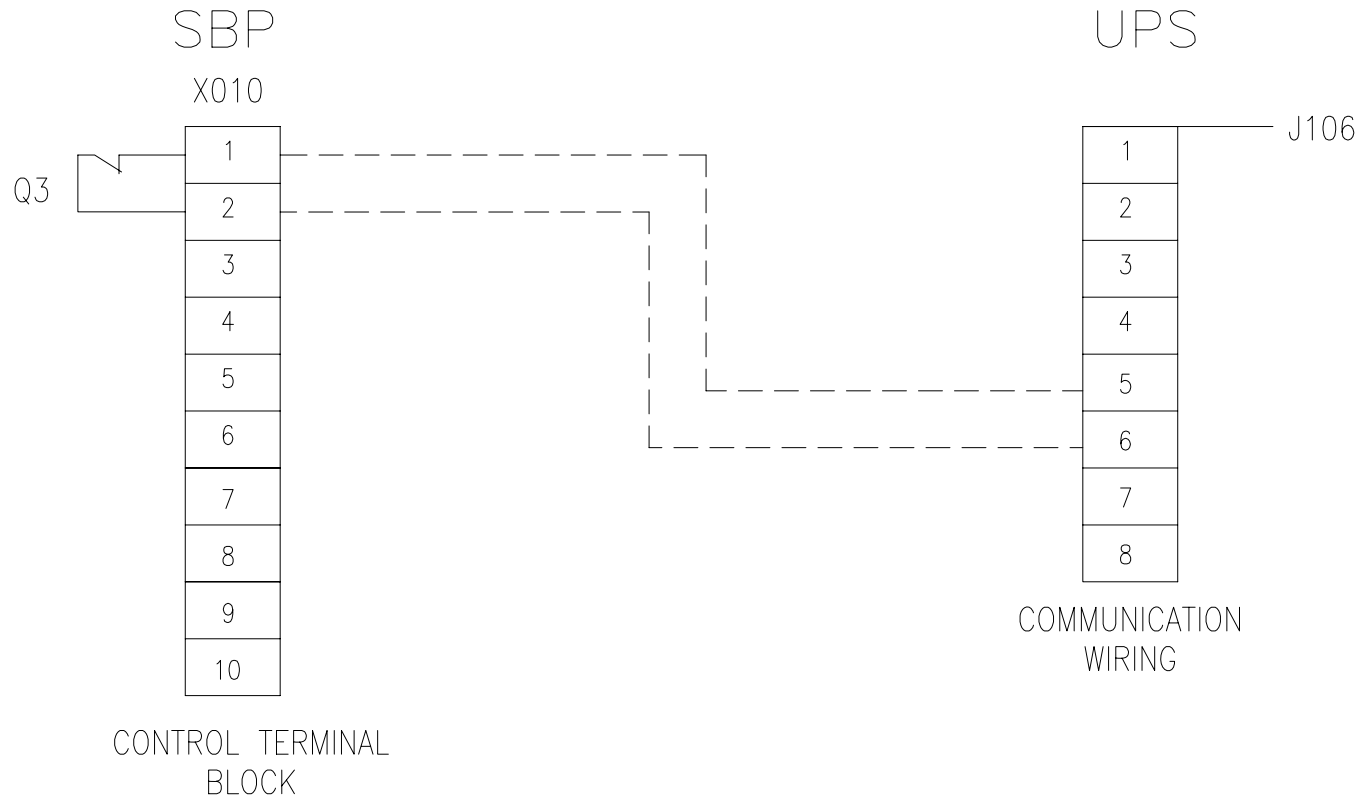
PROJECT: SUBMITTAL DRAWINGS | SHEET 6 OF 8

DWG NO: SBPSU30K40HC1M1-WP

DRAWN: C. KRISHNA	06-JUL-09	ANGLE
ENGINEER: I. KENNEDY	06-JUL-09	PROJECTION
APPROVED: C. LARSEN	06-JUL-09	N.A.

REV. 1

CONTROL CIRCUIT



NOTES:

1. DASHED (_ _) LINES OUTSIDE OF SBP UNIT, REPRESENT CABLING PROVIDED BY OTHERS.

THIS DRAWING AND SPECIFICATIONS HEREIN ARE THE PROPERTY OF SCHNEIDER ELECTRIC AND SHALL NOT BE COPIED, REPRODUCED OR USED IN WHOLE OR IN PART, AS THE BASIS FOR THE MANUFACTURE OR SALE OF ITEMS WITHOUT WRITTEN PERMISSION FROM SCHNEIDER ELECTRIC. THIS DRAWING IS BASED UPON LATEST AVAILABLE INFORMATION AND IS SUBJECT TO CHANGE WITHOUT NOTICE.



TITLE:
SUVT AND GALAXY 3500
30 TO 40KVA, 400V, 3PH
SYSTEM BYPASS PANEL (SBP)
CONTROL CIRCUIT

PROJECT: SUBMITTAL DRAWINGS SHEET 7 OF 8

DWG NO: SBPSU30K40HC1M1-WP

DRAWN: C.KRISHNA

ENGINEER: I.KENNEDY

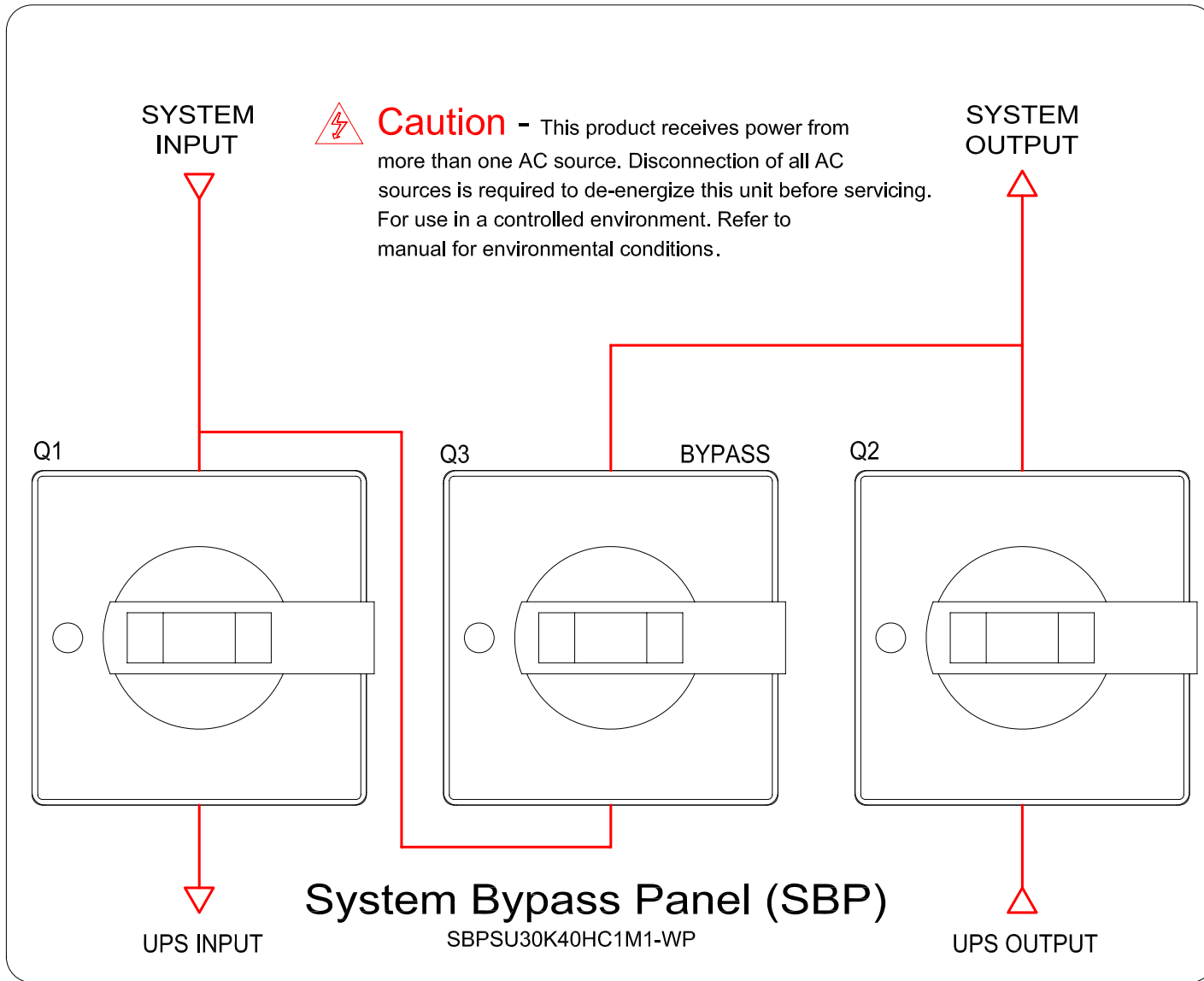
APPROVED: C.LARSEN

REV. 1

ANGLE

PROJECTION

N.A



Caution - This product receives power from more than one AC source. Disconnection of all AC sources is required to de-energize this unit before servicing. For use in a controlled environment. Refer to manual for environmental conditions.

System Bypass Panel (SBP)

SBPSU30K40HC1M1-WP

THIS DRAWING AND SPECIFICATIONS HEREIN ARE THE PROPERTY OF SCHNEIDER ELECTRIC AND SHALL NOT BE COPIED, REPRODUCED OR USED IN WHOLE OR IN PART, AS THE BASIS FOR THE MANUFACTURE OR SALE OF ITEMS WITHOUT WRITTEN PERMISSION FROM SCHNEIDER ELECTRIC. THIS DRAWING IS BASED UPON LATEST AVAILABLE INFORMATION AND IS SUBJECT TO CHANGE WITHOUT NOTICE.



TITLE:
SUVT AND GALAXY 3500
30 TO 40kVA, 400V, 3PH
SYSTEM BYPASS PANEL (SBP)
MIMIC DIAGRAM
PROJECT: SUBMITTAL DRAWINGS SHEET 8 OF 8

DWG NO:	SBPSU30K40HC1M1-WP		REV:	1
DRAWN:	C. KRISHNA	06-JUL-09	ANGLE	
ENGINEER:	I. KENNEDY	06-JUL-09	PROJECTION	
APPROVED:	C. LARSEN	06-JUL-09		N.A