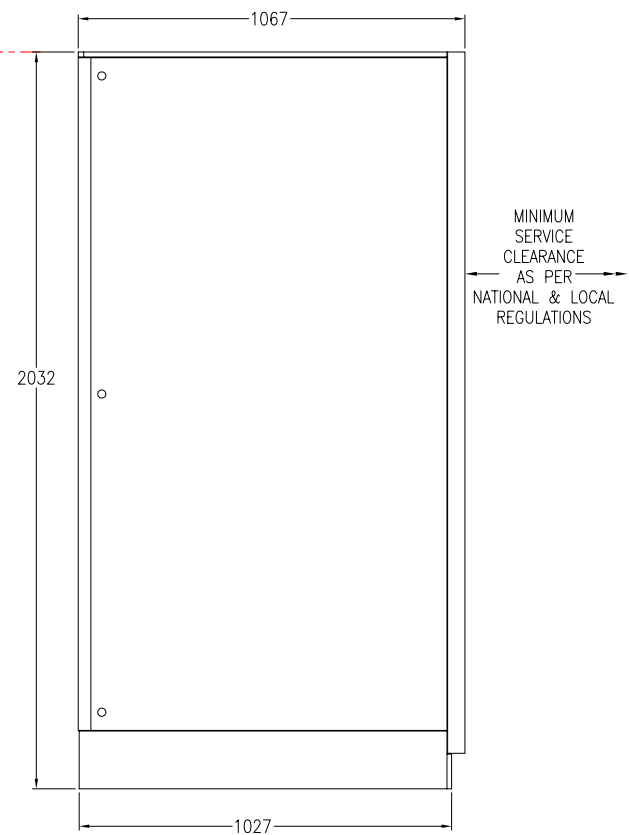
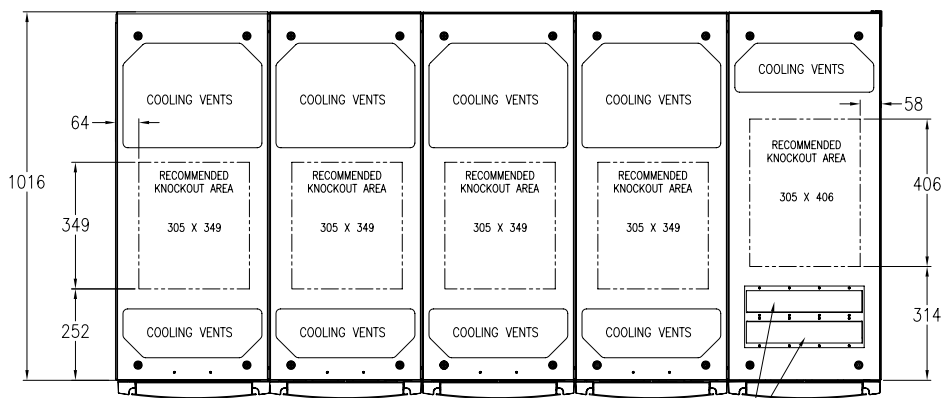


FRONT VIEW

500  
CLEARANCE FOR  
VENTILATION



SIDE VIEW



TOP VIEW

COM CONNECTION

- NOTES:
1. INSTALLATION MUST COMPLY WITH ALL APPLICABLE NATIONAL AND LOCAL ELECTRICAL REGULATIONS.
  2. PLEASE REFER TO THE PRODUCT MANUALS FOR DETAILED INFORMATION.
  3. ALL DIMENSIONS ARE IN MILLIMETERS, UNLESS OTHERWISE SPECIFIED.
  4. WEIGHT OF UNIT (TOTAL) = 1390 kg.
  5. TOP CABLE ENTRY ONLY.

THIS DRAWING AND SPECIFICATIONS HEREIN ARE THE PROPERTY OF AMERICAN POWER CONVERSION AND SHALL NOT BE COPIED, REPRODUCED OR USED IN WHOLE OR IN PART, AS THE BASIS FOR THE MANUFACTURE OR SALE OF ITEMS WITHOUT WRITTEN PERMISSION FROM APC. THIS DRAWING IS BASED UPON LATEST AVAILABLE INFORMATION AND IS SUBJECT TO CHANGE WITHOUT NOTICE.



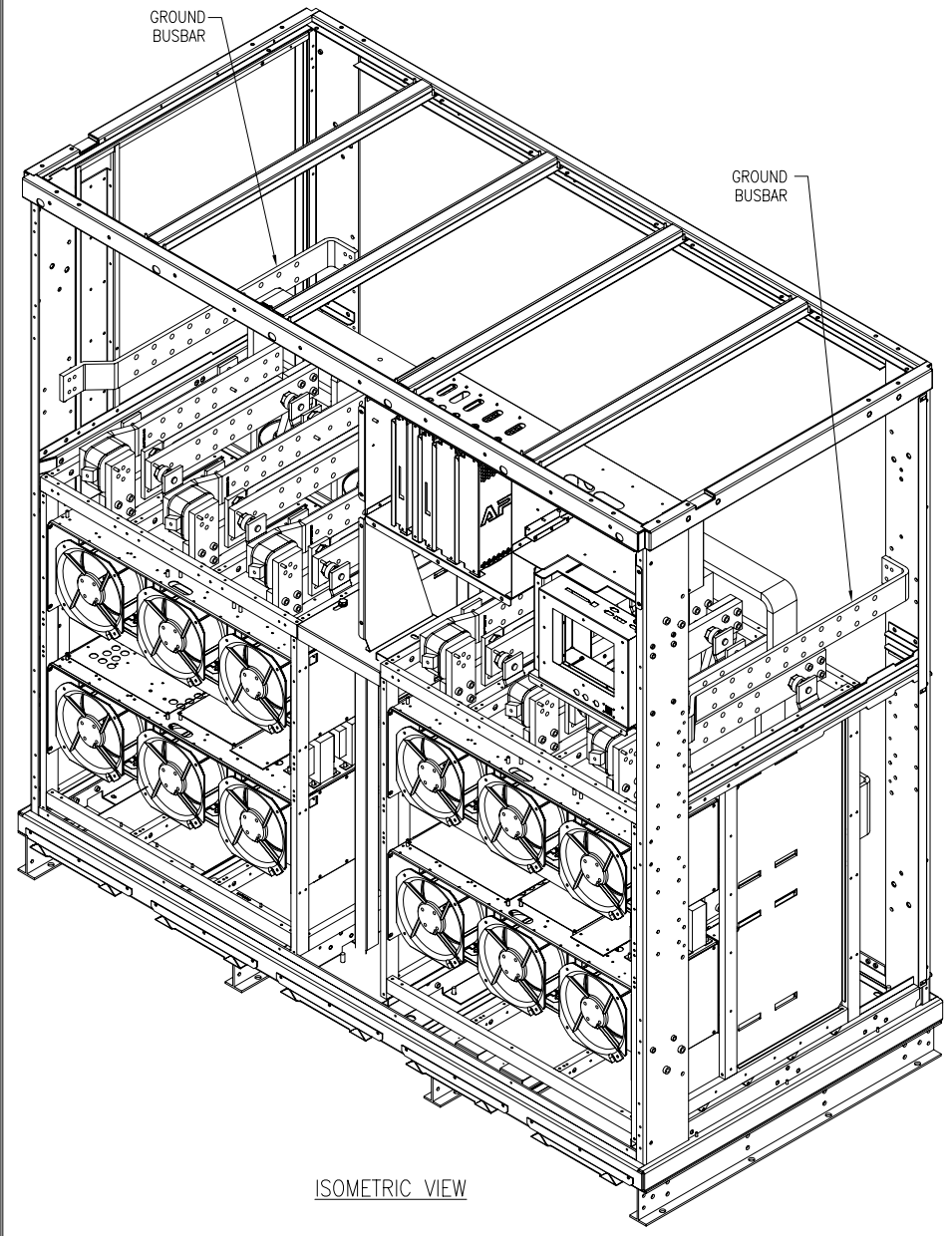
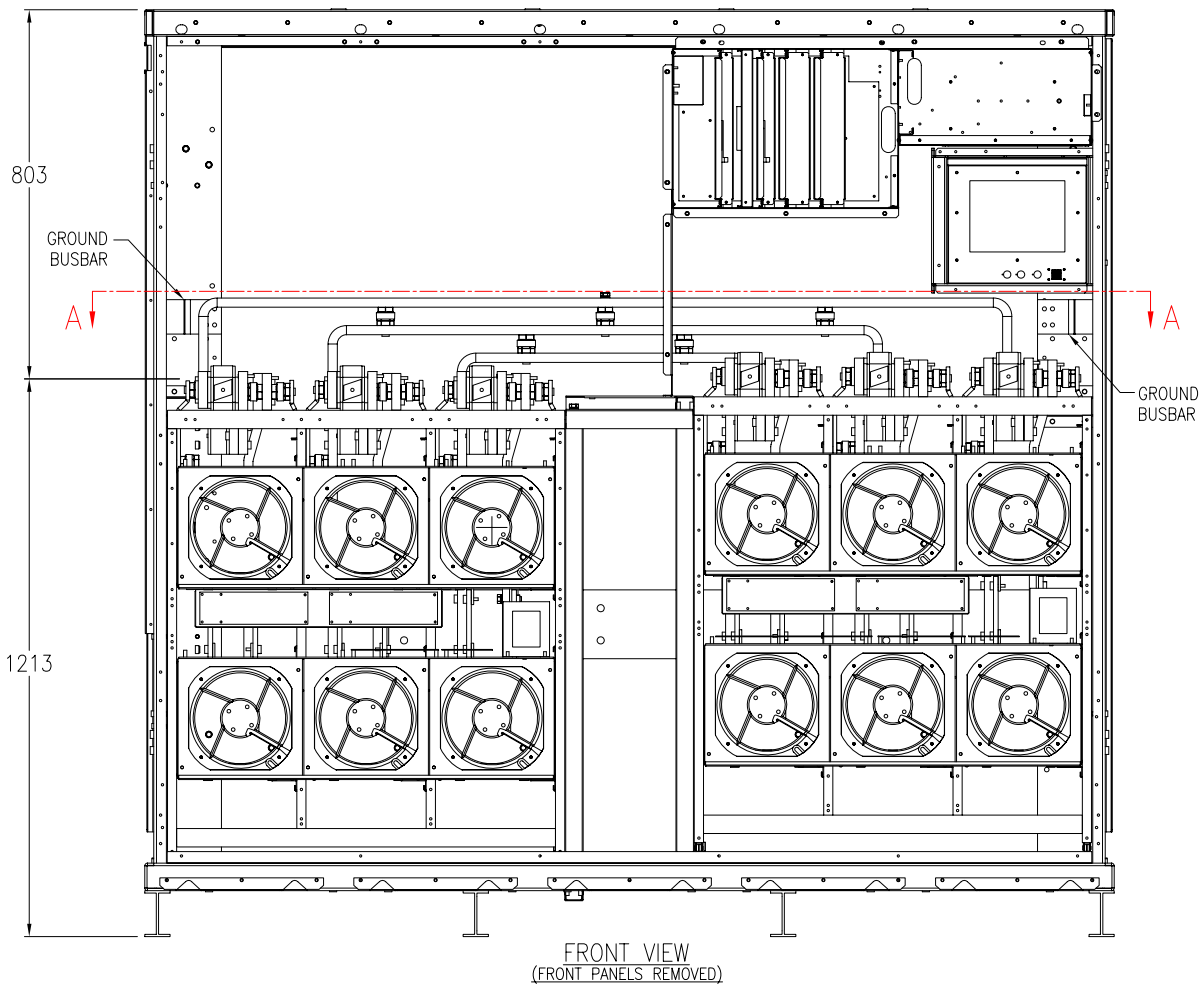
TITLE: SYMMETRA MW UPS  
400V AC, 3PH, 4000kW  
EXTERNAL STATIC SWITCH  
TOP CABLE ENTRY OPTION  
MAIN MECHANICAL

PROJECT: SUBMITTAL DRAWINGS SHEET 1 OF 6

DWG NO: SYSSWT4000KH-MM

DRAWN: JAYAPRAKASH	22-SEP-08
ENGINEER: L.DUELUND	22-SEP-08
APPROVED: C LARSEN/S WAGH	22-SEP-08

REV. 3  
FIRST ANGLE PROJECTION



- NOTES:
1. INSTALLATION MUST COMPLY WITH ALL APPLICABLE NATIONAL AND LOCAL ELECTRICAL REGULATIONS.
  2. PLEASE REFER TO THE PRODUCT MANUALS FOR DETAILED INFORMATION.
  3. ALL DIMENSIONS ARE IN MILLIMETERS, UNLESS OTHERWISE SPECIFIED.
  4. SOME MECHANICAL COMPONENTS HAVE BEEN OMITTED FOR THE PURPOSE OF CLARITY.

THIS DRAWING AND SPECIFICATIONS HEREIN ARE THE PROPERTY OF AMERICAN POWER CONVERSION AND SHALL NOT BE COPIED, REPRODUCED OR USED IN WHOLE OR IN PART, AS THE BASIS FOR THE MANUFACTURE OR SALE OF ITEMS WITHOUT WRITTEN PERMISSION FROM APC. THIS DRAWING IS BASED UPON LATEST AVAILABLE INFORMATION AND IS SUBJECT TO CHANGE WITHOUT NOTICE.



TITLE: SYMMETRA MW UPS  
400V AC, 3PH, 4000kW  
EXTERNAL STATIC SWITCH  
TOP CABLE ENTRY OPTION  
INTERNAL DETAILS-FRONT VIEW

PROJECT: SUBMITTAL DRAWINGS SHEET 2 OF 6

DWG NO: SYSSWT4000KH-ME1

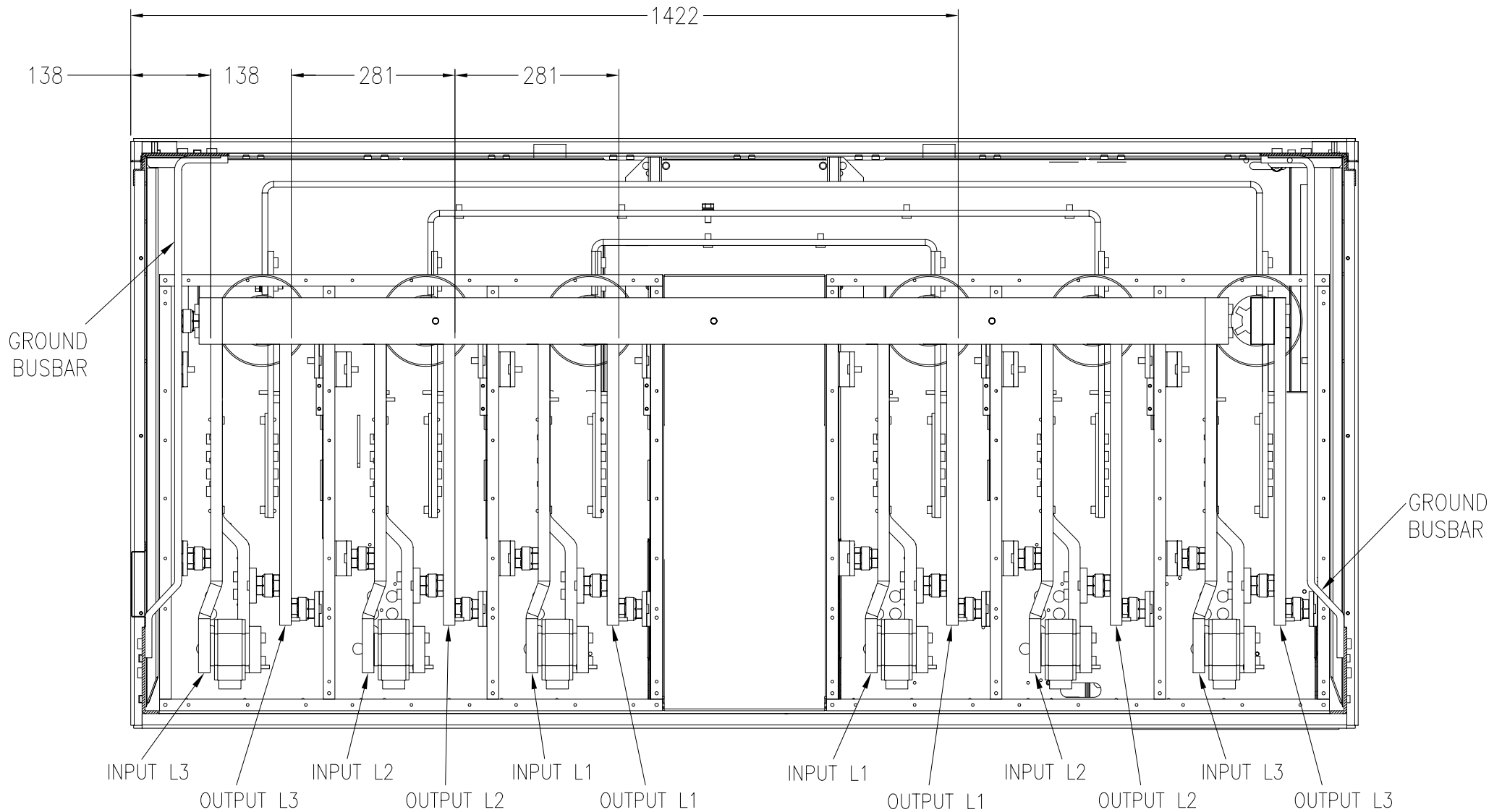
DRAWN: JAYAPRAKASH 22-SEP-08

ENGINEER: L.DUELUND 22-SEP-08

APPROVED: C LARSEN/S WAGH 22-SEP-08

REV. 3

FIRST ANGLE PROJECTION



SECTION A-A  
TOP CABLE ENTRY DETAIL

NOTES:

1. INSTALLATION MUST COMPLY WITH ALL APPLICABLE NATIONAL AND LOCAL ELECTRICAL REGULATIONS.
2. ALL DIMENSIONS ARE IN MILLIMETERS, UNLESS OTHERWISE SPECIFIED.
3. SOME MECHANICAL COMPONENTS HAVE BEEN OMITTED FOR THE PURPOSE OF CLARITY.
4. CABLE MUST BE TERMINATED TO BOTH SETS OF BUS BARS. CROSS BUS IS FOR LOAD BALANCING ONLY.

THIS DRAWING AND SPECIFICATIONS HEREIN ARE THE PROPERTY OF AMERICAN POWER CONVERSION AND SHALL NOT BE COPIED, REPRODUCED OR USED IN WHOLE OR IN PART, AS THE BASIS FOR THE MANUFACTURE OR SALE OF ITEMS WITHOUT WRITTEN PERMISSION FROM APC. THIS DRAWING IS BASED UPON LATEST AVAILABLE INFORMATION AND IS SUBJECT TO CHANGE WITHOUT NOTICE.



TITLE: SYMMETRA MW UPS  
400V AC, 3PH, 4000kW  
EXTERNAL STATIC SWITCH  
TOP CABLE ENTRY OPTION  
INTERNAL DETAILS-SECTION VIEW

PROJECT: SUBMITTAL DRAWINGS SHEET 3 OF 6

DWG NO: SYSSWT4000KH-ME2

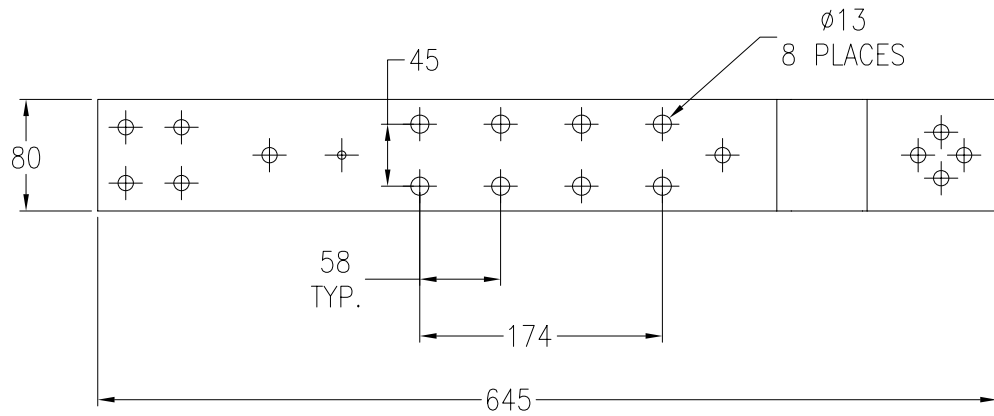
DRAWN: JAYAPRAKASH 22-SEP-08

ENGINEER: L.DUELUND 22-SEP-08

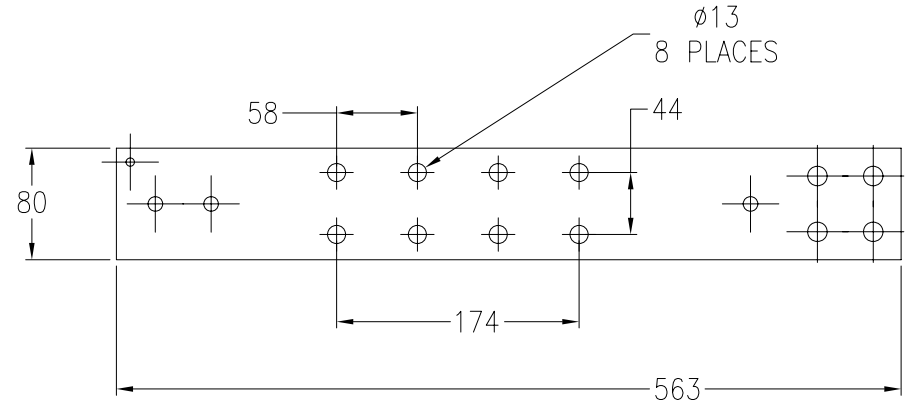
APPROVED: C LARSEN/S WAGH 22-SEP-08

REV. 3

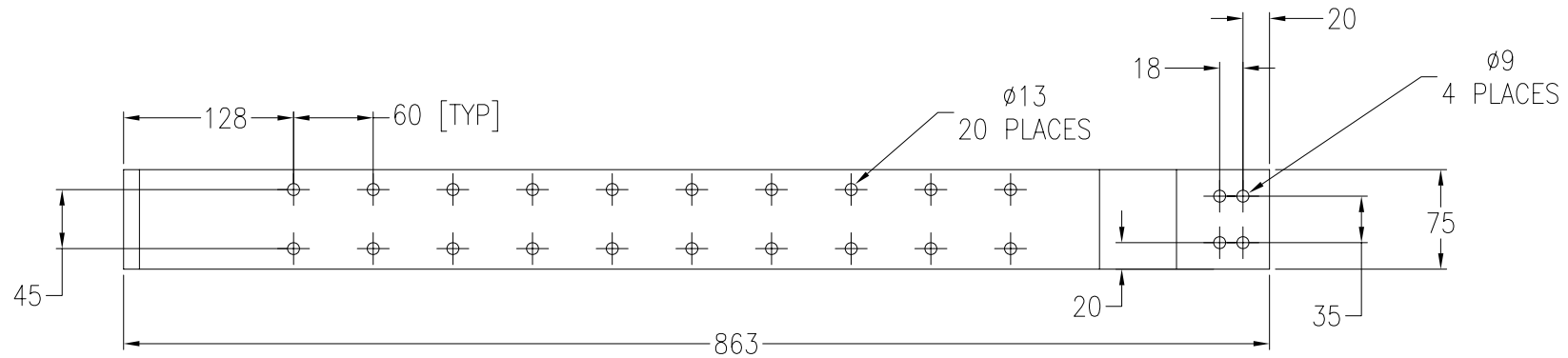
FIRST ANGLE PROJECTION



INPUT BUS DETAILS  
Thickness-20mm



OUTPUT BUS BAR DETAIL  
Thickness-20mm



GROUND BUS BAR DETAIL  
Thickness-12mm

NOTES:

1. INSTALLATION MUST COMPLY WITH ALL APPLICABLE NATIONAL AND LOCAL ELECTRICAL REGULATIONS.
2. ALL DIMENSIONS ARE IN MILLIMETERS, UNLESS OTHERWISE SPECIFIED.

THIS DRAWING AND SPECIFICATIONS HEREIN ARE THE PROPERTY OF AMERICAN POWER CONVERSION AND SHALL NOT BE COPIED, REPRODUCED OR USED IN WHOLE OR IN PART, AS THE BASIS FOR THE MANUFACTURE OR SALE OF ITEMS WITHOUT WRITTEN PERMISSION FROM APC. THIS DRAWING IS BASED UPON LATEST AVAILABLE INFORMATION AND IS SUBJECT TO CHANGE WITHOUT NOTICE.



TITLE: SYMMETRA MW UPS  
400V AC, 3PH, 4000KW  
EXTERNAL STATIC SWITCH  
TOP CABLE ENTRY OPTION  
BUSBAR DETAILS

PROJECT: SUBMITTAL DRAWINGS SHEET 4 OF 6

DWG NO: SYSSWT4000KH-ME3

DRAWN: JAYAPRAKASH 22-SEP-08

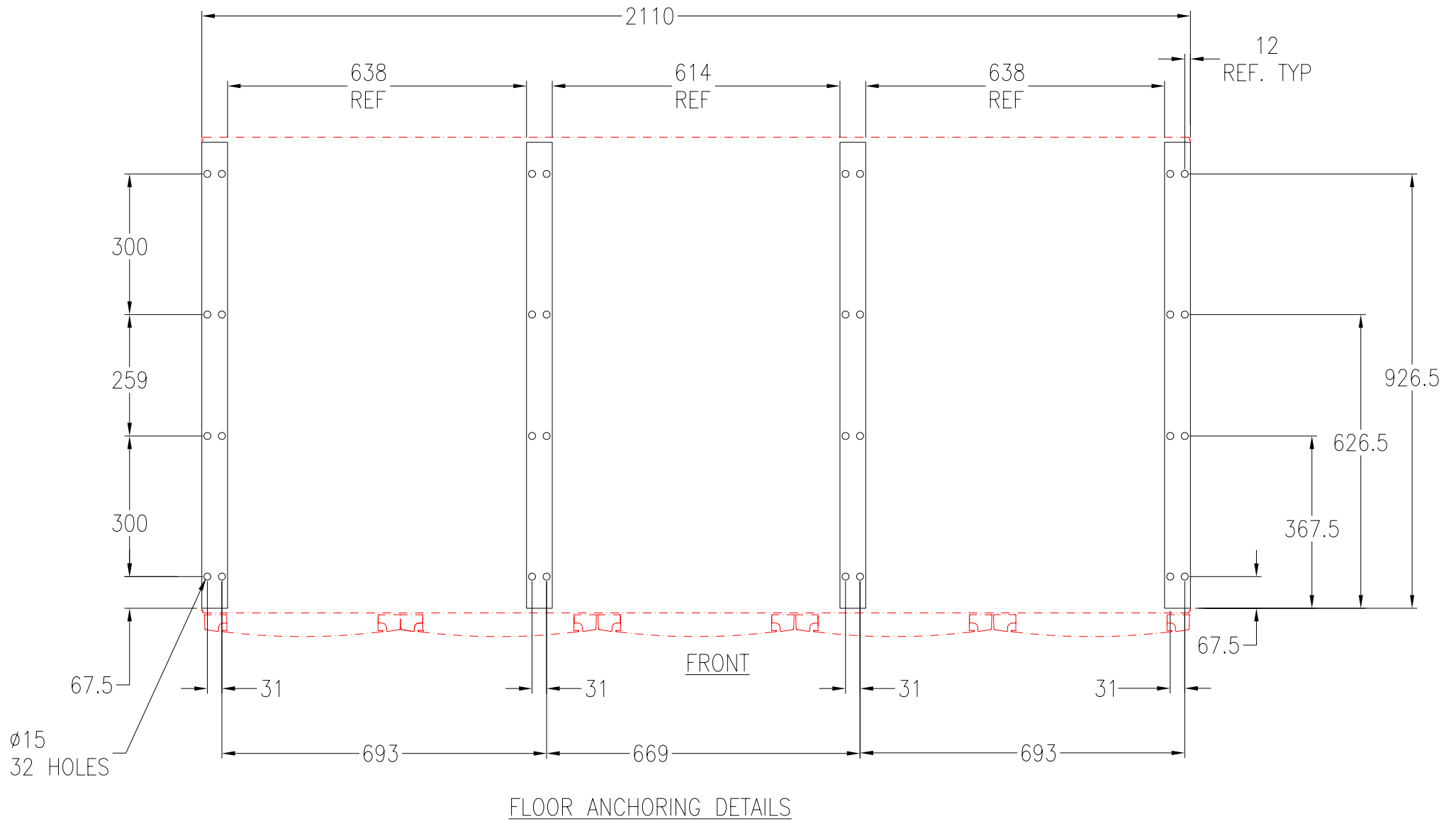
ENGINEER: L.DUELUND 22-SEP-08

APPROVED: C LARSEN/S WAGH 22-SEP-08

REV. 3

FIRST ANGLE PROJECTION

PROJECTION



**NOTES:**

1. INSTALLATION MUST COMPLY WITH ALL APPLICABLE NATIONAL AND LOCAL ELECTRICAL REGULATIONS.
2. PLEASE REFER TO THE PRODUCT MANUALS FOR FLOOR ANCHORING PROCEDURE.
3. ALL DIMENSIONS ARE IN MILLIMETERS, UNLESS OTHERWISE SPECIFIED.
4. SOME STRUCTURAL DETAILS HAVE BEEN OMITTED FOR THE PURPOSE OF CLARITY.

THIS DRAWING AND SPECIFICATIONS HEREIN ARE THE PROPERTY OF AMERICAN POWER CONVERSION AND SHALL NOT BE COPIED, REPRODUCED OR USED IN WHOLE OR IN PART, AS THE BASIS FOR THE MANUFACTURE OR SALE OF ITEMS WITHOUT WRITTEN PERMISSION FROM APC. THIS DRAWING IS BASED UPON LATEST AVAILABLE INFORMATION AND IS SUBJECT TO CHANGE WITHOUT NOTICE.



**TITLE:** SYMMETRA MW UPS  
400V AC, 3PH, 4000kW  
EXTERNAL STATIC SWITCH  
TOP CABLE ENTRY OPTION  
FLOOR ANCHORING

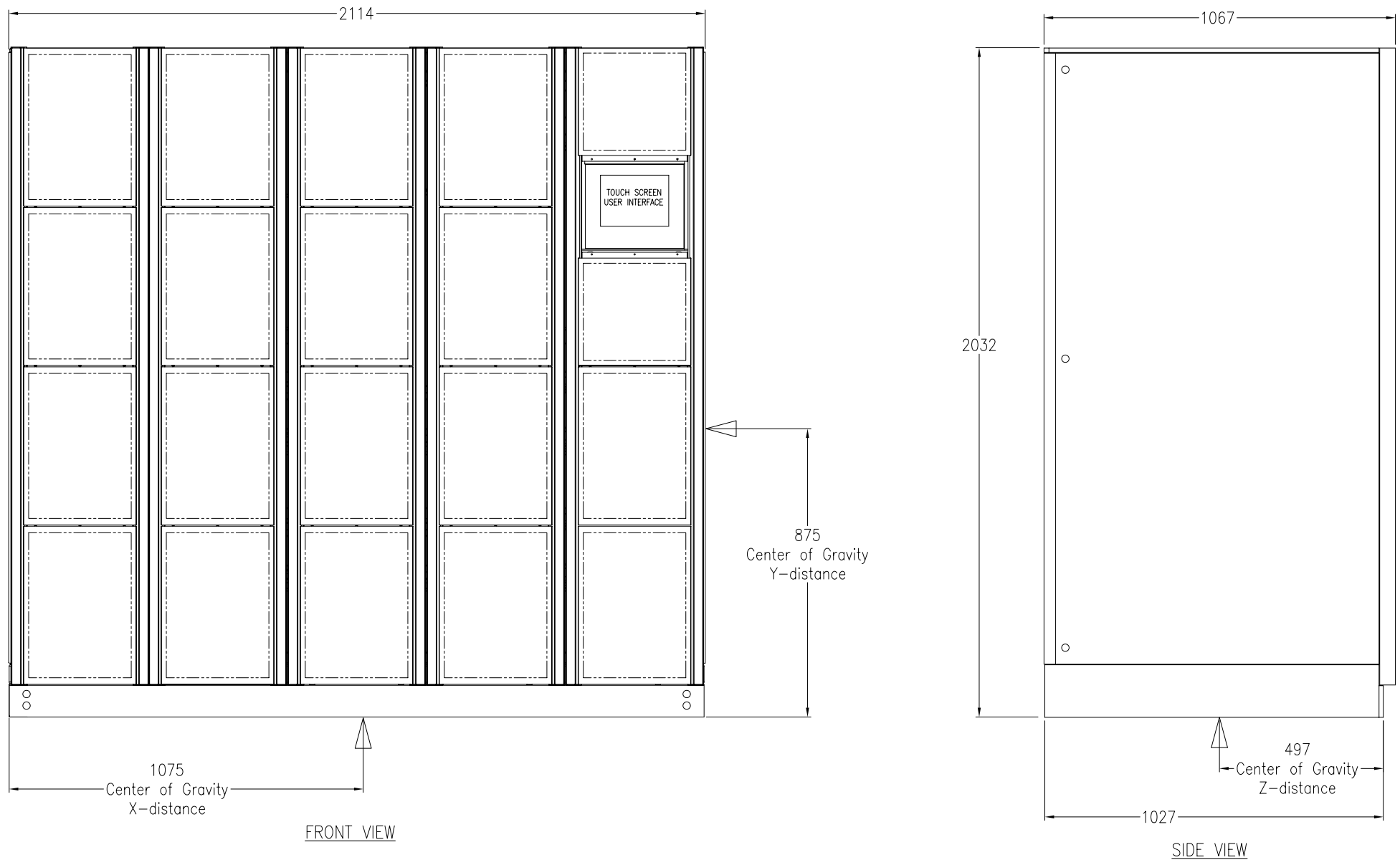
**PROJECT:** SUBMITTAL DRAWINGS **SHEET 5 OF 6**

**DWG NO:** SYSSWT4000KH-FA

<b>DRAWN:</b> JAYAPRAKASH	22-SEP-08
<b>ENGINEER:</b> L.DUELUND	22-SEP-08
<b>APPROVED:</b> C LARSEN/S WAGH	22-SEP-08

**REV.** 4

**FIRST ANGLE PROJECTION**



- NOTES:
1. INSTALLATION MUST COMPLY WITH ALL APPLICABLE NATIONAL AND LOCAL ELECTRICAL REGULATIONS.
  2. PLEASE REFER TO THE PRODUCT MANUALS FOR DETAILED INFORMATION.
  3. ALL DIMENSIONS ARE IN MILLIMETERS, UNLESS OTHERWISE SPECIFIED.

THIS DRAWING AND SPECIFICATIONS HEREIN ARE THE PROPERTY OF AMERICAN POWER CONVERSION AND SHALL NOT BE COPIED, REPRODUCED OR USED IN WHOLE OR IN PART, AS THE BASIS FOR THE MANUFACTURE OR SALE OF ITEMS WITHOUT WRITTEN PERMISSION FROM APC. THIS DRAWING IS BASED UPON LATEST AVAILABLE INFORMATION AND IS SUBJECT TO CHANGE WITHOUT NOTICE.



TITLE: SYMMETRA MW UPS  
400V AC, 3PH, 4000kW  
EXTERNAL STATIC SWITCH  
TOP CABLE ENTRY OPTION  
CENTER OF GRAVITY

PROJECT: SUBMITTAL DRAWINGS SHEET 6 OF 6

DWG NO: SYSSWT4000KH-CG

DRAWN: JAYAPRAKASH 22-SEP-08  
ENGINEER: L.DUELUND 22-SEP-08

APPROVED: C LARSEN/S WAGH 22-SEP-08

REV. 3

FIRST ANGLE PROJECTION