

NOTES:

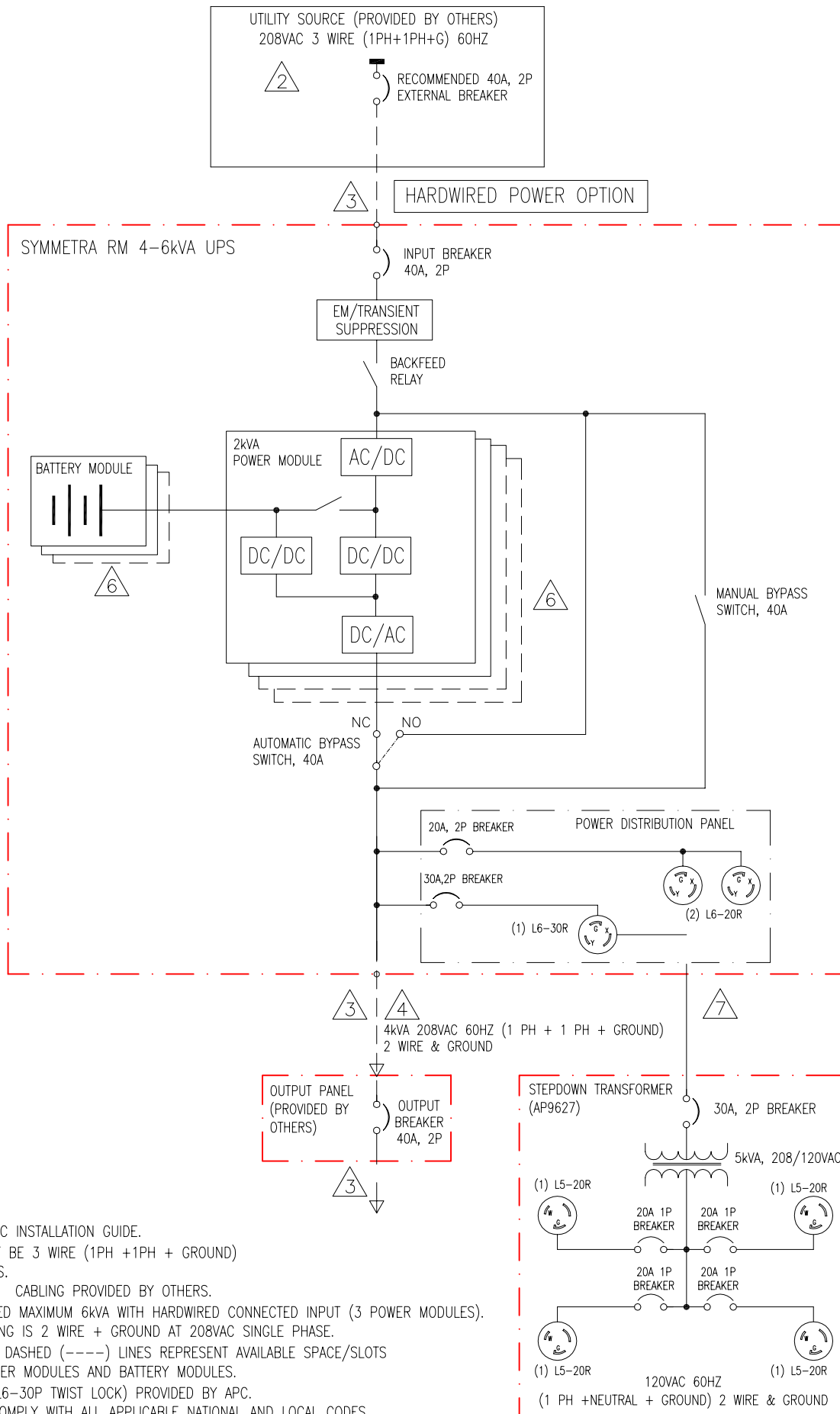
1. PLEASE REFER TO APC INSTALLATION GUIDE.
- △ 2. UTILITY SOURCE MUST BE 3 WIRE (1PH + 1PH + GROUND) PROVIDED BY OTHERS.
- △ 3. ----- = CABLING PROVIDED BY OTHERS.
- △ 4. SYSTEM WILL BE RATED MAXIMUM 5kVA WITH CORD CONNECTED INPUT (3 POWER MODULES).
5. ALL AC POWER CABLING IS 2 WIRE + GROUND AT 208VAC SINGLE PHASE.
- △ 6. BLOCKS SHOWN WITH DASHED (----) LINES REPRESENT AVAILABLE SPACE/SLOTS FOR ADDITIONAL POWER MODULES AND BATTERY MODULES.
- △ 7. POWER CORD (WITH L6-30P TWIST LOCK) PROVIDED BY APC.
8. INSTALLATION MUST COMPLY WITH ALL APPLICABLE NATIONAL AND LOCAL CODES.

THIS DRAWING AND SPECIFICATIONS HEREIN ARE THE PROPERTY OF AMERICAN POWER CONVERSION AND SHALL NOT BE COPIED, REPRODUCED OR USED IN WHOLE OR IN PART, AS THE BASIS FOR THE MANUFACTURE OR SALE OF ITEMS WITHOUT WRITTEN PERMISSION FROM APC. THIS DRAWING IS BASED UPON LATEST AVAILABLE INFORMATION AND IS SUBJECT TO CHANGE WITHOUT NOTICE.

TITLE: SYMMETRA RACKMOUNT 4KVA 208V AC 1PH 60HZ INPUT 208V,120V AC 1PH 60HZ (4)L5-20R OUTPUT POWER CORD CONNECTED OPTION SYSTEM ONE LINE DIAGRAM
 PROJECT: SUBMITAL DRAWING SHEET 1 OF 2

DWG NO: SYH4K6RMT-TF3 - SD REV. 2
 DRAWN BY: B ZAHN 01/16/06
 CHECKED BY: M TAVARES 01/16/06
 ENGINEER: K WHITE/E SILVA 01/16/06





NOTES:

1. PLEASE REFER TO APC INSTALLATION GUIDE.
- △ 2. UTILITY SOURCE MUST BE 3 WIRE (1PH + 1PH + GROUND) PROVIDED BY OTHERS.
- △ 3. ----- = CABLING PROVIDED BY OTHERS.
- △ 4. SYSTEM WILL BE RATED MAXIMUM 6kVA WITH HARDWIRED CONNECTED INPUT (3 POWER MODULES).
5. ALL AC POWER CABLING IS 2 WIRE + GROUND AT 208VAC SINGLE PHASE.
- △ 6. BLOCKS SHOWN WITH DASHED (----) LINES REPRESENT AVAILABLE SPACE/SLOTS FOR ADDITIONAL POWER MODULES AND BATTERY MODULES.
- △ 7. POWER CORD (WITH L6-30P TWIST LOCK) PROVIDED BY APC.
8. INSTALLATION MUST COMPLY WITH ALL APPLICABLE NATIONAL AND LOCAL CODES.

THIS DRAWING AND SPECIFICATIONS HEREIN ARE THE PROPERTY OF AMERICAN POWER CONVERSION AND SHALL NOT BE COPIED, REPRODUCED OR USED IN WHOLE OR IN PART, AS THE BASIS FOR THE MANUFACTURE OR SALE OF ITEMS WITHOUT WRITTEN PERMISSION FROM APC. THIS DRAWING IS BASED UPON LATEST AVAILABLE INFORMATION AND IS SUBJECT TO CHANGE WITHOUT NOTICE.

TITLE: SYMMETRA RACKMOUNT 4kVA 208V AC 1PH 60HZ INPUT 208V,120V AC 1PH 60HZ (4)L5-20R OUTPUT HARDWIRED CONNECTED OPTION SYSTEM ONE LINE DIAGRAM
 PROJECT: SUBMITAL DRAWING SHEET 2 OF 2

DWG NO: SYH4K6RMT-TF3 - SD REV. -
 DRAWN BY: B ZAHN 01/16/06
 CHECKED BY: M TAVARES 01/16/06
 ENGINEER: K WHITE/E SILVA 01/16/06

