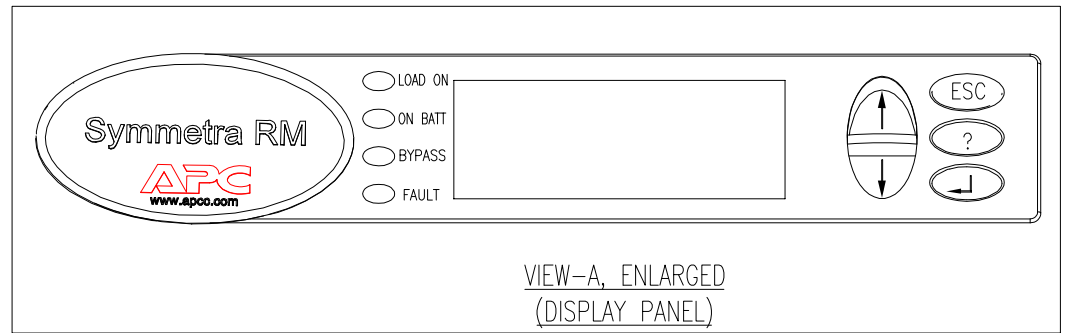
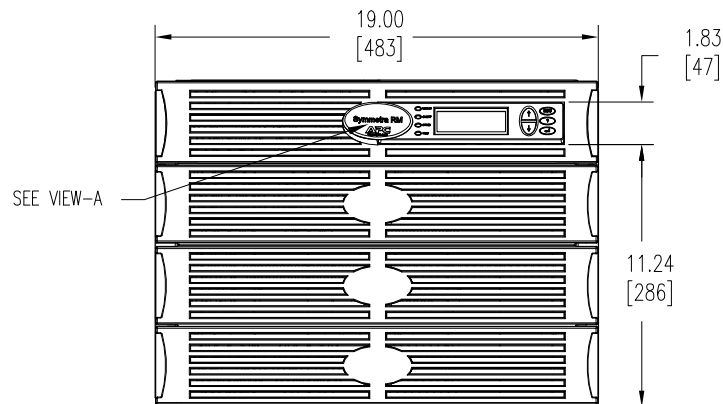


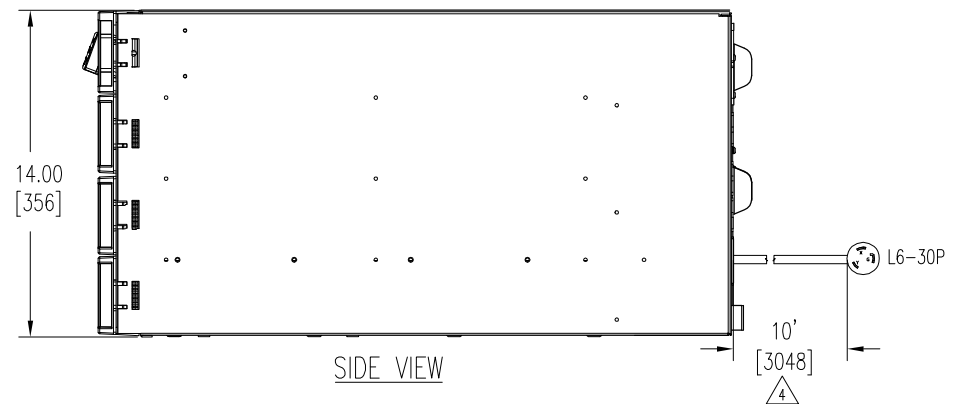
TOP VIEW



VIEW-A, ENLARGED  
(DISPLAY PANEL)



FRONT VIEW



SIDE VIEW

NOTES:

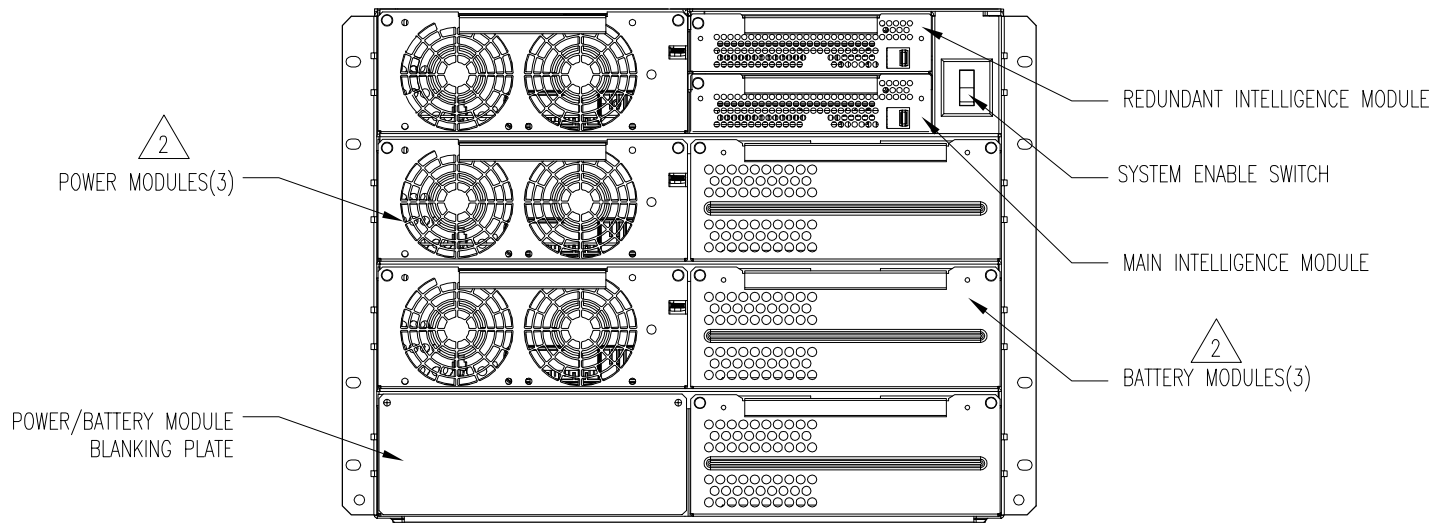
1. ALL DIMENSIONS ARE IN INCHES [MILLIMETERS].
2. TOTAL WEIGHT OF UNIT IS 294 LBS [134 kg]
3. CABLE ENTRY IS FROM REAR SIDE OF THE UNIT.
- △ 4. CORD LENGTH 10 FEET (L6-30P TWIST LOCK)
5. INSTALLATION MUST COMPLY WITH ALL APPLICABLE NATIONAL AND LOCAL CODES.

THIS DRAWING AND SPECIFICATIONS HEREIN ARE THE PROPERTY OF AMERICAN POWER CONVERSION AND SHALL NOT BE COPIED, REPRODUCED OR USED IN WHOLE OR IN PART, AS THE BASIS FOR THE MANUFACTURE OR SALE OF ITEMS WITHOUT WRITTEN PERMISSION FROM APC. THIS DRAWING IS BASED UPON LATEST AVAILABLE INFORMATION AND IS SUBJECT TO CHANGE WITHOUT NOTICE.

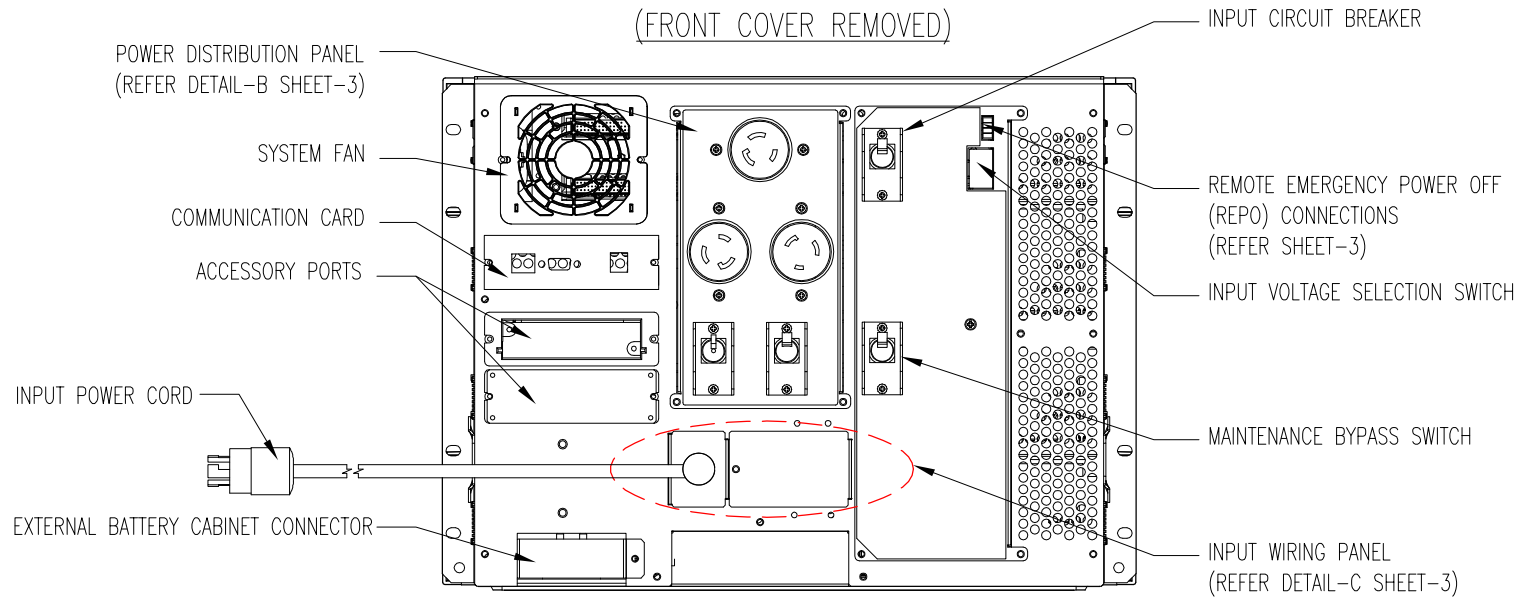
TITLE: SYMMETRA RACKMOUNT  
6kVA, 208V AC, 60Hz  
MAIN MECHANICAL  
PROJECT: SUBMITTAL DRAWING SHEET 1 OF 3

DWG NO: SYH6K6RMT-MM1  
REV. —  
DRAWN BY: BALAMURUGAN 04/08/05  
CHECKED BY: M. TAVARES/ F. DIOSA 08/18/05  
ENGINEER: M. FALCINELLI/ E. SILVA 08/18/05





FRONT VIEW  
(FRONT COVER REMOVED)



REAR VIEW

NOTES:

1. ALL DIMENSIONS ARE IN INCHES [MILLIMETERS].
- △ 2. THIS UNIT SHOWS SYRMT FOR N CONFIGURATION.  
SKU NUMBER SYH6K6RMT WILL PROVIDE 3 POWER MODULE(SYPM2KU) AND 3 BATTERY MODULE (SYBT2) FOR 6kVA N CONFIGURATION ONLY.  
ADDITIONAL POWER MODULE AND BATTERY MODULE WOULD HAVE TO BE PURCHASED AS AN OPTION TO GET SCALEABLE CONFIGURATIONS AS PER THE TABLE BELOW:-

Rating	No. of Power Module	No. of Battery Module
6kVA N+1	ONE	-

3. APPROX. 12 MINUTES OF RUNTIME AT FULL LOAD.
4. INSTALLATION MUST COMPLY WITH ALL APPLICABLE NATIONAL AND LOCAL CODES.

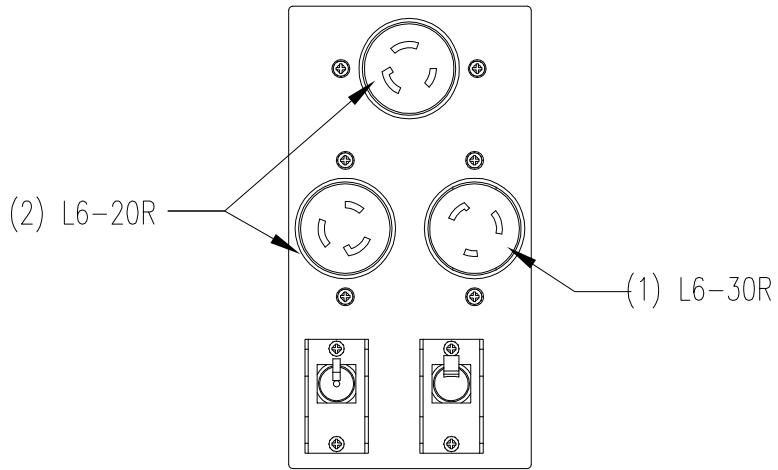
THIS DRAWING AND SPECIFICATIONS HEREIN ARE THE PROPERTY OF AMERICAN POWER CONVERSION AND SHALL NOT BE COPIED, REPRODUCED OR USED IN WHOLE OR IN PART, AS THE BASIS FOR THE MANUFACTURE OR SALE OF ITEMS WITHOUT WRITTEN PERMISSION FROM APC. THIS DRAWING IS BASED UPON LATEST AVAILABLE INFORMATION AND IS SUBJECT TO CHANGE WITHOUT NOTICE.

TITLE: SYMMETRA RACKMOUNT  
6kVA, 208V AC, 60Hz  
INTERNAL FRONT & REAR

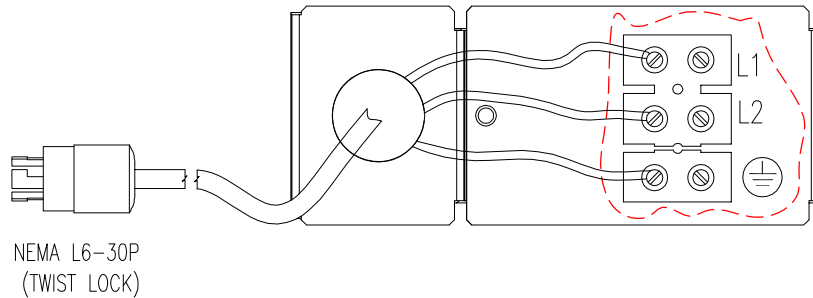
PROJECT: SUBMITTAL DRAWING SHEET 2 OF 3

DWG NO: SYH6K6RMT-ME1	REV. _
DRAWN BY: BALAMURUGAN	04/08/05
CHECKED BY: M. TAVARES/ F. DIOSA	08/18/05
ENGINEER: M. FALCINELLI/ E. SILVA	08/18/05



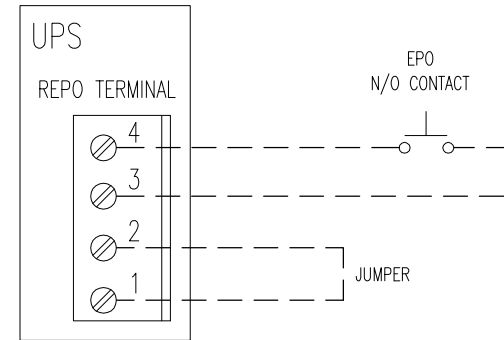


DETAIL - B  
(POWER DISTRIBUTION OPTION-SYPD3) 1

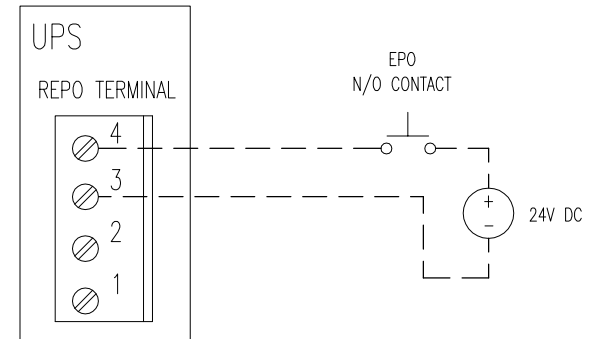


DETAIL - C  
(INPUT WIRING TERMINALS)

Remote Emergency Power Off (REPO)



IF INSTALLATION USES  
INTERNAL POWER



IF INSTALLATION USES  
EXTERNAL POWER

NOTE

- △ 1. OTHER PDU CONFIGURATIONS ARE AVAILABLE FOR DIFFERENT RECEPTACLE OPTIONS.
- 2. ----- = CABLING PROVIDED BY OTHERS.
- 3. INSTALLATION MUST COMPLY WITH ALL APPLICABLE NATIONAL AND LOCAL CODES.

THIS DRAWING AND SPECIFICATIONS HEREIN ARE THE PROPERTY OF AMERICAN POWER CONVERSION AND SHALL NOT BE COPIED, REPRODUCED OR USED IN WHOLE OR IN PART, AS THE BASIS FOR THE MANUFACTURE OR SALE OF ITEMS WITHOUT WRITTEN PERMISSION FROM APC. THIS DRAWING IS BASED UPON LATEST AVAILABLE INFORMATION AND IS SUBJECT TO CHANGE WITHOUT NOTICE.

TITLE: SYMMETRA RACKMOUNT  
6kVA, 208V AC, 60Hz  
POWER DISTRIBUTION &  
EPO CONNECTIONS

PROJECT: SUBMITTAL DRAWING SHEET 3 OF 3

DWG NO: SYH6K6RMT-ME2

DRAWN BY: BALAMURUGAN

CHECKED BY: M TAVARES/ F.DIOSA

ENGINEER: M FALCINELLI/ E.SILVA

REV. -

04/08/05

08/18/05

08/18/05

