

TOP VIEW

NOTES:

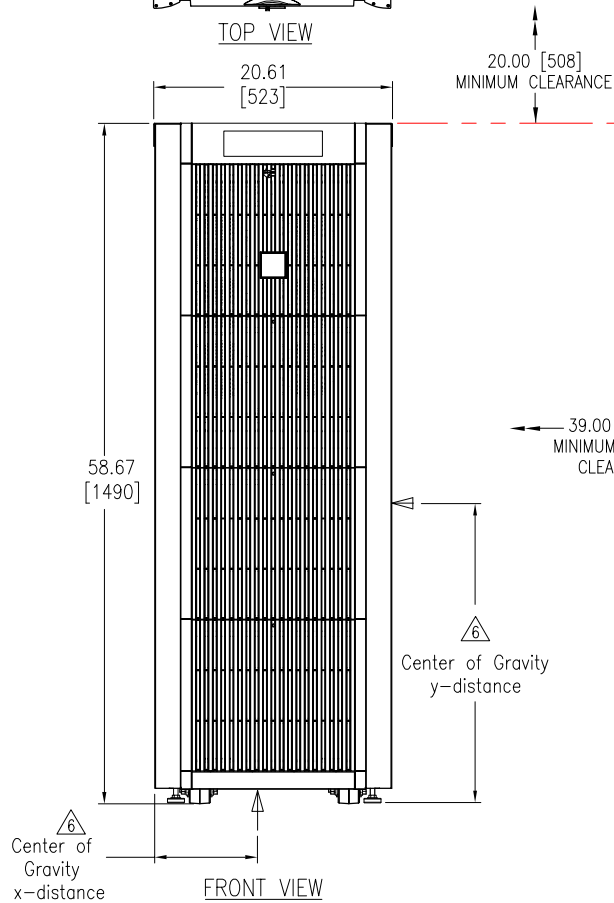
1. PLEASE REFER TO INSTALLATION MANUAL FOR DETAILS.
2. ALL DIMENSIONS ARE IN INCHES [MILLIMETERS].
3. CABLE ENTRY IS REAR OF UNIT (VIA CONDUIT BOX).
4. FRONT AND REAR SERVICE CLEARANCE, TOP COOLING CLEARANCE REQUIRED.
5. REFER TO THE TABLE FOR WEIGHT OF THE UNIT.
- △ 6. CENTER OF GRAVITY OF THE UNIT

No. of Battery Modules	x-distance inches(mm)	y-distance inches(mm)	z-distance inches(mm)
Two	10.28 (261)	19.69 (500)	15.87 (403)
Three	10.28 (261)	19.53 (496)	15.79 (401)
Four	10.28 (261)	20.47 (520)	15.71 (399)
Five	10.28 (261)	22.05 (560)	15.67 (398)
Six	10.28 (261)	24.02 (610)	15.63 (397)

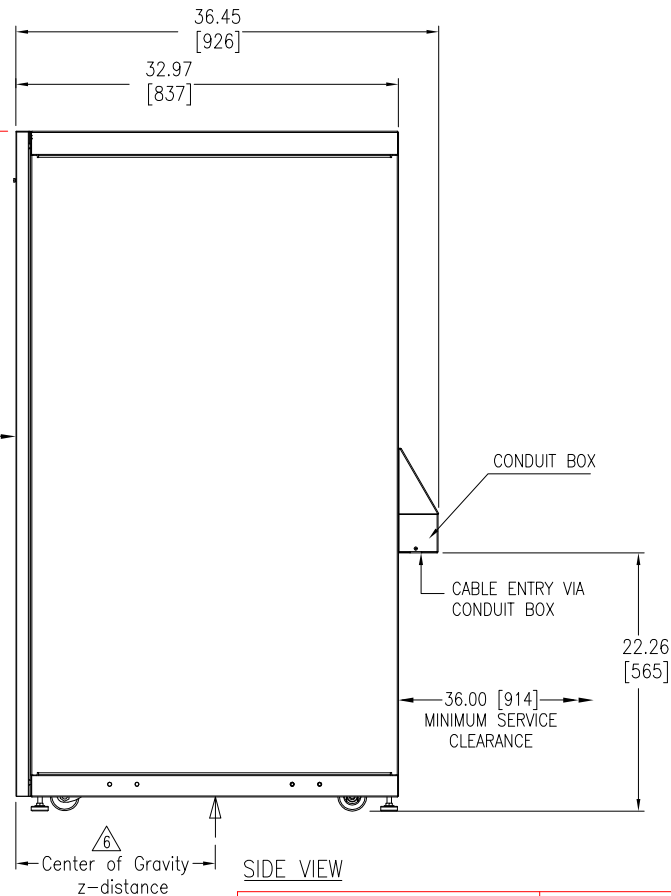
WEIGHT DETAILS

SKU	Number of Battery modules	Weight
		LBS (kg)
SUVTXR2B6S	2	878 (399)
SUVTXR2B6S+(1)SYBT4	3	1080 (491)
SUVTXR2B6S+(2)SYBT4	4	1283 (583)
SUVTXR2B6S+(3)SYBT4	5	1485 (675)
SUVTXR2B6S+(4)SYBT4	6	1687 (767)

7. INSTALLATION MUST COMPLY WITH ALL APPLICABLE NATIONAL AND LOCAL CODES.



FRONT VIEW



SIDE VIEW

THIS DRAWING AND SPECIFICATIONS HEREIN ARE THE PROPERTY OF AMERICAN POWER CONVERSION AND SHALL NOT BE COPIED, REPRODUCED OR USED IN WHOLE OR IN PART, AS THE BASIS FOR THE MANUFACTURE OR SALE OF ITEMS WITHOUT WRITTEN PERMISSION FROM APC. THIS DRAWING IS BASED UPON LATEST AVAILABLE INFORMATION AND IS SUBJECT TO CHANGE WITHOUT NOTICE.

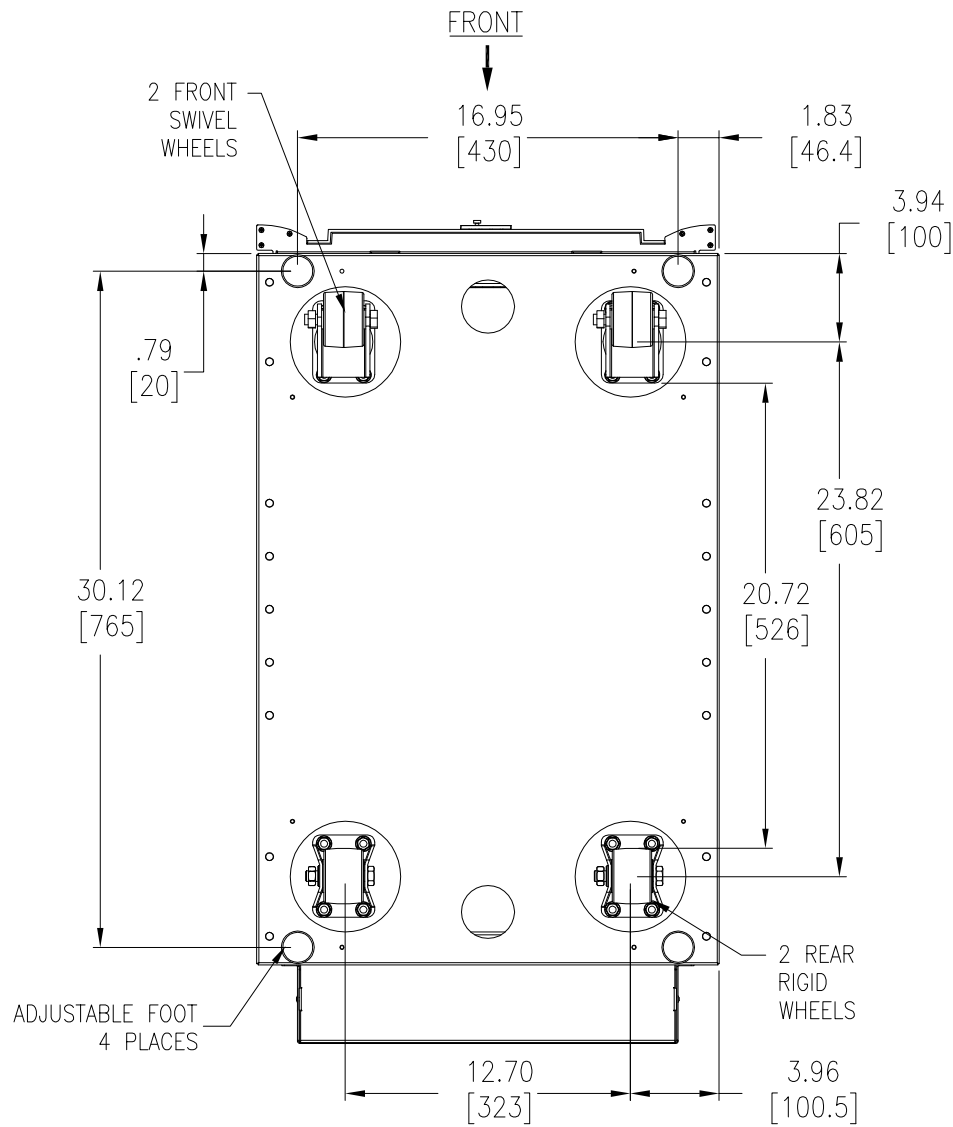
TITLE: SMART-UPS VI XR-CABINET WITHOUT DC BREAKER
W/2 BATT. MODULE EXP. TO 6 MAIN MECHANICAL

DWG NO: SUVTXR2B6S-MM1
DRAWN BY: B ZAHN
CHECKED BY: J.RING / F.DIOSA
ENGINEER: R.HANSEN / E.SILVA

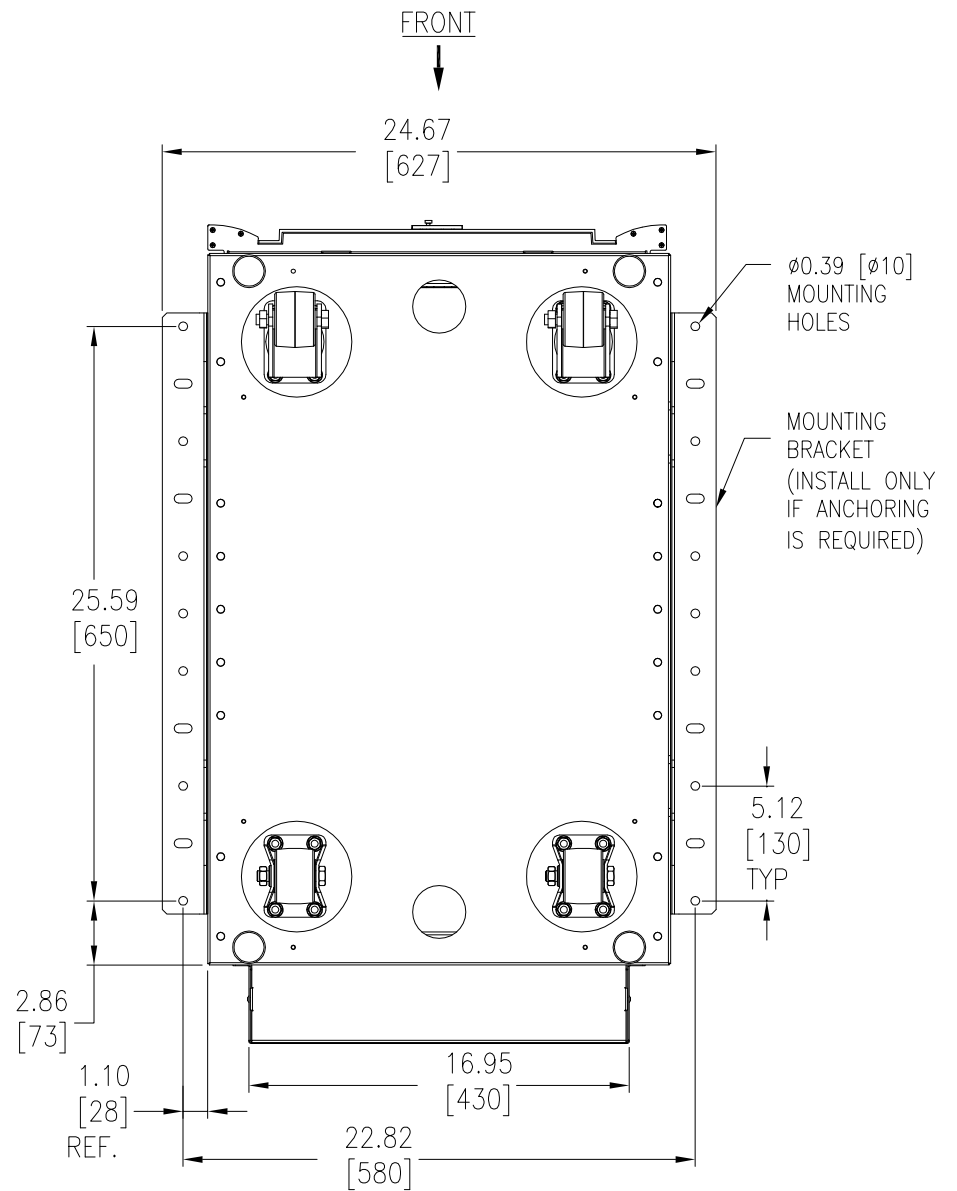
REV. 1
03/14/05
03/14/05
03/14/05



PROJECT: SUBMITTAL DRAWINGS SHEET 1 OF 3




BOTTOM VIEW

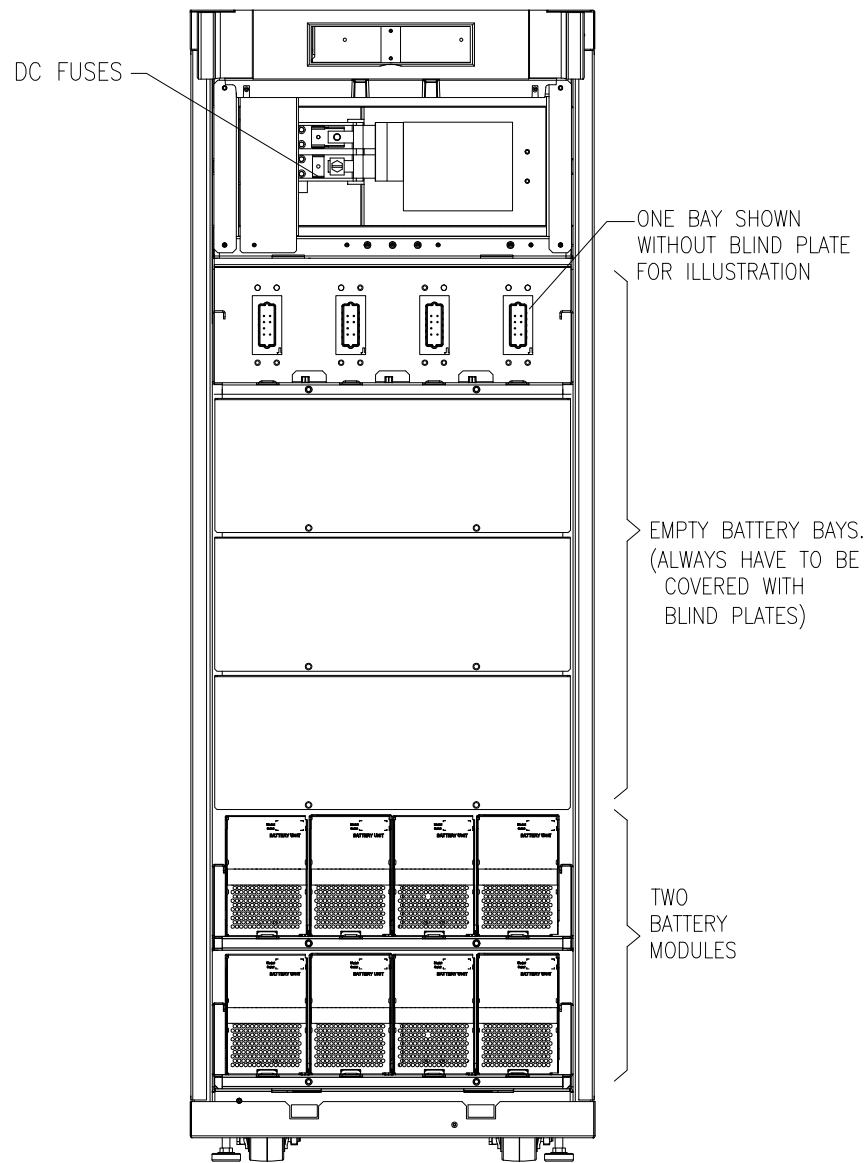


BOTTOM VIEW
WITH ANCHORING DETAIL (OPTIONAL)

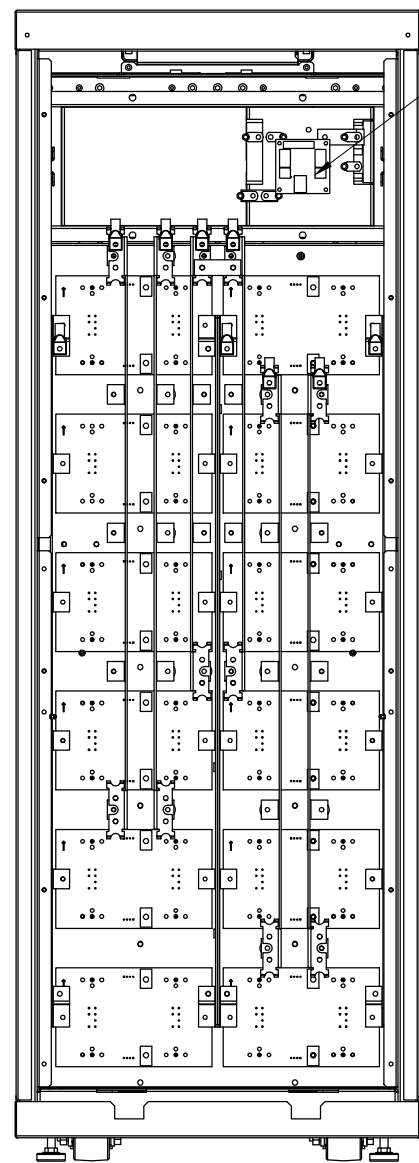
NOTES:

- PLEASE REFER TO APC PRODUCT MANUAL.
- ALL DIMENSIONS ARE IN INCHES [MILLIMETERS].
- INSTALLATION MUST COMPLY WITH ALL APPLICABLE NATIONAL AND LOCAL CODES.

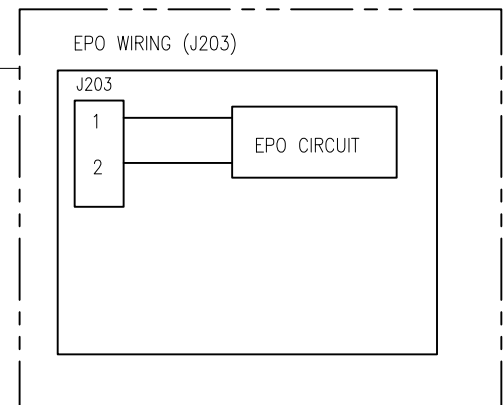
THIS DRAWING AND SPECIFICATIONS HEREIN ARE THE PROPERTY OF AMERICAN POWER CONVERSION AND SHALL NOT BE COPIED, REPRODUCED OR USED IN WHOLE OR IN PART, AS THE BASIS FOR THE MANUFACTURE OR SALE OF ITEMS WITHOUT WRITTEN PERMISSION FROM APC. THIS DRAWING IS BASED UPON LATEST AVAILABLE INFORMATION AND IS SUBJECT TO CHANGE WITHOUT NOTICE.	TITLE: SMART-UPS VI XR-CABINET WITHOUT DC BREAKER W/2 BATT. MODULE EXP. TO 6 BOTTOM VIEW	DWG NO: SUVTXR2B6S-MM2	REV. 1	 AMERICAN POWER CONVERSION 132 FARGROUNDS RD WEST KINGSTON, RI 02892
	PROJECT: SUBMITTAL DRAWINGS SHEET 2 OF 3	DRAWN BY: B ZAHN	CHECKED BY: J.RING / F.DIOSA	



FRONT VIEW
PANEL REMOVED



REAR VIEW
PANEL REMOVED



EPO is activated when an isolated SELV 24 VDC voltage is supplied on pin 1 with reference to pin 2

NOTES:

1. PLEASE REFER TO APC PRODUCT MANUAL.
2. ALL DIMENSIONS ARE IN INCHES [MILLIMETERS].
3. FOR COMMUNICATION CABLES USE ONLY 28-16AWG COPPER WIRE RATED MINIMUM 250V.
4. INSTALLATION MUST COMPLY WITH ALL APPLICABLE NATIONAL AND LOCAL CODES.

THIS DRAWING AND SPECIFICATIONS HEREIN ARE THE PROPERTY OF AMERICAN POWER CONVERSION AND SHALL NOT BE COPIED, REPRODUCED OR USED IN WHOLE OR IN PART, AS THE BASIS FOR THE MANUFACTURE OR SALE OF ITEMS WITHOUT WRITTEN PERMISSION FROM APC. THIS DRAWING IS BASED UPON LATEST AVAILABLE INFORMATION AND IS SUBJECT TO CHANGE WITHOUT NOTICE.

TITLE: SMART-UPS VI XR-CABINET
WITHOUT DC BREAKER
W/2 BATT. MODULE EXP. TO 6
INTERNAL FRONT & REAR VIEW
PROJECT: SUBMITTAL DRAWINGS SHEET 3 OF 3

DWG NO:	SUVTXR2B6S-ME1	REV.	1
DRAWN BY:	B ZAHN		03/14/05
CHECKED BY:	J.RING / F.DIOSA		03/14/05
ENGINEER:	R.HANSEN / E.SILVA		03/14/05

