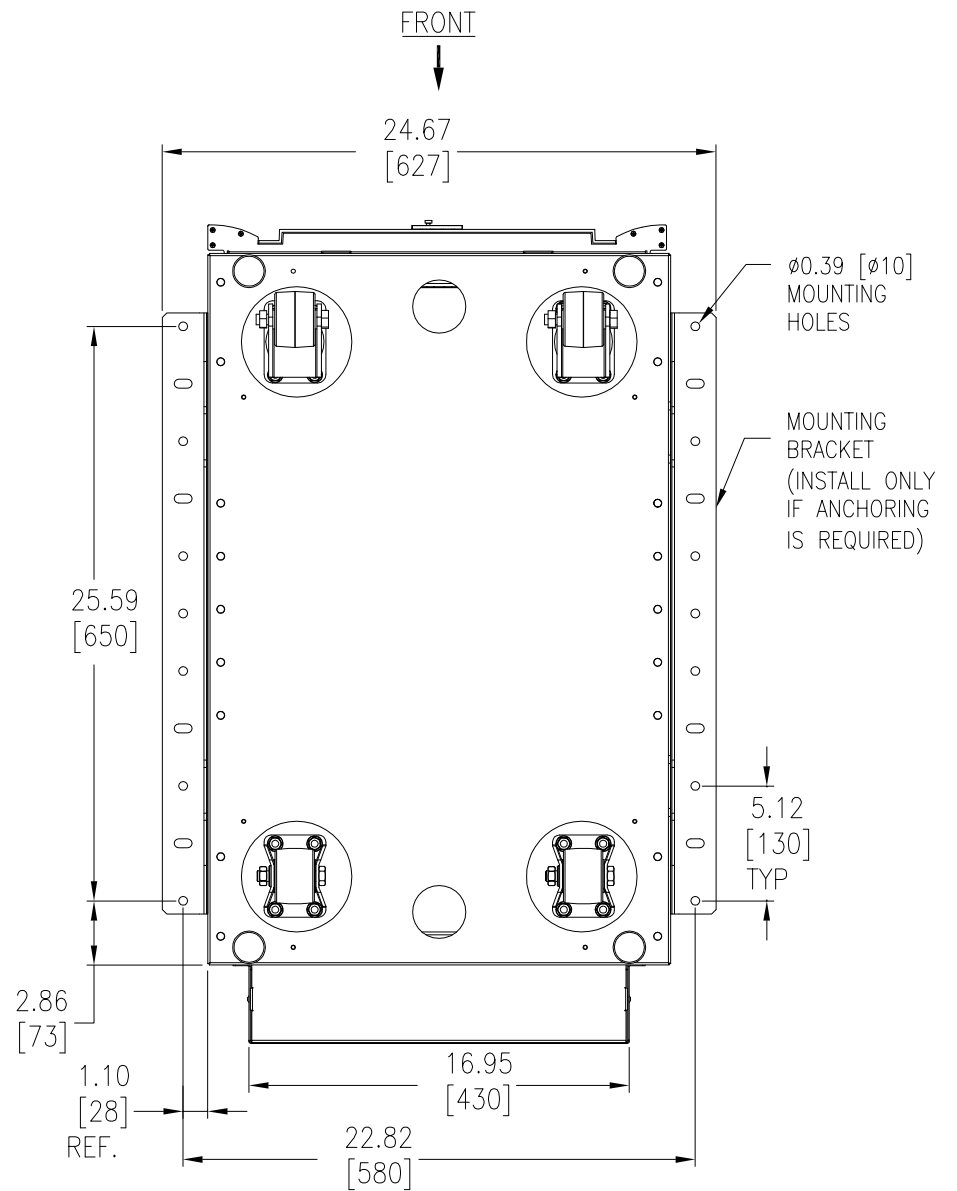



BOTTOM VIEW

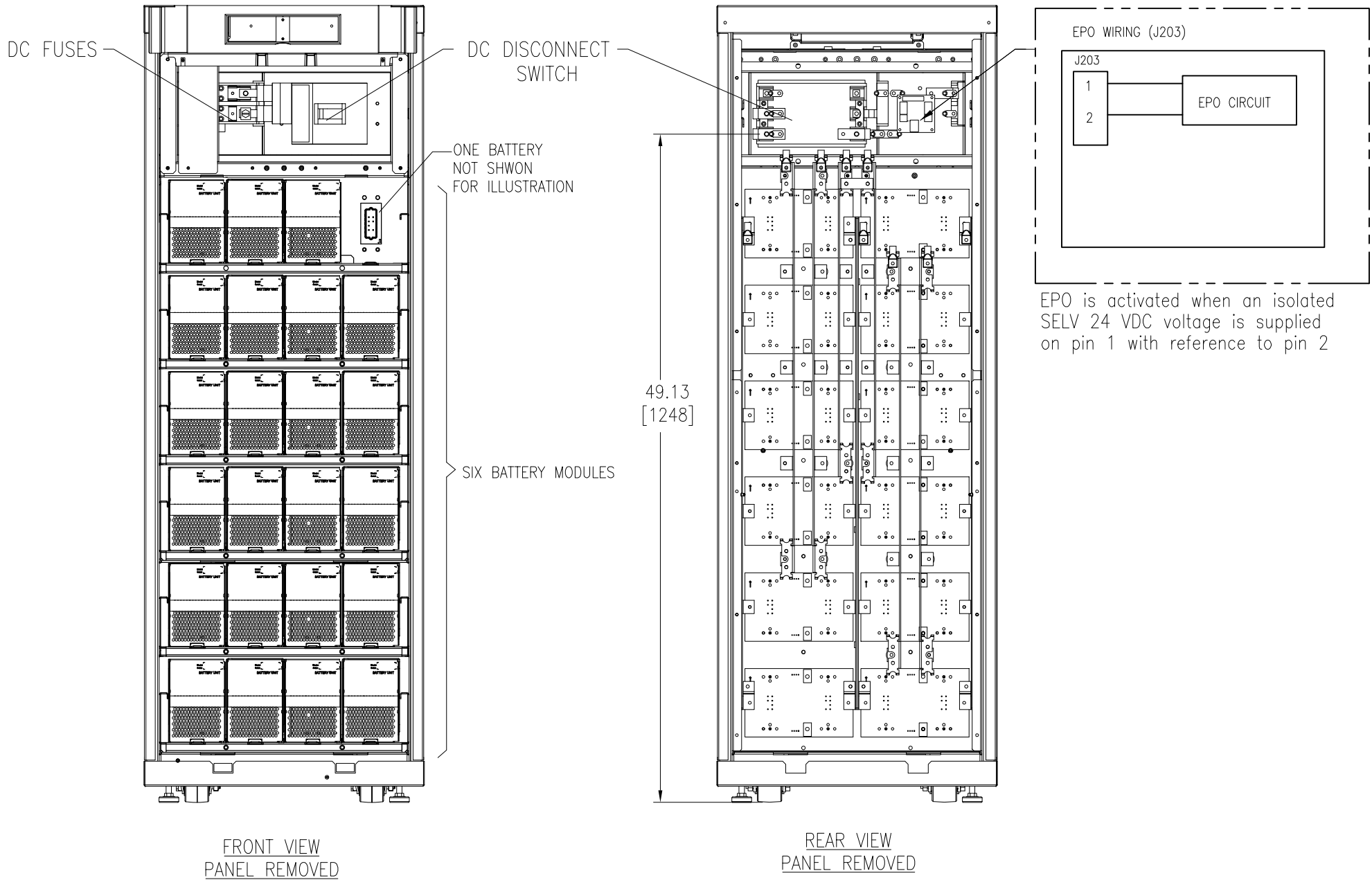


BOTTOM VIEW WITH ANCHORING DETAIL (OPTIONAL)

NOTES:

- PLEASE REFER TO APC PRODUCT MANUAL.
- ALL DIMENSIONS ARE IN INCHES [MILLIMETERS].
- INSTALLATION MUST COMPLY WITH ALL APPLICABLE NATIONAL AND LOCAL CODES.

THIS DRAWING AND SPECIFICATIONS HEREIN ARE THE PROPERTY OF AMERICAN POWER CONVERSION AND SHALL NOT BE COPIED, REPRODUCED OR USED IN WHOLE OR IN PART, AS THE BASIS FOR THE MANUFACTURE OR SALE OF ITEMS WITHOUT WRITTEN PERMISSION FROM APC. THIS DRAWING IS BASED UPON LATEST AVAILABLE INFORMATION AND IS SUBJECT TO CHANGE WITHOUT NOTICE.	TITLE: SMART-UPS VI XR-CABINET WITH DC BREAKER W/6 BATT. MODULES BOTTOM VIEW	DWG NO: SUVTBXR6B6S-MM2	REV. 1	 AMERICAN POWER CONVERSION 132 FARGROUNDS RD WEST KINGSTON, RI 02892
	PROJECT: SUBMITTAL DRAWINGS SHEET 2 OF 3	DRAWN BY: B ZAHN	CHECKED BY: J.RING / F.DIOSA	
		ENGINEER: R.HANSEN / E.SILVA	03/14/05	



NOTES:

1. PLEASE REFER TO APC PRODUCT MANUAL.
2. ALL DIMENSIONS ARE IN INCHES [MILLIMETERS].
3. FOR COMMUNICATION CABLES USE ONLY 28-16AWG COPPER WIRE RATED MINIMUM 250V.
4. INSTALLATION MUST COMPLY WITH ALL APPLICABLE NATIONAL AND LOCAL CODES.

THIS DRAWING AND SPECIFICATIONS HEREIN ARE THE PROPERTY OF AMERICAN POWER CONVERSION AND SHALL NOT BE COPIED, REPRODUCED OR USED IN WHOLE OR IN PART, AS THE BASIS FOR THE MANUFACTURE OR SALE OF ITEMS WITHOUT WRITTEN PERMISSION FROM APC. THIS DRAWING IS BASED UPON LATEST AVAILABLE INFORMATION AND IS SUBJECT TO CHANGE WITHOUT NOTICE.

TITLE: SMART-UPS VT XR-CABINET  
WITH DC BREAKER  
W/6 BATT. MODULES  
INTERNAL FRONT & REAR VIEW

DWG NO:	SUVTBXR6B6S-ME1	REV.	1
DRAWN BY:	B ZAHN		03/14/05
CHECKED BY:	J.RING / F.DIOSA		03/14/05
ENGINEER:	R.HANSEN / E.SILVA		03/14/05

**APC**<sup>®</sup>  
AMERICAN POWER CONVERSION  
132 FARGROUNDS RD  
WEST KINGSTON, RI 02892

PROJECT: SUBMITTAL DRAWINGS SHEET 3 OF 3