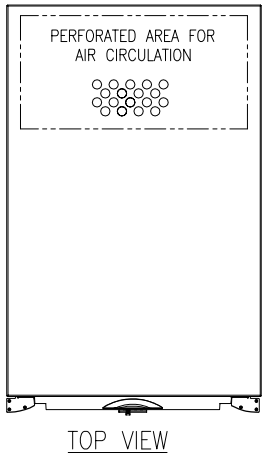


NOTES:

1. PLEASE REFER TO INSTALLATION MANUAL FOR DETAILS
2. ALL DIMENSIONS ARE IN MILLIMETERS.
3. CABLE ENTRY IS REAR OF UNIT.
SEE UNIT WITH OPTIONAL CONDUIT BOX ON PAGE 3.
4. FRONT AND REAR SERVICE CLEARANCE AND TOP COOLING CLEARANCE REQUIRED.
5. WEIGHT OF UNIT IS 767 kg.
- △ 6. CENTER OF GRAVITY OF THE UNIT

x-distance mm	y-distance mm	z-distance mm
261	610	397

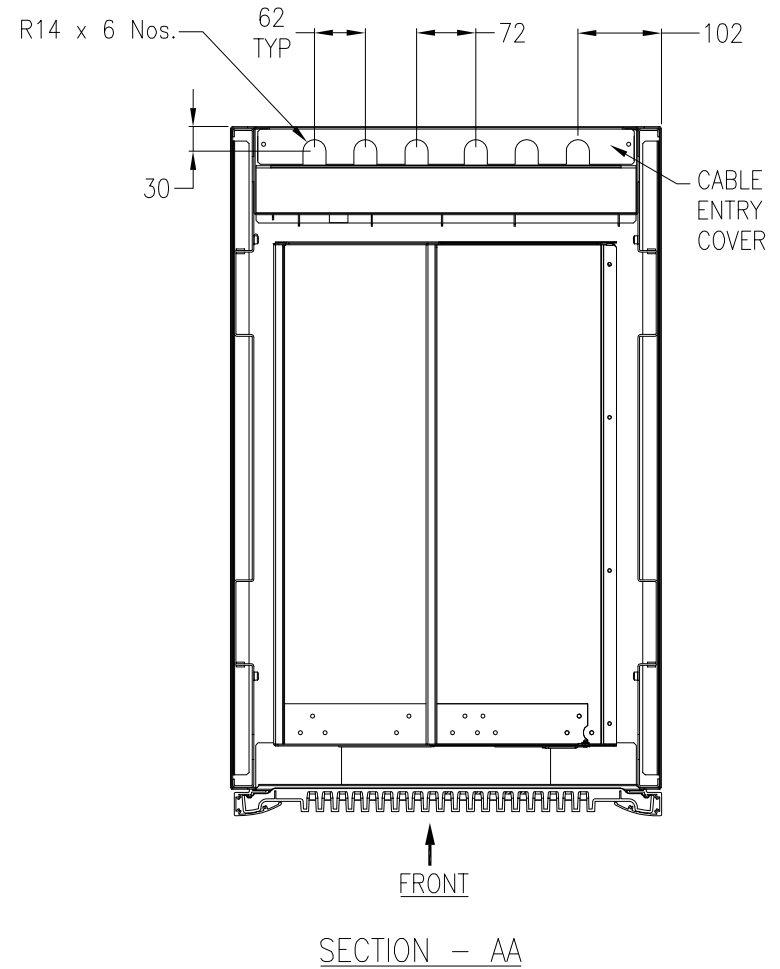
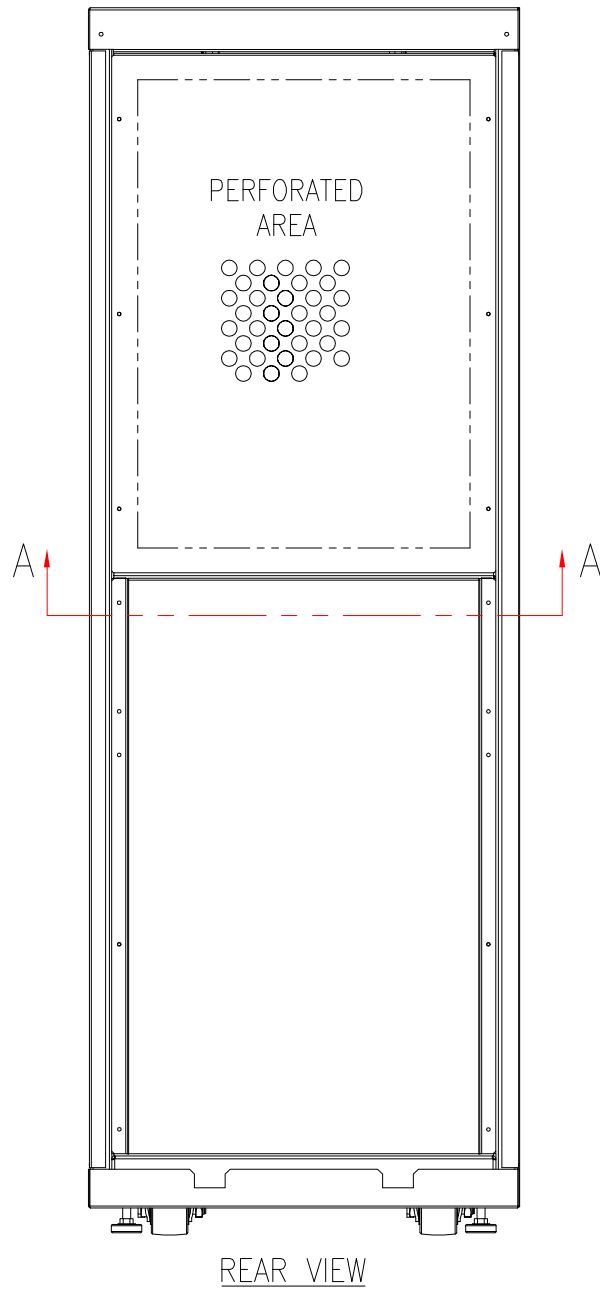
7. INSTALLATION MUST COMPLY WITH ALL APPLICABLE NATIONAL AND LOCAL CODES.



THIS DRAWING AND SPECIFICATIONS HEREIN ARE THE PROPERTY OF AMERICAN POWER CONVERSION AND SHALL NOT BE COPIED, REPRODUCED OR USED IN WHOLE OR IN PART, AS THE BASIS FOR THE MANUFACTURE OR SALE OF ITEMS WITHOUT WRITTEN PERMISSION FROM APC. THIS DRAWING IS BASED UPON LATEST AVAILABLE INFORMATION AND IS SUBJECT TO CHANGE WITHOUT NOTICE.

TITLE: SMART-UPS VT XR-CABINET WITHOUT DC BREAKER W/6 BATT. MODULES MAIN MECHANICAL		DWG NO: SUVTXR6B6S-MM1		REV. -
DRAWN BY: JAYAPRAKASH		22/02/05		PROJECTION
CHECKED BY: M SALOKHE		11/05/05		
PROJECT: SUBMITTAL DRAWING	SHEET 1 OF 5	ENGINEER: S WAGH	11/05/05	





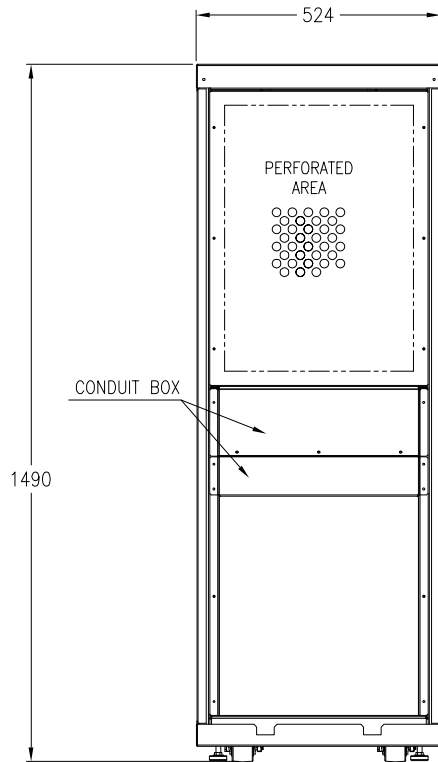
NOTES:

1. PLEASE REFER TO APC PRODUCT MANUAL.
2. ALL DIMENSIONS ARE IN MILLIMETERS.
3. INSTALLATION MUST COMPLY WITH ALL APPLICABLE NATIONAL AND LOCAL CODES.

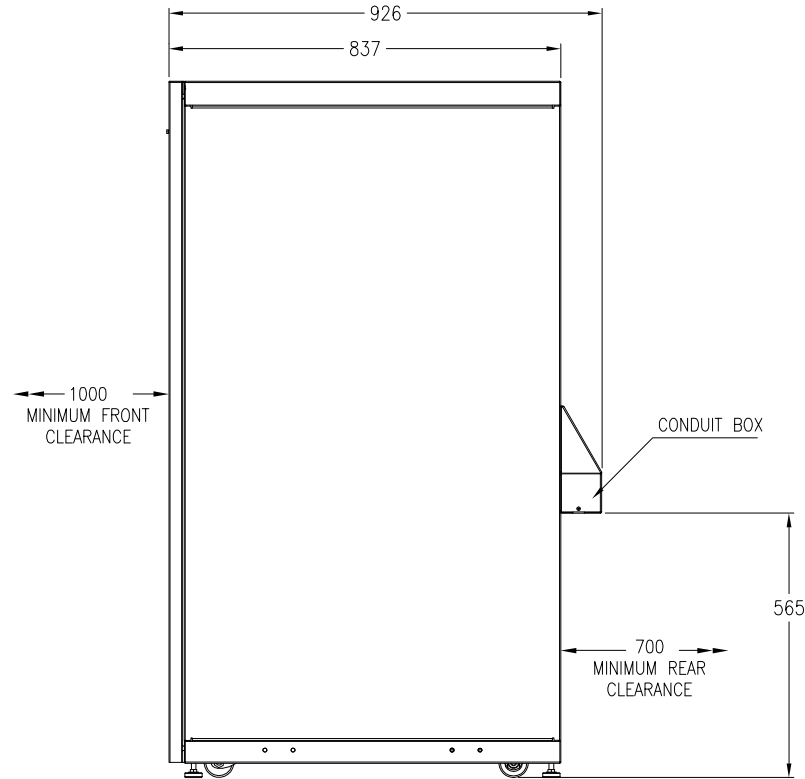
THIS DRAWING AND SPECIFICATIONS HEREIN ARE THE PROPERTY OF AMERICAN POWER CONVERSION AND SHALL NOT BE COPIED, REPRODUCED OR USED IN WHOLE OR IN PART, AS THE BASIS FOR THE MANUFACTURE OR SALE OF ITEMS WITHOUT WRITTEN PERMISSION FROM APC. THIS DRAWING IS BASED UPON LATEST AVAILABLE INFORMATION AND IS SUBJECT TO CHANGE WITHOUT NOTICE.	TITLE: SMART-UPS VT XR-CABINET WITHOUT DC BREAKER W/6 BATT. MODULES REAR VIEW	DWG NO: SUVTXR6B6S-MM2	REV. —
	PROJECT: SUBMITTAL DRAWING SHEET 2 OF 5	DRAWN BY: JAYAPRAKASH CHECKED BY: M SALOKHE ENGINEER: S WAGH	22/02/05 11/05/05 11/05/05
			PROJECTION AMERICAN POWER CONVERSION 132 FARGROUNDS RD WEST KINGSTON, RI 02892



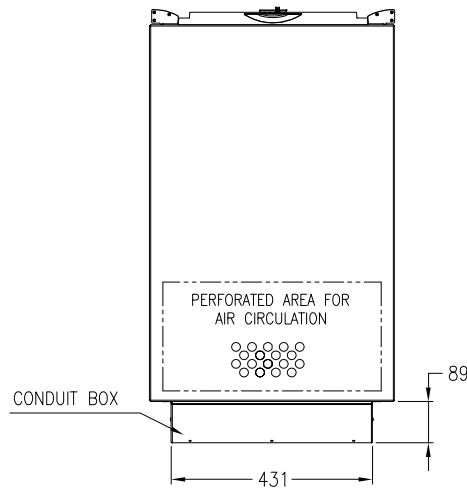
UNIT WITH OPTIONAL CONDUIT BOX



REAR VIEW



SIDE VIEW



TOP VIEW

NOTES:

1. PLEASE REFER TO INSTALLATION MANUAL FOR DETAILS.
2. ALL DIMENSIONS ARE IN MILLIMETERS.
3. CABLE ENTRY IS REAR OF UNIT VIA CONDUIT BOX.
4. CONDUIT BOX IS NOT PROVIDED WITH THE STANDARD UNIT BUT HAS TO BE ORDERED AS AN OPTION.
5. INSTALLATION MUST COMPLY WITH ALL APPLICABLE NATIONAL AND LOCAL CODES.

THIS DRAWING AND SPECIFICATIONS HEREIN ARE THE PROPERTY OF AMERICAN POWER CONVERSION AND SHALL NOT BE COPIED, REPRODUCED OR USED IN WHOLE OR IN PART, AS THE BASIS FOR THE MANUFACTURE OR SALE OF ITEMS WITHOUT WRITTEN PERMISSION FROM APC. THIS DRAWING IS BASED UPON LATEST AVAILABLE INFORMATION AND IS SUBJECT TO CHANGE WITHOUT NOTICE.

TITLE: SMART-UPS VT XR-CABINET
WITHOUT DC BREAKER
W/6 BATT. MODULES
CONDUIT BOX OPTION

DWG NO: SUVTXR6B6S-MM3

REV. —

DRAWN BY: JAYAPRAKASH 22/02/05

CHECKED BY: M SALOKHE 11/05/05

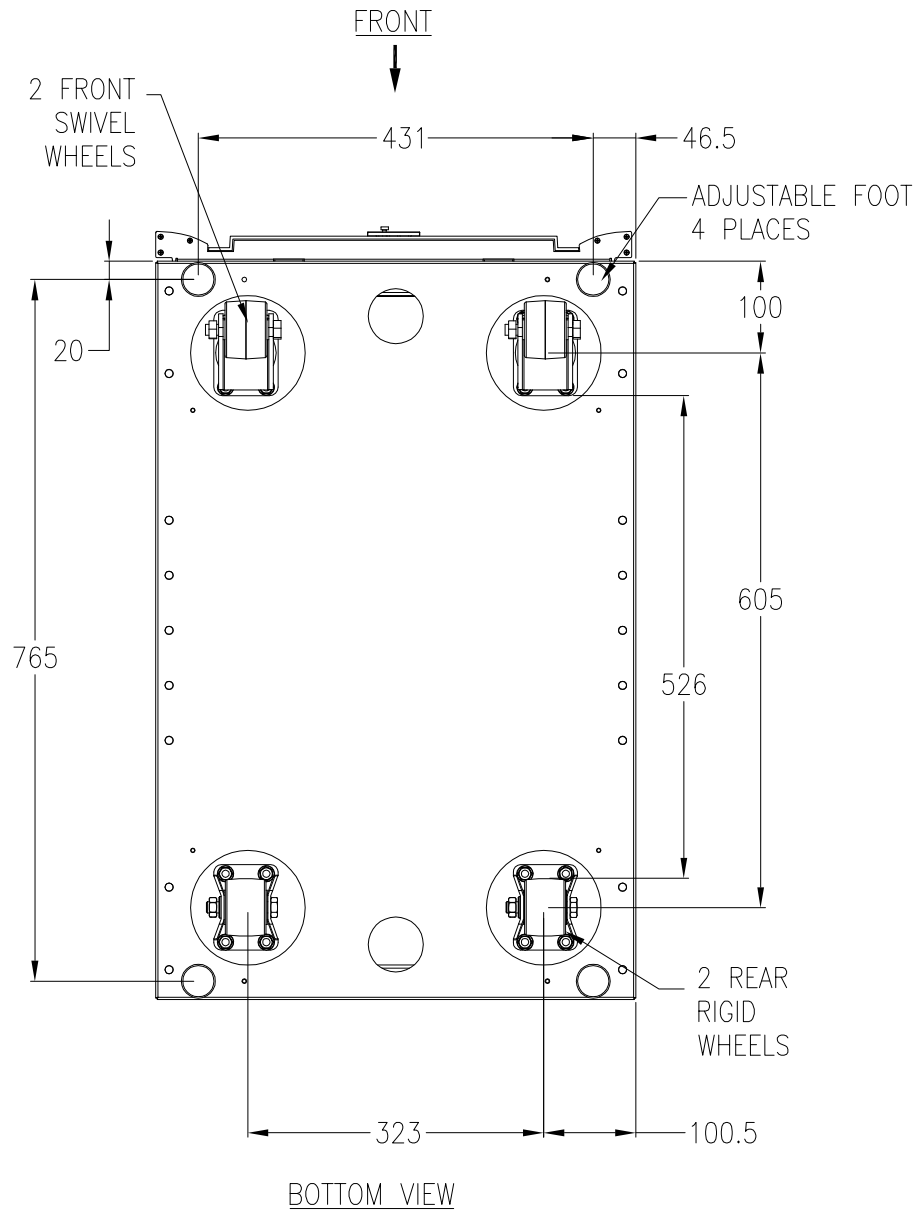
PROJECT: SUBMITTAL DRAWING

SHEET 3 OF 5

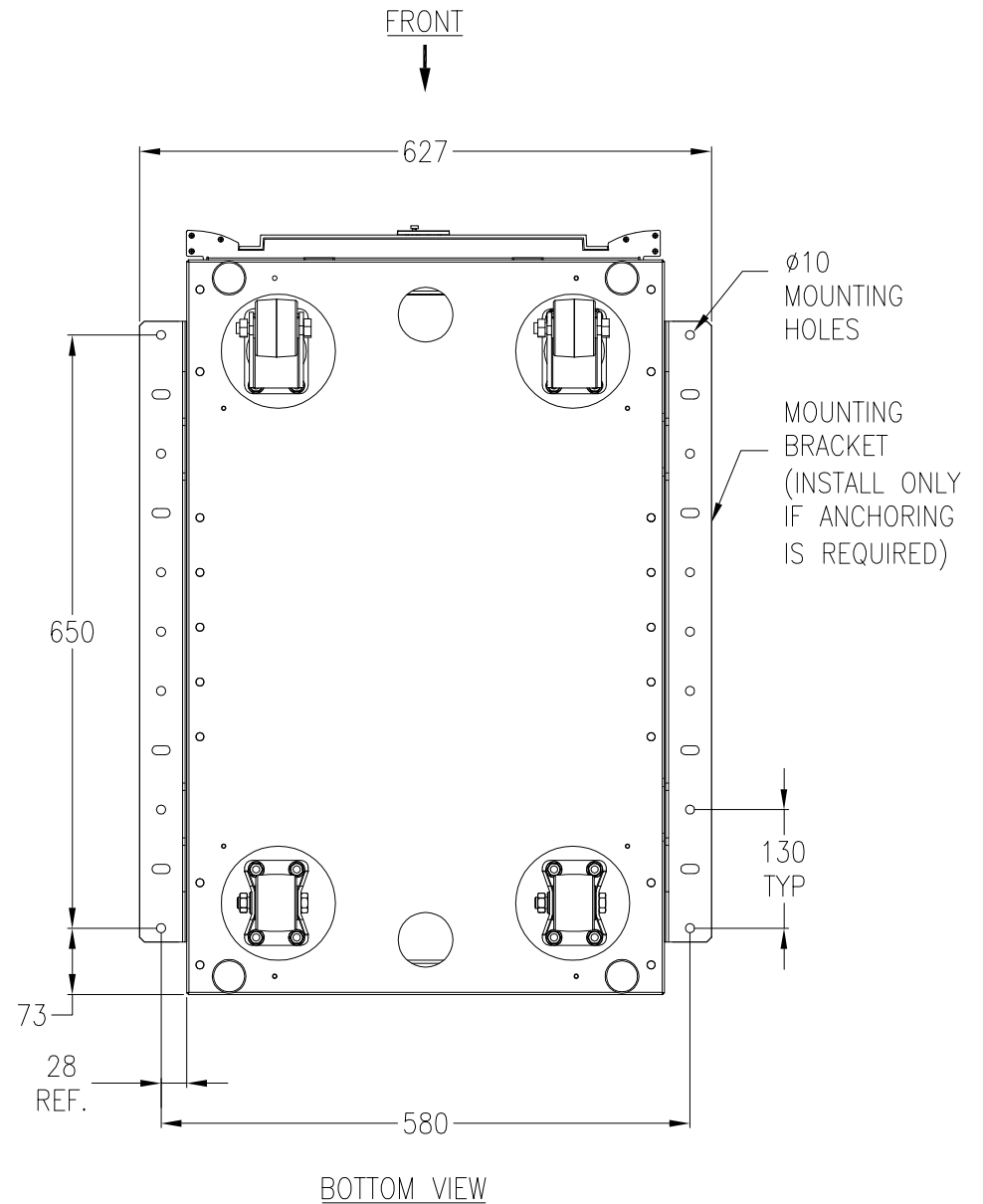
ENGINEER: S WAGH

PROJECTION

APC[®]
 AMERICAN POWER CONVERSION
 132 FARGROUNDS RD
 WEST KINGSTON, RI 02892



BOTTOM VIEW



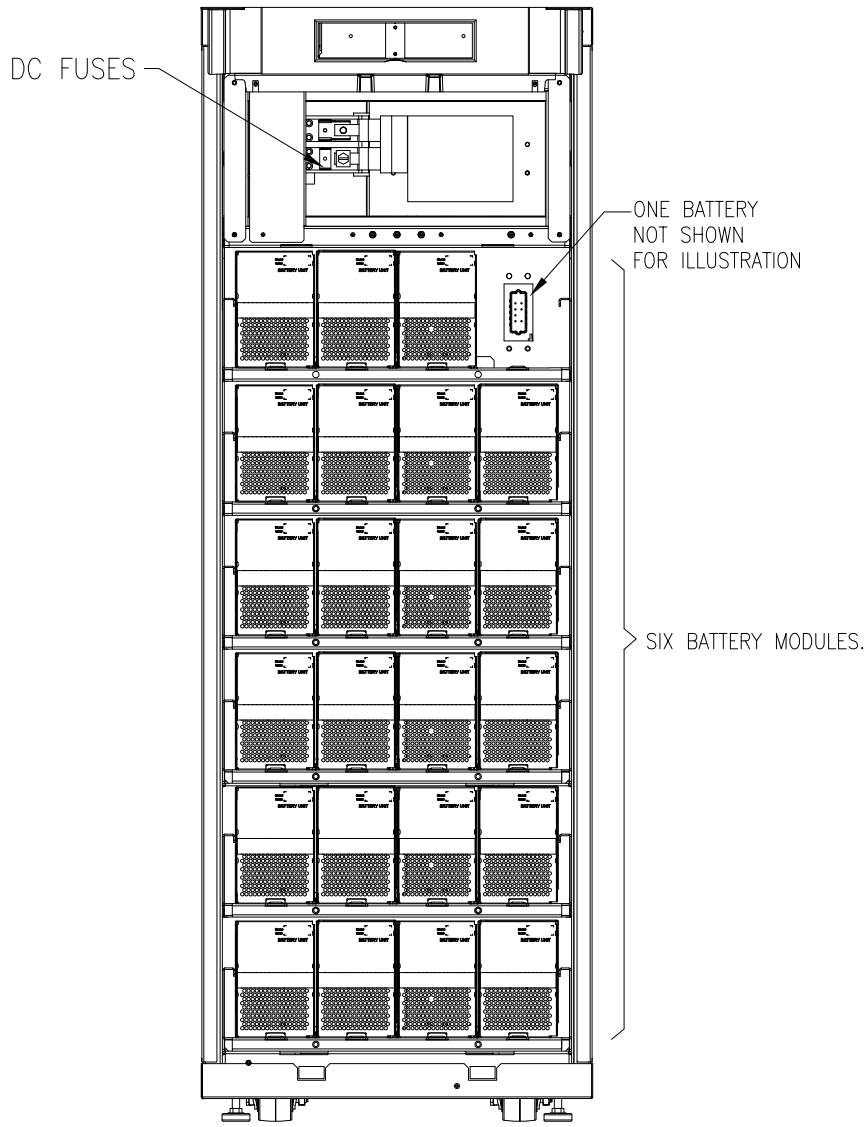
BOTTOM VIEW
WITH ANCHORING DETAIL (OPTIONAL)

NOTES:

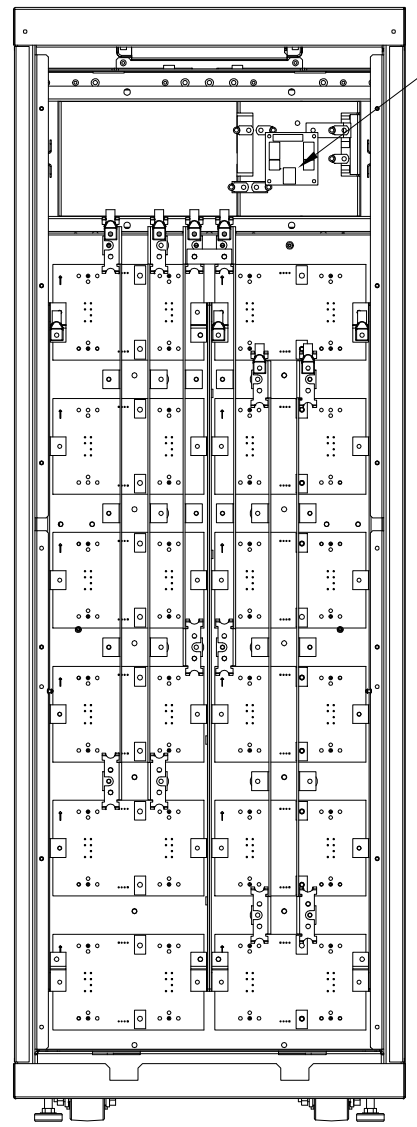
1. PLEASE REFER TO APC PRODUCT MANUAL.
2. ALL DIMENSIONS ARE IN MILLIMETERS.
3. INSTALLATION MUST COMPLY WITH ALL APPLICABLE NATIONAL AND LOCAL CODES.

<small>THIS DRAWING AND SPECIFICATIONS HEREIN ARE THE PROPERTY OF AMERICAN POWER CONVERSION AND SHALL NOT BE COPIED, REPRODUCED OR USED IN WHOLE OR IN PART, AS THE BASIS FOR THE MANUFACTURE OR SALE OF ITEMS WITHOUT WRITTEN PERMISSION FROM APC. THIS DRAWING IS BASED UPON LATEST AVAILABLE INFORMATION AND IS SUBJECT TO CHANGE WITHOUT NOTICE.</small>	TITLE: SMART-UPS VT XR-CABINET WITHOUT DC BREAKER W/6 BATT. MODULES BOTTOM VIEW		DWG NO: SUVTXR6B6S-MM4 REV. —	
	DRAWN BY: JAYAPRAKASH	22/02/05	PROJECTION	
CHECKED BY: M SALOKHE	11/05/05			
PROJECT: SUBMITTAL DRAWING	SHEET 4 OF 5	ENGINEER: S WACH	11/05/05	

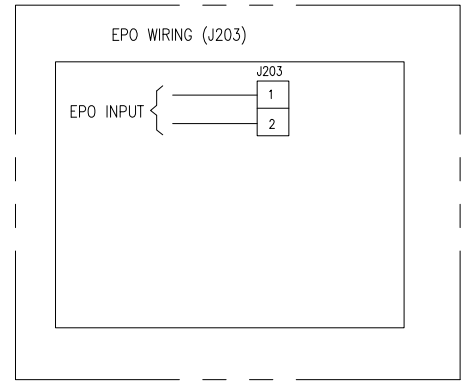




FRONT VIEW
PANEL REMOVED



REAR VIEW
PANEL REMOVED



EPO is activated when an isolated SELV 24 VDC voltage is supplied on pin 1 with reference to pin 2

- NOTES:
- PLEASE REFER TO APC PRODUCT MANUAL.
 - ALL DIMENSIONS ARE IN MILLIMETERS.
 - SUVT UPS IS DESIGNED FOR SINGLE AND DUAL MAINS.
SINGLE MAINS INSTALLATION IS A DEFAULT.
 - INSTALLATION MUST COMPLY WITH ALL APPLICABLE NATIONAL AND LOCAL CODES.

THIS DRAWING AND SPECIFICATIONS HEREIN ARE THE PROPERTY OF AMERICAN POWER CONVERSION AND SHALL NOT BE COPIED, REPRODUCED OR USED IN WHOLE OR IN PART, AS THE BASIS FOR THE MANUFACTURE OR SALE OF ITEMS WITHOUT WRITTEN PERMISSION FROM APC. THIS DRAWING IS BASED UPON LATEST AVAILABLE INFORMATION AND IS SUBJECT TO CHANGE WITHOUT NOTICE.		TITLE: SMART-UPS VT XR-CABINET WITHOUT DC BREAKER W/6 BATT. MODULES ELECTROMECHANICAL		DWG NO: SUVTXR6B6S-ME		REV. —
PROJECT: SUBMITTAL DRAWING		SHEET 5 OF 5		DRAWN BY: JAYAPRAKASH	22/02/05	PROJECTION
				CHECKED BY: M SALOKHE	11/05/05	⊕
				ENGINEER: S WASH	11/05/05	

