

NOTES:

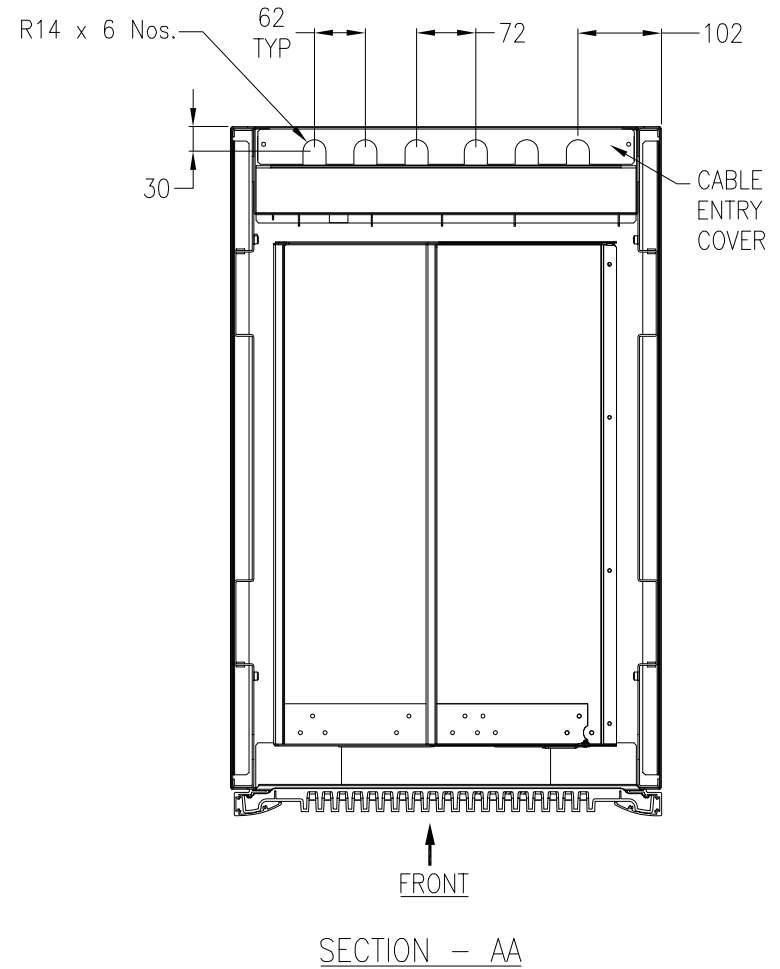
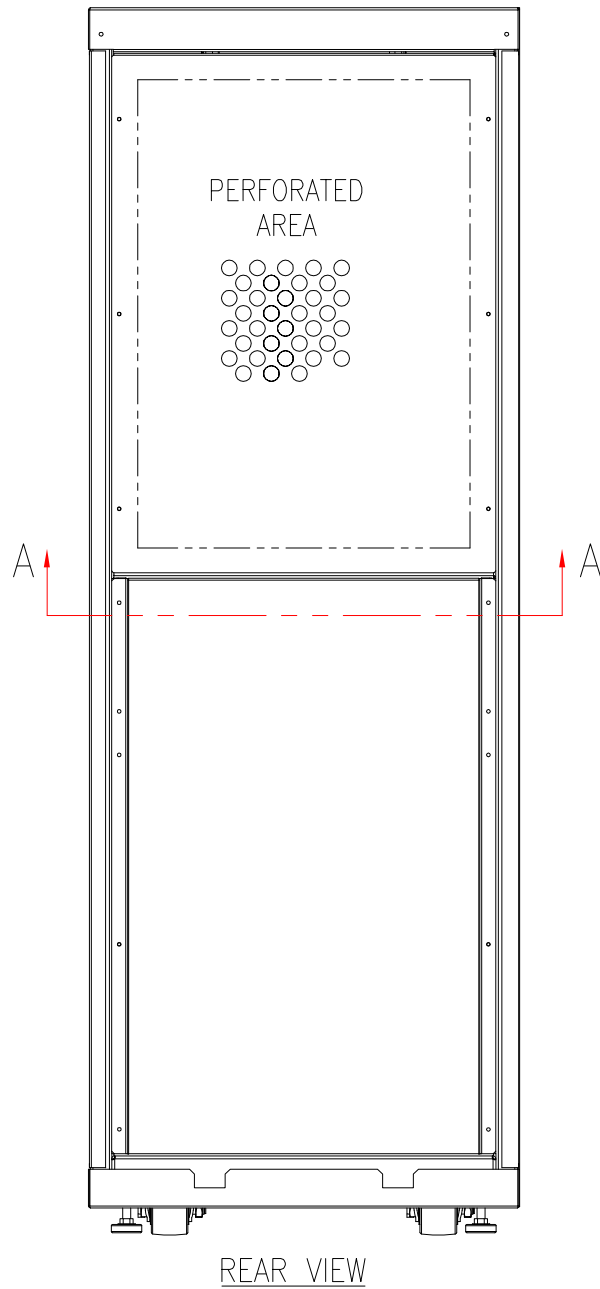
- PLEASE REFER TO INSTALLATION MANUAL FOR DETAILS
- ALL DIMENSIONS ARE IN MILLIMETERS.
- CABLE ENTRY IS REAR OF UNIT.
SEE UNIT WITH OPTIONAL CONDUIT BOX ON PAGE 3.
- FRONT AND REAR SERVICE CLEARANCE AND TOP COOLING CLEARANCE REQUIRED.
- REFER TO THE TABLE FOR WEIGHT OF THE UNIT.
- △ 6. CENTER OF GRAVITY OF THE UNIT
- INSTALLATION MUST COMPLY WITH ALL APPLICABLE NATIONAL AND LOCAL CODES.

No. of Battery Modules	x-distance mm	y-distance mm	z-distance mm
Two	261	500	403
Three	261	496	401
Four	261	520	399
Five	261	560	398
Six	261	610	397

WEIGHT DETAILS

SKU	Number of Battery modules	Weight
		kg
SUVTXR2B6S	2	399
SUVTXR2B6S+(1)SYBT4	3	491
SUVTXR2B6S+(2)SYBT4	4	583
SUVTXR2B6S+(3)SYBT4	5	675
SUVTXR2B6S+(4)SYBT4	6	767

<p>THIS DRAWING AND SPECIFICATIONS HEREIN ARE THE PROPERTY OF AMERICAN POWER CONVERSION AND SHALL NOT BE COPIED, REPRODUCED OR USED IN WHOLE OR IN PART, AS THE BASIS FOR THE MANUFACTURE OR SALE OF ITEMS WITHOUT WRITTEN PERMISSION FROM APC. THIS DRAWING IS BASED UPON LATEST AVAILABLE INFORMATION AND IS SUBJECT TO CHANGE WITHOUT NOTICE.</p>	<p>TITLE: SMART-UPS VT XR-CABINET WITHOUT DC BREAKER W/2 BATT. MODULE EXP. TO 6 MAIN MECHANICAL</p>		<p>DWG NO: SUVTXR2B6S-MM1</p>		<p>REV. —</p>
	<p>PROJECT: SUBMITTAL DRAWING</p>	<p>SHEET 1 OF 5</p>	<p>DRAWN BY: JAYAPRAKASH</p>	<p>22/02/05</p>	<p>PROJECTION</p>
			<p>CHECKED BY: M SALOKHE</p>	<p>11/05/05</p>	<p>AMERICAN POWER CONVERSION 132 FARGROUNDS RD WEST KINGSTON, RI 02892</p>
			<p>ENGINEER: S WAGH</p>	<p>11/05/05</p>	



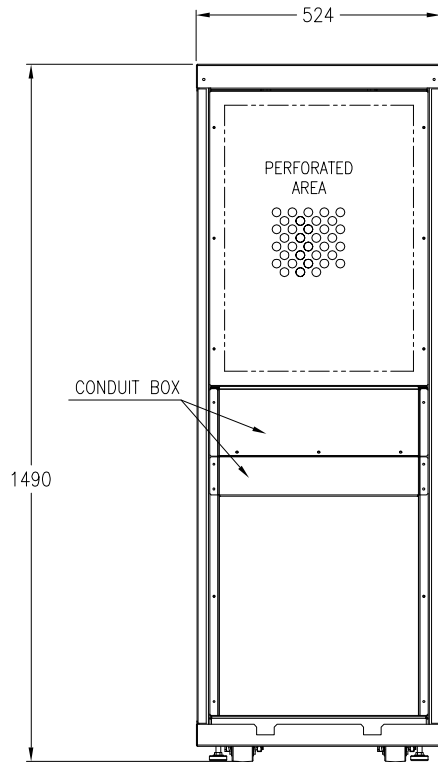
NOTES:

1. PLEASE REFER TO APC PRODUCT MANUAL.
2. ALL DIMENSIONS ARE IN MILLIMETERS.
3. INSTALLATION MUST COMPLY WITH ALL APPLICABLE NATIONAL AND LOCAL CODES.

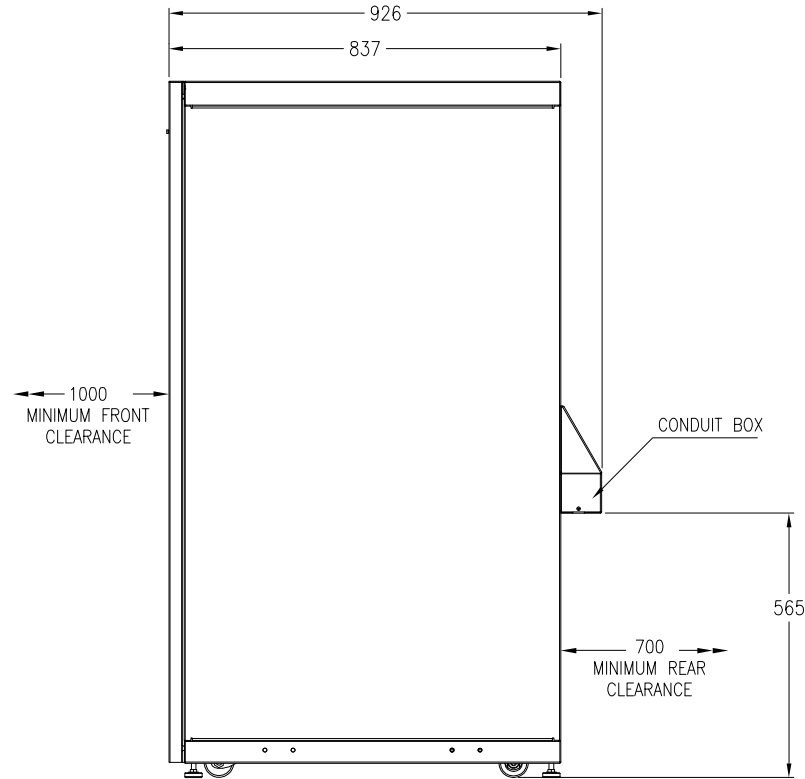
THIS DRAWING AND SPECIFICATIONS HEREIN ARE THE PROPERTY OF AMERICAN POWER CONVERSION AND SHALL NOT BE COPIED, REPRODUCED OR USED IN WHOLE OR IN PART, AS THE BASIS FOR THE MANUFACTURE OR SALE OF ITEMS WITHOUT WRITTEN PERMISSION FROM APC. THIS DRAWING IS BASED UPON LATEST AVAILABLE INFORMATION AND IS SUBJECT TO CHANGE WITHOUT NOTICE.	TITLE: SMART-UPS VT XR-CABINET WITHOUT DC BREAKER W/2 BATT. MODULE EXP. TO 6 REAR VIEW		DWG NO: SUVTXR2B6S-MM2		REV. —
	PROJECT: SUBMITTAL DRAWING	SHEET 2 OF 5	DRAWN BY: JAYAPRAKASH	22/02/05	PROJECTION
		CHECKED BY: M SALOKHE	11/05/05		
		ENGINEER: S WAGH	11/05/05		



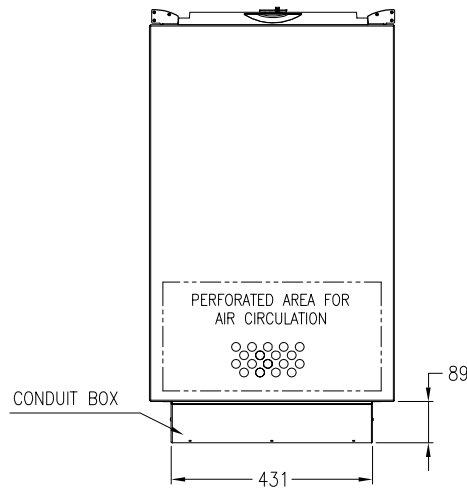
UNIT WITH OPTIONAL CONDUIT BOX



REAR VIEW



SIDE VIEW



TOP VIEW

NOTES:

1. PLEASE REFER TO INSTALLATION MANUAL FOR DETAILS.
2. ALL DIMENSIONS ARE IN MILLIMETERS.
3. CABLE ENTRY IS REAR OF UNIT VIA CONDUIT BOX.
4. CONDUIT BOX IS NOT PROVIDED WITH THE STANDARD UNIT BUT HAS TO BE ORDERED AS AN OPTION.
5. INSTALLATION MUST COMPLY WITH ALL APPLICABLE NATIONAL AND LOCAL CODES.

THIS DRAWING AND SPECIFICATIONS HEREIN ARE THE PROPERTY OF AMERICAN POWER CONVERSION AND SHALL NOT BE COPIED, REPRODUCED OR USED IN WHOLE OR IN PART, AS THE BASIS FOR THE MANUFACTURE OR SALE OF ITEMS WITHOUT WRITTEN PERMISSION FROM APC. THIS DRAWING IS BASED UPON LATEST AVAILABLE INFORMATION AND IS SUBJECT TO CHANGE WITHOUT NOTICE.

TITLE: SMART-UPS VT XR-CABINET
WITHOUT DC BREAKER
W/2 BATT. MODULE EXP. TO 6
CONDUIT BOX OPTION

DWG NO: SUVTXR2B6S-MM3

REV. —

DRAWN BY: JAYAPRAKASH 22/02/05

CHECKED BY: M SALOKHE 11/05/05

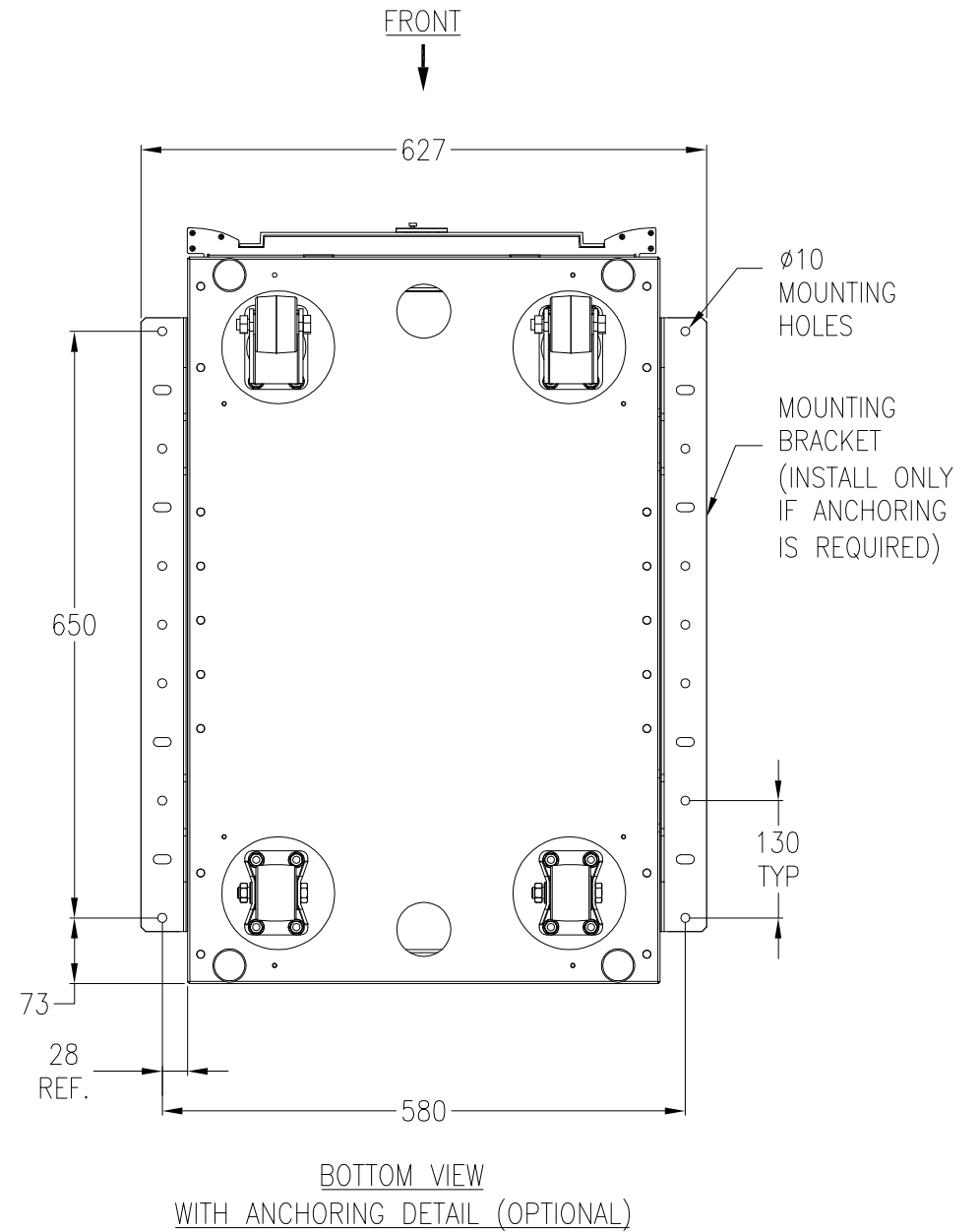
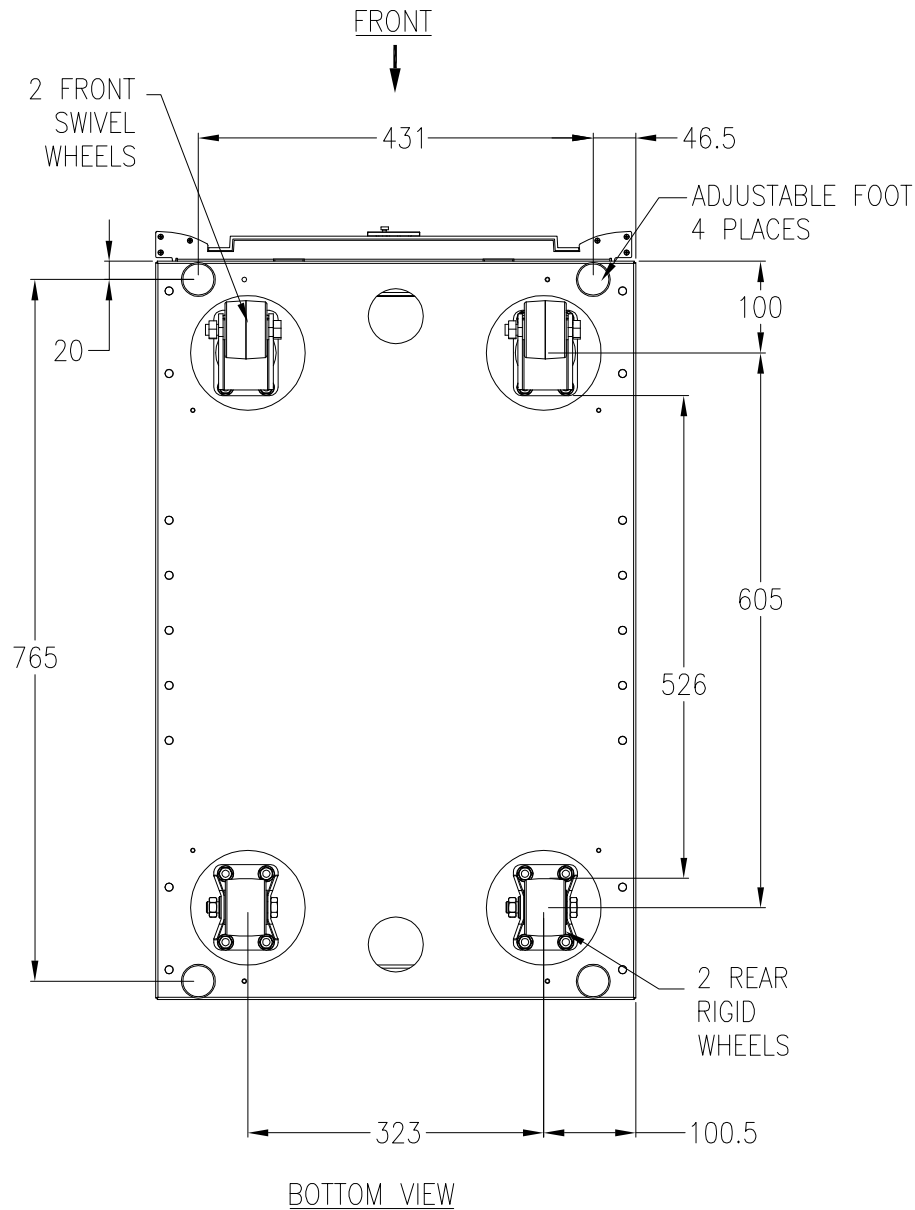
PROJECT: SUBMITTAL DRAWING

SHEET 3 OF 5

ENGINEER: S WAGH

PROJECTION

APC[®]
 AMERICAN POWER CONVERSION
 132 FARGROUNDS RD
 WEST KINGSTON, RI 02892

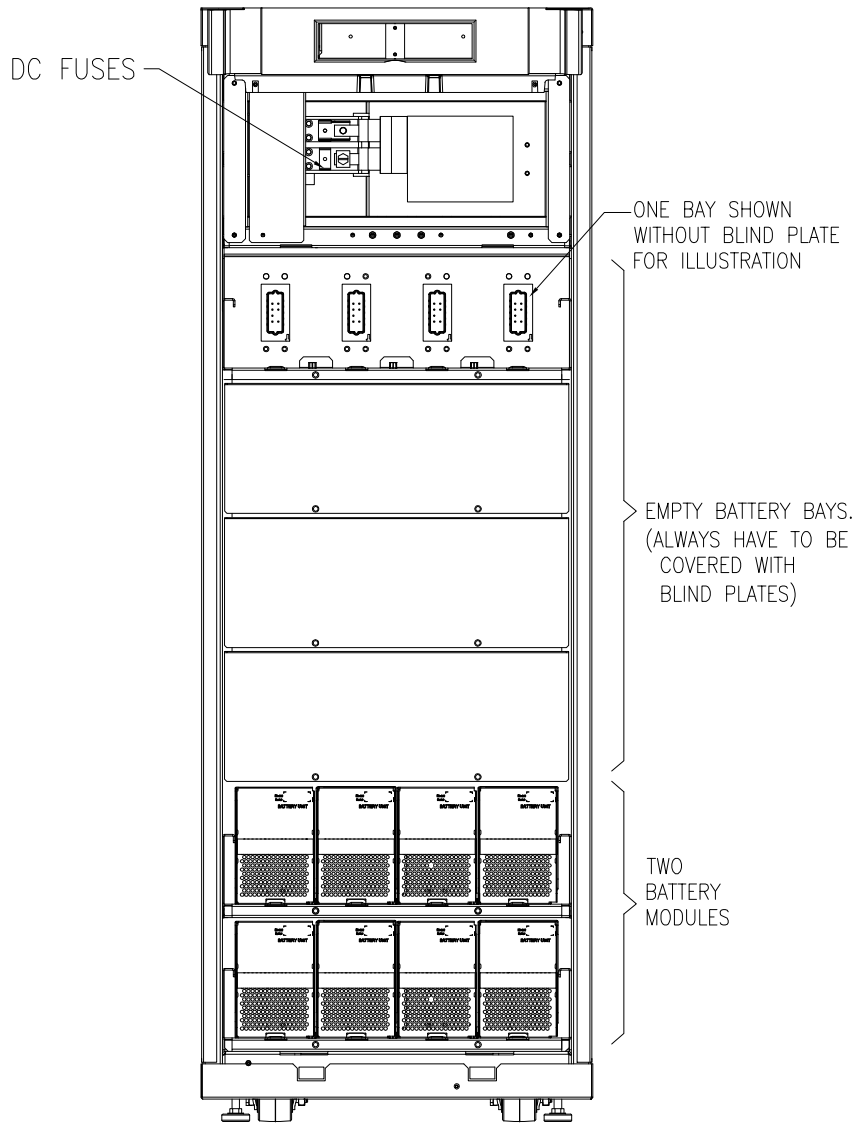


NOTES:

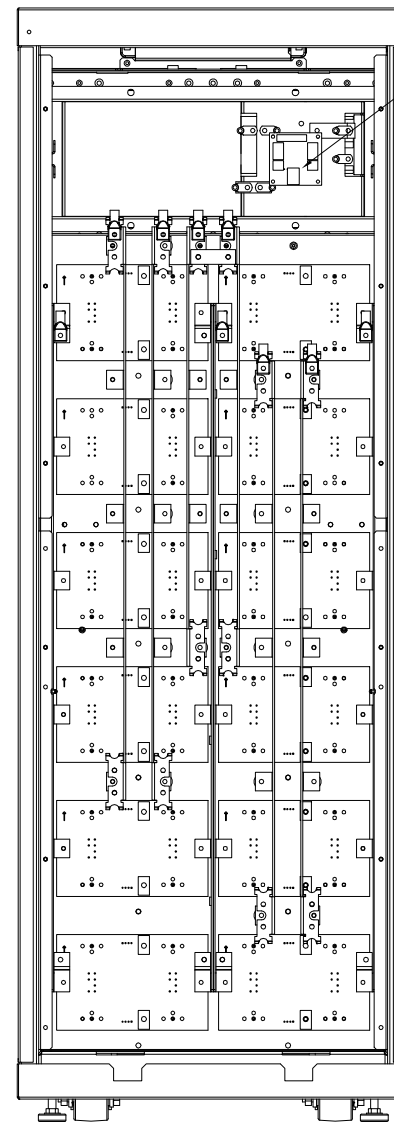
1. PLEASE REFER TO APC PRODUCT MANUAL.
2. ALL DIMENSIONS ARE IN MILLIMETERS.
3. INSTALLATION MUST COMPLY WITH ALL APPLICABLE NATIONAL AND LOCAL CODES.

THIS DRAWING AND SPECIFICATIONS HEREIN ARE THE PROPERTY OF AMERICAN POWER CONVERSION AND SHALL NOT BE COPIED, REPRODUCED OR USED IN WHOLE OR IN PART, AS THE BASIS FOR THE MANUFACTURE OR SALE OF ITEMS WITHOUT WRITTEN PERMISSION FROM APC. THIS DRAWING IS BASED UPON LATEST AVAILABLE INFORMATION AND IS SUBJECT TO CHANGE WITHOUT NOTICE.		TITLE: SMART-UPS VT XR-CABINET WITHOUT DC BREAKER W/2 BATT. MODULE EXP. TO 6 BOTTOM VIEW		DWG NO: SUVTXR2B6S-MM4		REV. -	
PROJECT: SUBMITTAL DRAWING		SHEET 4 OF 5		DRAWN BY: JAYAPRAKASH		22/02/05	
				CHECKED BY: M SALOKHE		11/05/05	
				ENGINEER: S WACH		11/05/05	

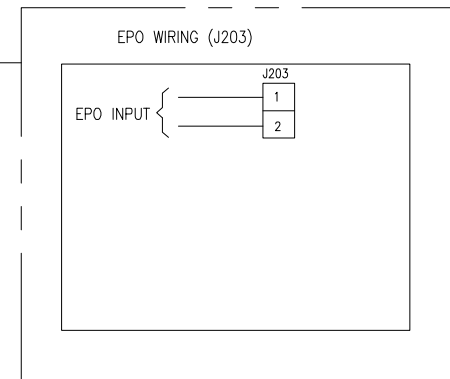




FRONT VIEW
PANEL REMOVED



REAR VIEW
PANEL REMOVED



EPO is activated when an isolated SELV 24 VDC voltage is supplied on pin 1 with reference to pin 2

NOTES:

1. PLEASE REFER TO APC PRODUCT MANUAL.
2. ALL DIMENSIONS ARE IN MILLIMETERS.
3. SUVT UPS IS DESIGNED FOR SINGLE AND DUAL MAINS.
SINGLE MAINS INSTALLATION IS A DEFAULT.
4. INSTALLATION MUST COMPLY WITH ALL APPLICABLE NATIONAL AND LOCAL CODES.

THIS DRAWING AND SPECIFICATIONS HEREIN ARE THE PROPERTY OF AMERICAN POWER CONVERSION AND SHALL NOT BE COPIED, REPRODUCED OR USED IN WHOLE OR IN PART, AS THE BASIS FOR THE MANUFACTURE OR SALE OF ITEMS WITHOUT WRITTEN PERMISSION FROM APC. THIS DRAWING IS BASED UPON LATEST AVAILABLE INFORMATION AND IS SUBJECT TO CHANGE WITHOUT NOTICE.

TITLE: SMART-UPS VT XR-CABINET
WITHOUT DC BREAKER
W/2 BATT. MODULE EXP. TO 6
ELECTROMECHANICAL
PROJECT: SUBMITTAL DRAWING SHEET 5 OF 5

DWG NO: SUVTXR2B6S-ME
DRAWN BY: JAYAPRAKASH 22/02/05
CHECKED BY: M SALOKHE 11/05/05
ENGINEER: S WAGH 11/05/05

REV. —
PROJECTION

