

NOTES:

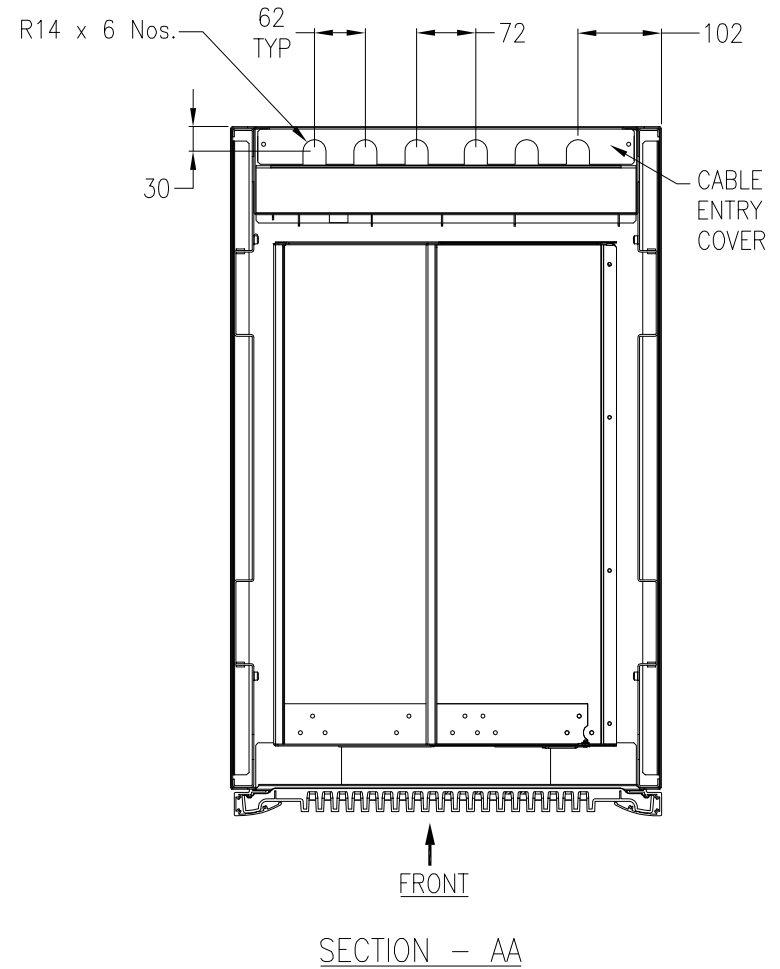
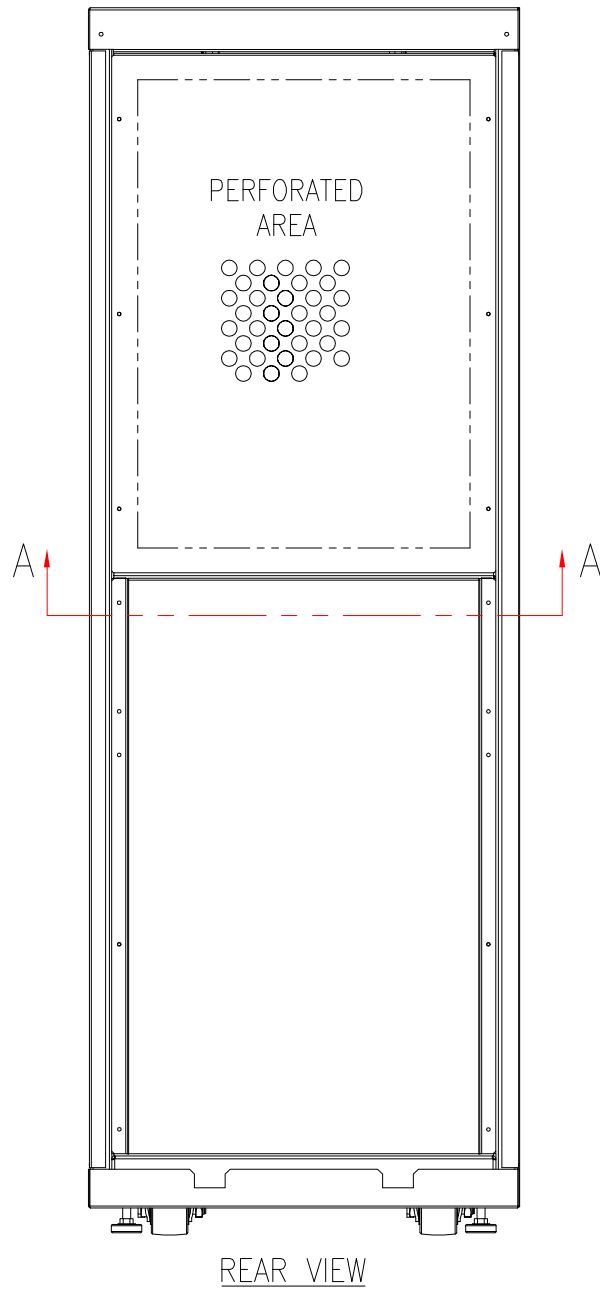
- PLEASE REFER TO INSTALLATION MANUAL FOR DETAILS
- ALL DIMENSIONS ARE IN MILLIMETERS.
- CABLE ENTRY IS REAR OF UNIT.
SEE UNIT WITH OPTIONAL CONDUIT BOX ON PAGE 3.
- FRONT AND REAR SERVICE CLEARANCE AND TOP COOLING CLEARANCE REQUIRED.
- WEIGHT OF UNIT IS 767 kg.
- △ 6. CENTER OF GRAVITY OF THE UNIT

x-distance mm	y-distance mm	z-distance mm
261	610	397

7. INSTALLATION MUST COMPLY WITH ALL APPLICABLE NATIONAL AND LOCAL CODES.

THIS DRAWING AND SPECIFICATIONS HEREIN ARE THE PROPERTY OF AMERICAN POWER CONVERSION AND SHALL NOT BE COPIED, REPRODUCED OR USED IN WHOLE OR IN PART, AS THE BASIS FOR THE MANUFACTURE OR SALE OF ITEMS WITHOUT WRITTEN PERMISSION FROM APC. THIS DRAWING IS BASED UPON LATEST AVAILABLE INFORMATION AND IS SUBJECT TO CHANGE WITHOUT NOTICE.	TITLE: SMART-UPS VT XR-CABINET WITH DC BREAKER W/6 BATT. MODULES MAIN MECHANICAL	DWG NO: SUVTBXR6B6S-MM1	REV. —
		DRAWN BY: JAYAPRAKASH CHECKED BY: M SALOKHE ENGINEER: S WAGH	22/02/05 11/05/05 11/05/05
PROJECT: SUBMITTAL DRAWING	SHEET 1 OF 5	PROJECTION	





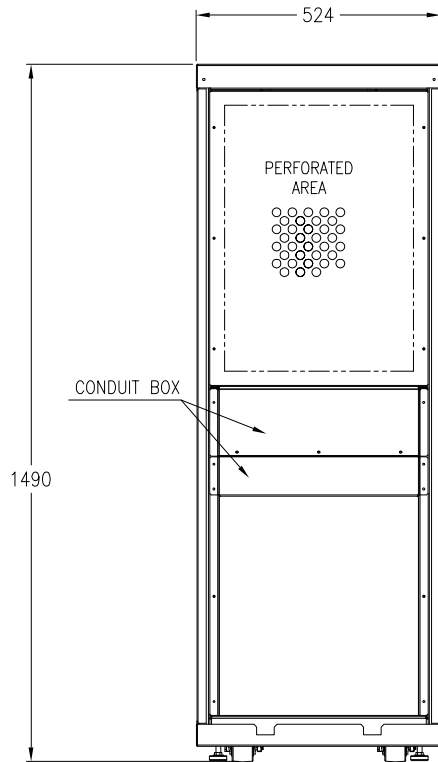
NOTES:

1. PLEASE REFER TO APC PRODUCT MANUAL.
2. ALL DIMENSIONS ARE IN MILLIMETERS.
3. INSTALLATION MUST COMPLY WITH ALL APPLICABLE NATIONAL AND LOCAL CODES.

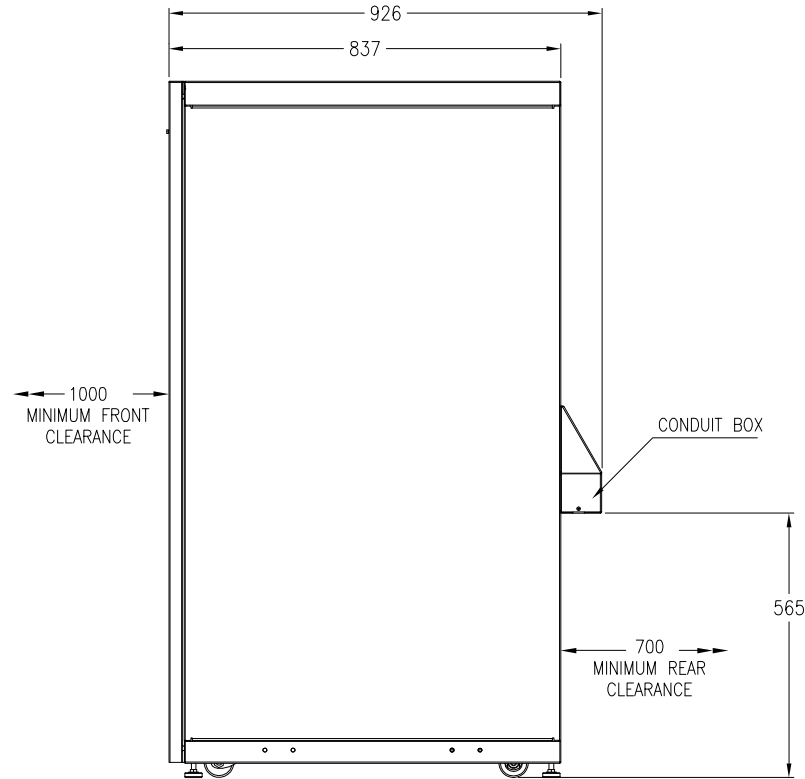
<small>THIS DRAWING AND SPECIFICATIONS HEREIN ARE THE PROPERTY OF AMERICAN POWER CONVERSION AND SHALL NOT BE COPIED, REPRODUCED OR USED IN WHOLE OR IN PART, AS THE BASIS FOR THE MANUFACTURE OR SALE OF ITEMS WITHOUT WRITTEN PERMISSION FROM APC. THIS DRAWING IS BASED UPON LATEST AVAILABLE INFORMATION AND IS SUBJECT TO CHANGE WITHOUT NOTICE.</small>	TITLE: SMART-UPS VT XR-CABINET WITH DC BREAKER W/6 BATT. MODULES REAR VIEW		DWG NO: SUVTBXR6B6S-MM2		REV. —
	PROJECT: SUBMITTAL DRAWING SHEET 2 OF 5		DRAWN BY: JAYAPRAKASH	22/02/05	PROJECTION
			CHECKED BY: M SALOKHE	11/05/05	
			ENGINEER: S WAGH	11/05/05	



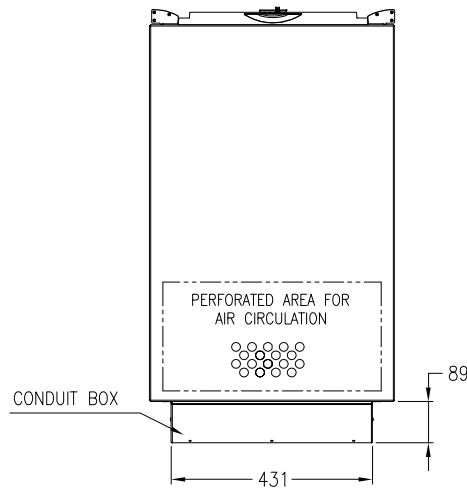
UNIT WITH OPTIONAL CONDUIT BOX



REAR VIEW



SIDE VIEW



TOP VIEW

NOTES:

1. PLEASE REFER TO INSTALLATION MANUAL FOR DETAILS.
2. ALL DIMENSIONS ARE IN MILLIMETERS.
3. CABLE ENTRY IS REAR OF UNIT VIA CONDUIT BOX.
4. CONDUIT BOX IS NOT PROVIDED WITH THE STANDARD UNIT BUT HAS TO BE ORDERED AS AN OPTION.
5. INSTALLATION MUST COMPLY WITH ALL APPLICABLE NATIONAL AND LOCAL CODES.

THIS DRAWING AND SPECIFICATIONS HEREIN ARE THE PROPERTY OF AMERICAN POWER CONVERSION AND SHALL NOT BE COPIED, REPRODUCED OR USED IN WHOLE OR IN PART, AS THE BASIS FOR THE MANUFACTURE OR SALE OF ITEMS WITHOUT WRITTEN PERMISSION FROM APC. THIS DRAWING IS BASED UPON LATEST AVAILABLE INFORMATION AND IS SUBJECT TO CHANGE WITHOUT NOTICE.

TITLE: SMART-UPS VT XR-CABINET
WITH DC BREAKER
W/6 BATT. MODULES
CONDUIT BOX OPTION

DWG NO: SUVTBXR6B6S-MM3

REV. —

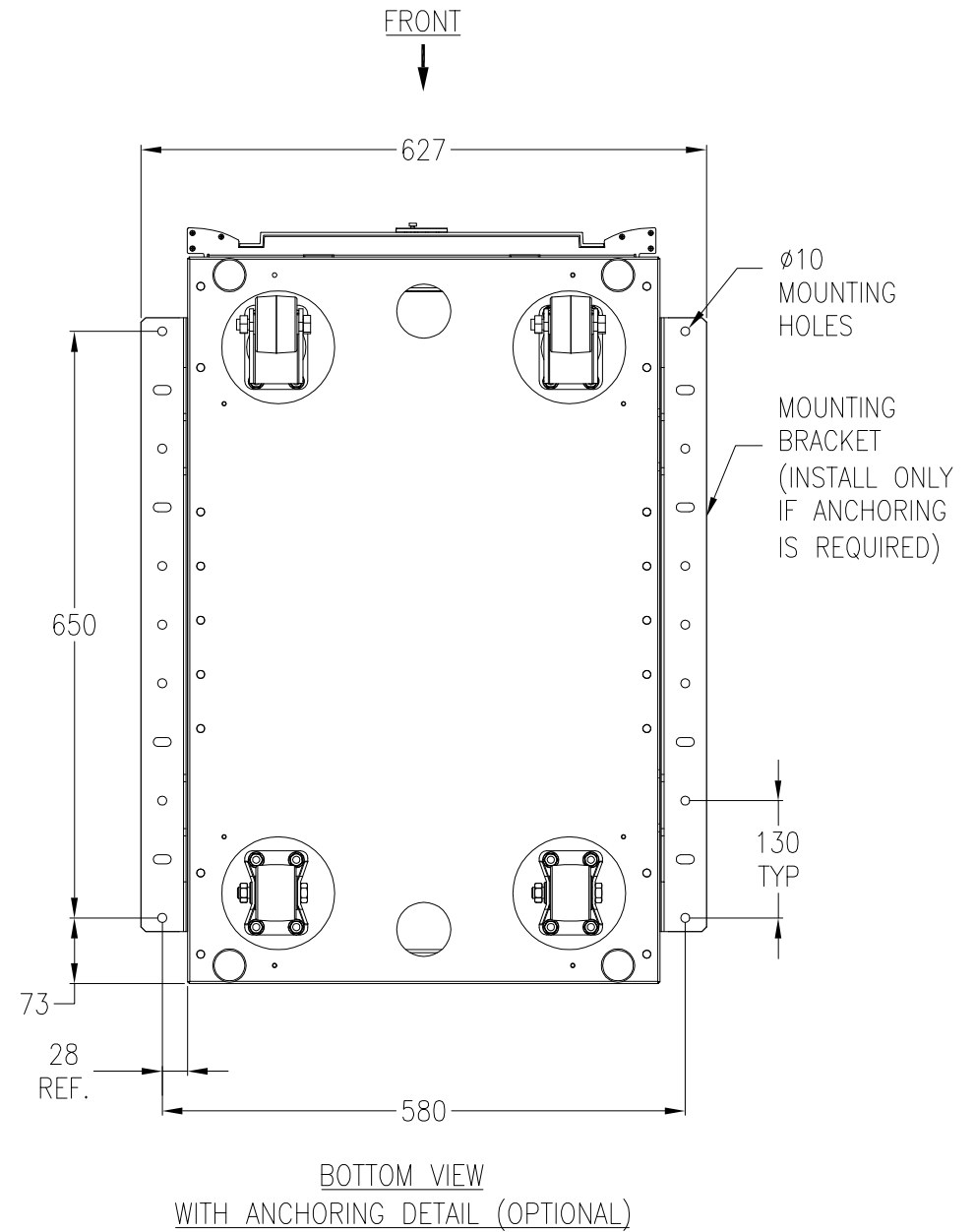
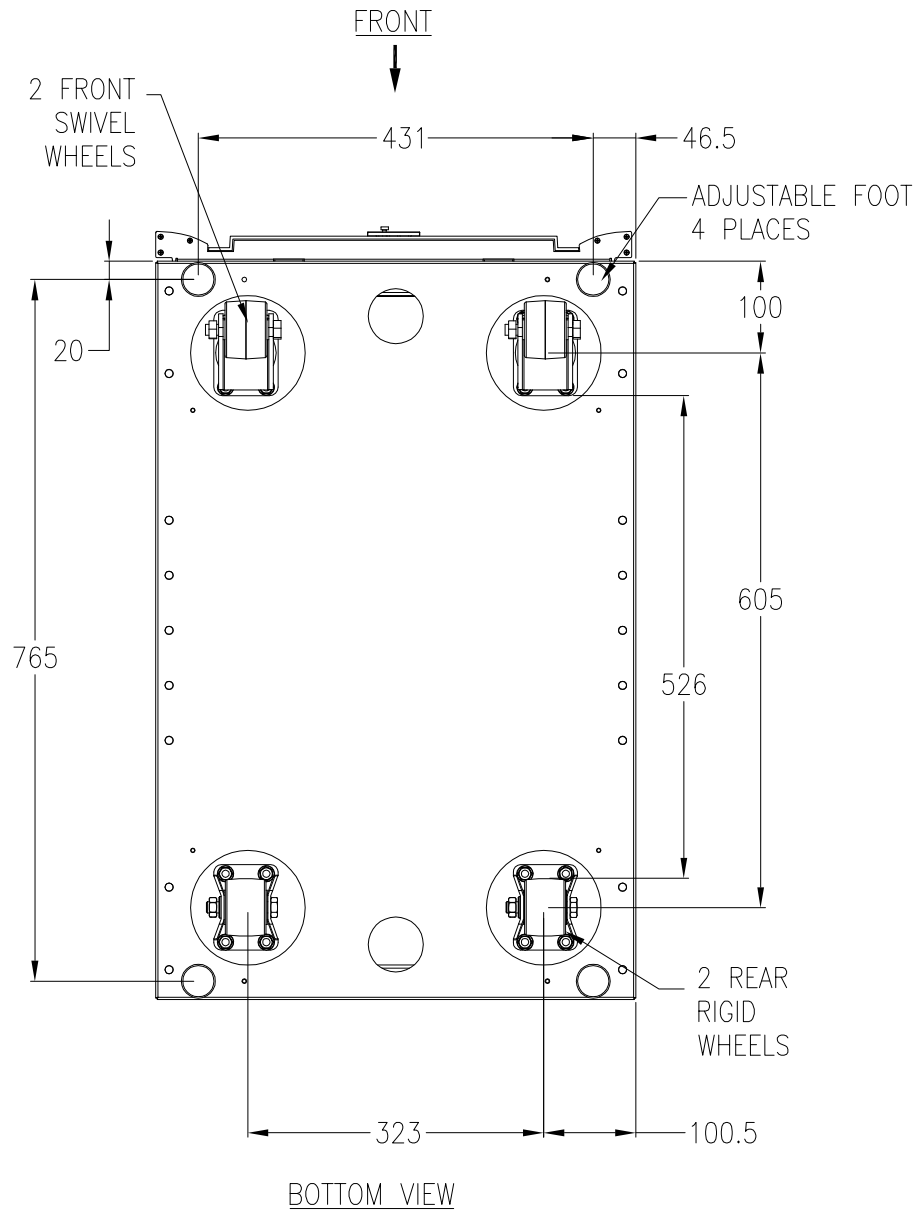
DRAWN BY: JAYAPRAKASH 22/02/05

CHECKED BY: M SALOKHE 11/05/05

PROJECT: SUBMITTAL DRAWING SHEET 3 OF 5 ENGINEER: S WAGH 11/05/05

PROJECTION

APC[®]
AMERICAN POWER CONVERSION
132 FARGROUNDS RD
WEST KINGSTON, RI 02892

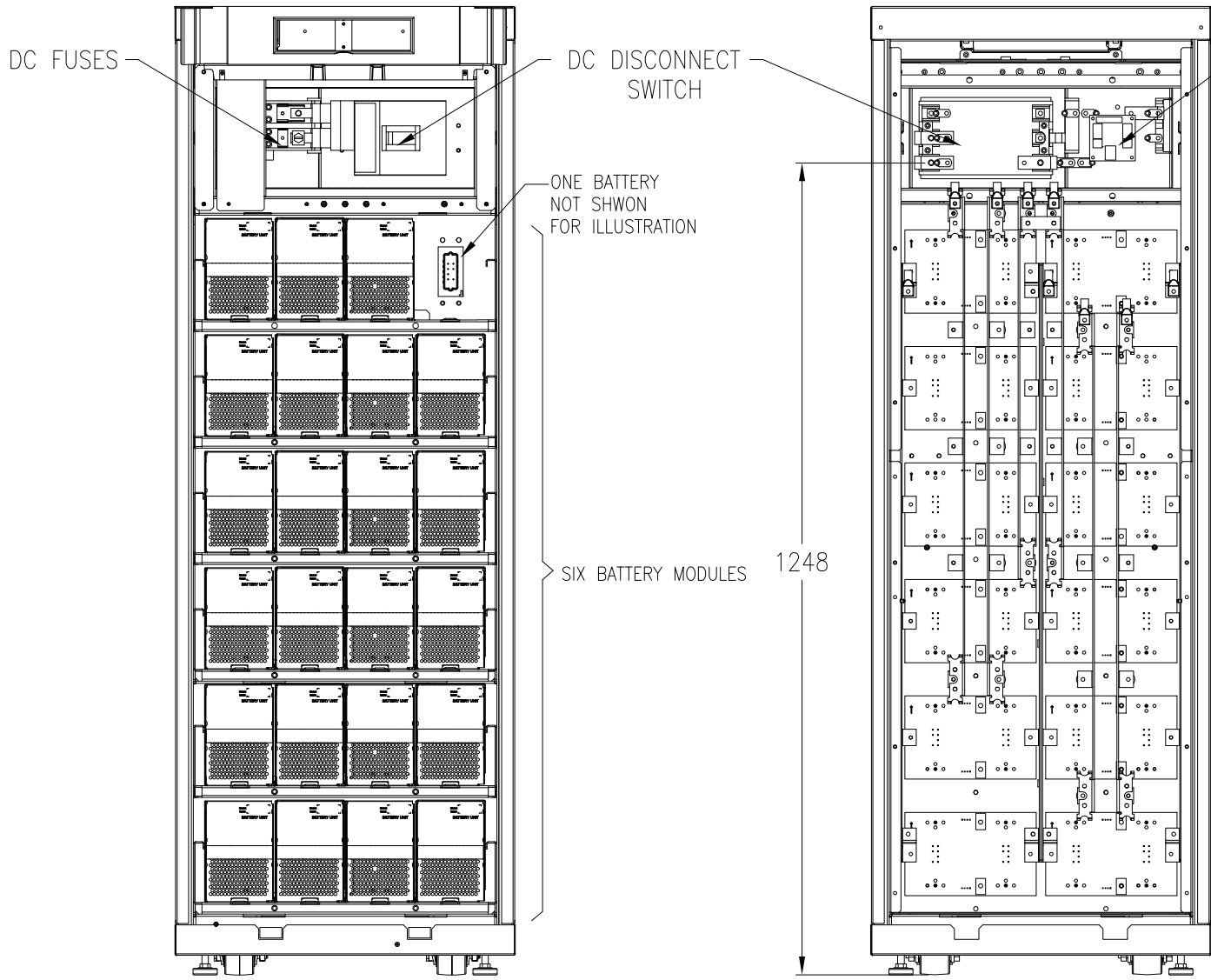


NOTES:

1. PLEASE REFER TO APC PRODUCT MANUAL.
2. ALL DIMENSIONS ARE IN MILLIMETERS.
3. INSTALLATION MUST COMPLY WITH ALL APPLICABLE NATIONAL AND LOCAL CODES.

THIS DRAWING AND SPECIFICATIONS HEREIN ARE THE PROPERTY OF AMERICAN POWER CONVERSION AND SHALL NOT BE COPIED, REPRODUCED OR USED IN WHOLE OR IN PART, AS THE BASIS FOR THE MANUFACTURE OR SALE OF ITEMS WITHOUT WRITTEN PERMISSION FROM APC. THIS DRAWING IS BASED UPON LATEST AVAILABLE INFORMATION AND IS SUBJECT TO CHANGE WITHOUT NOTICE.	TITLE: SMART-UPS VT XR-CABINET WITH DC BREAKER W/6 BATT. MODULES BOTTOM VIEW		DWG NO: SUVTBXR6B6S-MM4	REV. -
	DRAWN BY: JAYAPRAKASH	22/02/05	CHECKED BY: M SALOKHE	11/05/05
PROJECT: SUBMITTAL DRAWING	SHEET 4 OF 5	ENGINEER: S WACH	11/05/05	PROJECTION





EPO is activated when an isolated SELV 24 VDC voltage is supplied on pin 1 with reference to pin 2

FRONT VIEW
PANEL REMOVED

REAR VIEW
PANEL REMOVED

NOTES:

1. PLEASE REFER TO APC PRODUCT MANUAL.
2. ALL DIMENSIONS ARE IN MILLIMETERS.
3. SUVT UPS IS DESIGNED FOR SINGLE AND DUAL MAINS.
SINGLE MAINS INSTALLATION IS A DEFAULT.
4. INSTALLATION MUST COMPLY WITH ALL APPLICABLE NATIONAL AND LOCAL CODES.

THIS DRAWING AND SPECIFICATIONS HEREIN ARE THE PROPERTY OF AMERICAN POWER CONVERSION AND SHALL NOT BE COPIED, REPRODUCED OR USED IN WHOLE OR IN PART, AS THE BASIS FOR THE MANUFACTURE OR SALE OF ITEMS WITHOUT WRITTEN PERMISSION FROM APC. THIS DRAWING IS BASED UPON LATEST AVAILABLE INFORMATION AND IS SUBJECT TO CHANGE WITHOUT NOTICE.		TITLE: SMART-UPS VT XR-CABINET WITH DC BREAKER W/6 BATT. MODULES ELECTROMECHANICAL		DWG NO: SUVTBXR6B6S-ME		REV. —
PROJECT: SUBMITTAL DRAWING		SHEET 5 OF 5		ENGINEER: S WASH	PROJECTION	AMERICAN POWER CONVERSION 132 FARGROUNDS RD WEST KINGSTON, RI 02892
				DRAWN BY: JAYAPRAKASH	22/02/05	
				CHECKED BY: M SALOKHE	11/05/05	
					11/05/05	