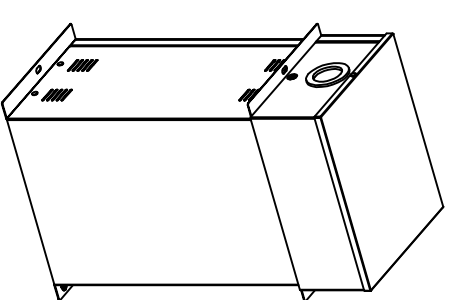
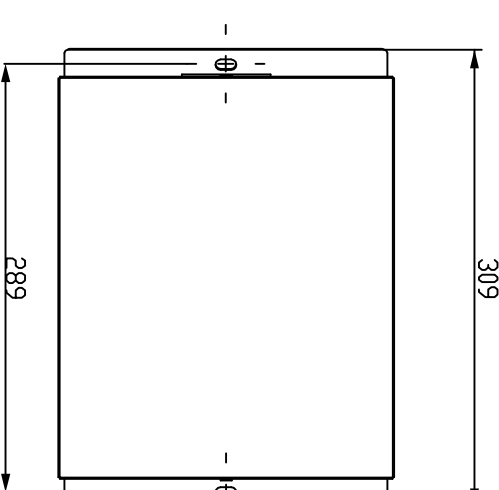
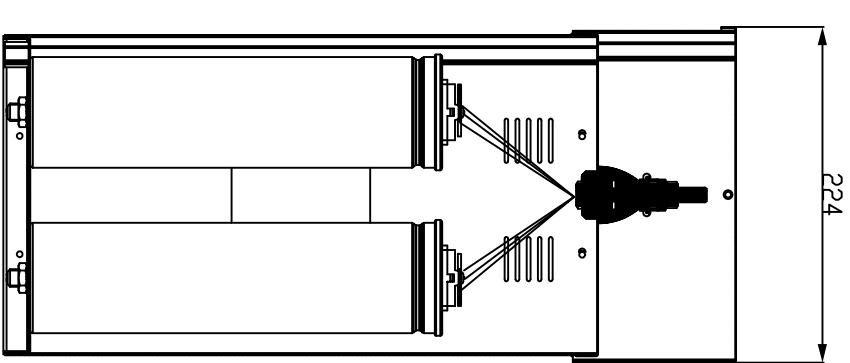
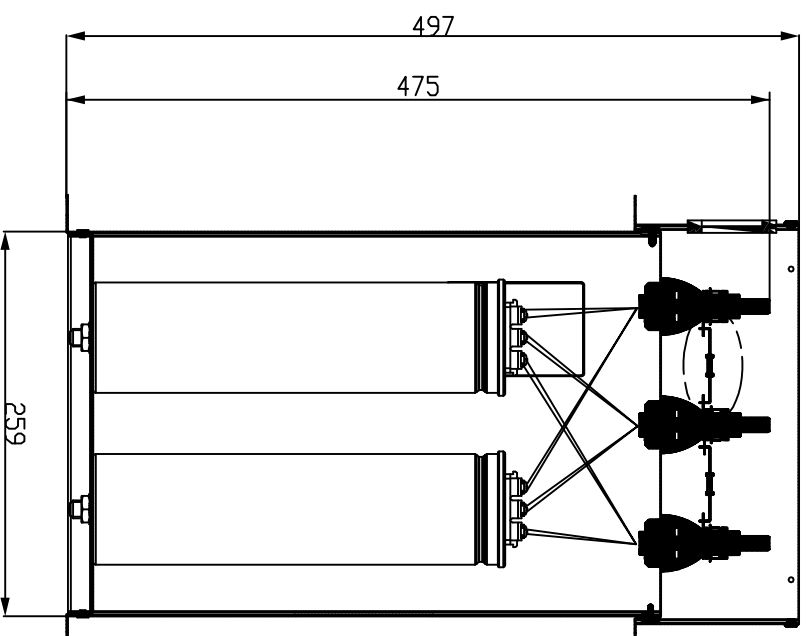
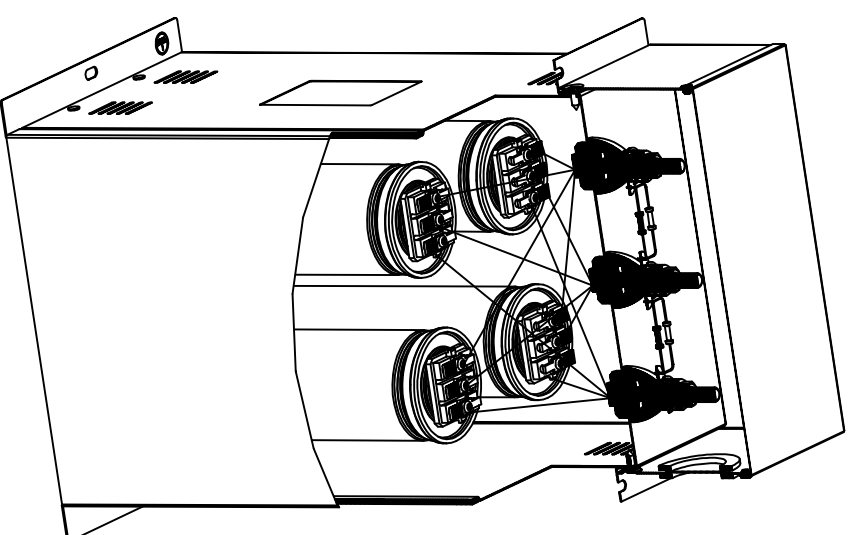


4 CELL DELTA CONNECTION



* For Cable size refer Symphony BDM and connection delta as per the above drawing

	Scale: 0.20	Tolerancing Standard : ISO 8015 / NFE12-352(N)	Units of measure : millimeter
--	-------------	--	-------------------------------

	GENERIC BDX 4 CELL M10 IB CASE 75X278	Number: B4C40M10IB3P7527802 Statel:	Revisor: 01 Sheet: 1/1
	GENERIC BDX 4 CELL M10 IB CASE 75X278		

The information is highly confidential and is the exclusive property of Schneider Electric Group. Copyright reserved. This drawing must not be used for any purpose other than that expressly permitted in writing. The drawing must be returned to the owners when the purpose has ceased.

Note :
(*) Resistor assembly for indicative purpose only.