

ISXRACK DISTRIBUTION PANEL

1. SYSTEM MAINS SUPPLY RATING

Mains voltage : 3x400V/230V at 50Hz
Maximum load : 40 kW
Short-circuit current I_{sc} : 10 kA

2. SYSTEM EARTHING

The system earthing is TN-S with L1,L2,L3,N,PE at both inlets and outlets

3. STANDARDS

The ISXRDP is built according to : IEC/EN60950

4. ENVIRONMENTS

The assembly is made for an ambient temperature of :  Max: +40°C

5. ENCLOSURE

The enclosure of the assembly is : IP20 and Form 1
The assembly material is : Steel with Surface coating

6. POSITIONING

The assembly is made for indoor installation in a 19" Netshelter

7. DIMENSIONS AND WEIGHTS

Height : 443 mm
Width : 483 mm
Depth : 767 mm
Weight : 36.5 kg

8. CABLE ENTRIES

Inlets:
 Top  Bottom

Outlets:
 Top  Bottom

9. CONNECTIONS

Power Circuits :
Input Output
  Component terminals
  Busbar

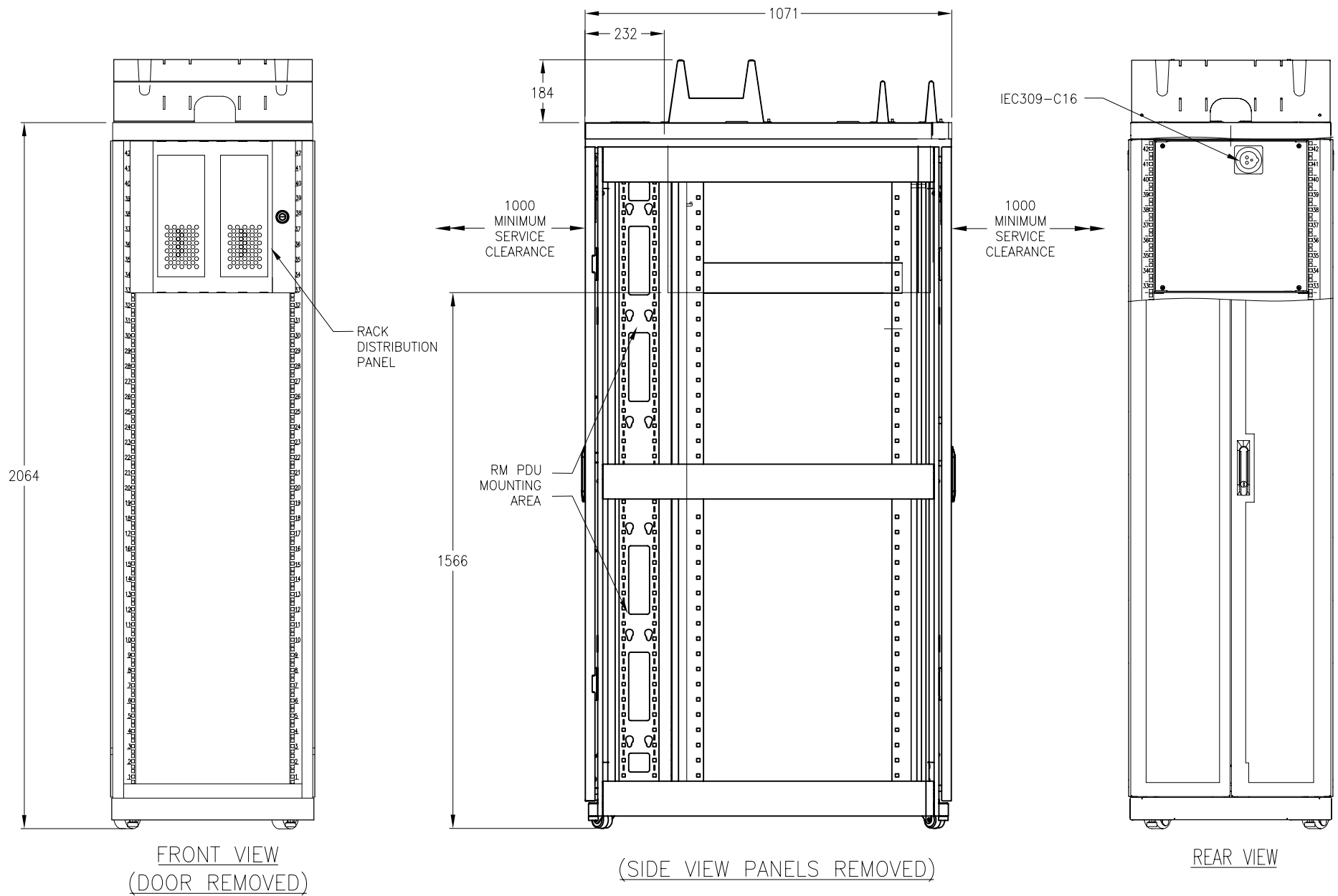
THIS DRAWING AND SPECIFICATIONS HEREIN ARE THE PROPERTY OF AMERICAN POWER CONVERSION AND SHALL NOT BE COPIED, REPRODUCED OR USED IN WHOLE OR IN PART, AS THE BASIS FOR THE MANUFACTURE OR SALE OF ITEMS WITHOUT WRITTEN PERMISSION FROM APC. THIS DRAWING IS BASED UPON LATEST AVAILABLE INFORMATION AND IS SUBJECT TO CHANGE WITHOUT NOTICE.

TITLE: ISX RACK DISTRIBUTION PANEL
400V
SPECIFICATION
PROJECT: SUBMITTAL DRAWING SHEET 1 OF 8

DWG NO: PDRDPH10U-R-SP
REV: 3
DRAWN: JAYAPRAKASH 10/04/04
CHECKED: B.H.NIELSEN 25/10/06
ENGINEER: C.LARSEN 25/10/06

PROJECTION

APC[®]
AMERICAN POWER CONVERSION
132 FAIRGROUNDS RD
WEST KINGSTON, RI 02892



NOTES:

1. ALL DIMENSIONS ARE IN MILLIMETERS.
2. CABLE ACCESS IS TOP OR BOTTOM
3. SERVICE ACCESS IS FRONT AND REAR
4. WEIGHT OF UNIT 272.73kg (RDP UNIT ALONE 36.5kg)
5. CABLE PARTITIONS AND CABLE TROUGH ARE NOT PART OF THE SKU.
6. INSTALLATION MUST COMPLY WITH NATIONAL AND LOCAL ELECTRICAL REGULATIONS.

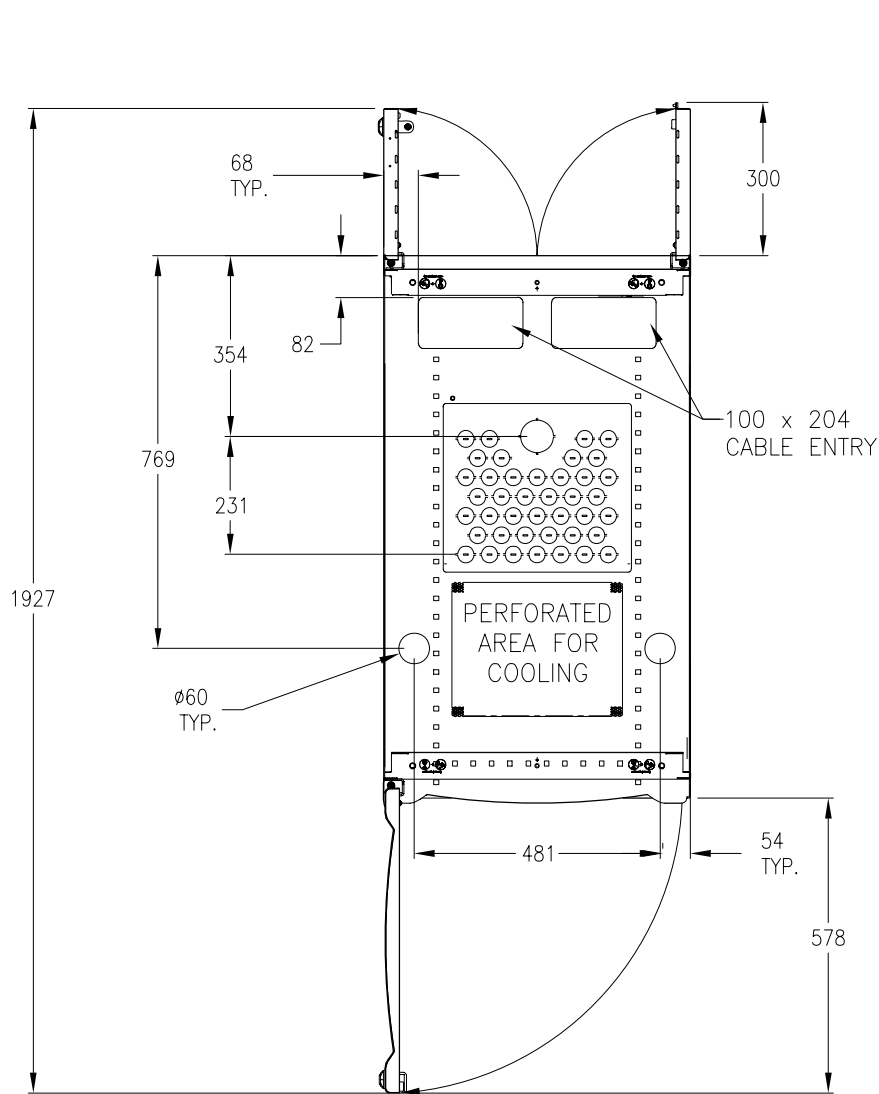
THIS DRAWING AND SPECIFICATIONS HEREIN ARE THE PROPERTY OF AMERICAN POWER CONVERSION AND SHALL NOT BE COPIED, REPRODUCED OR USED IN WHOLE OR IN PART, AS THE BASIS FOR THE MANUFACTURE OR SALE OF ITEMS WITHOUT WRITTEN PERMISSION FROM APC. THIS DRAWING IS BASED UPON LATEST AVAILABLE INFORMATION AND IS SUBJECT TO CHANGE WITHOUT NOTICE.

TITLE: ISX RACK DISTRIBUTION PANEL
400V
MAIN MECHANICAL-1
PROJECT: SUBMITTAL DRAWING SHEET 2 OF 8

DWG NO: PDRDPH10U-R-MM1
DRAWN: BALAMURUGAN 05/10/06
CHECKED: B.H.NIELSEN 25/10/06
ENGINEER: C.LARSEN 25/10/06

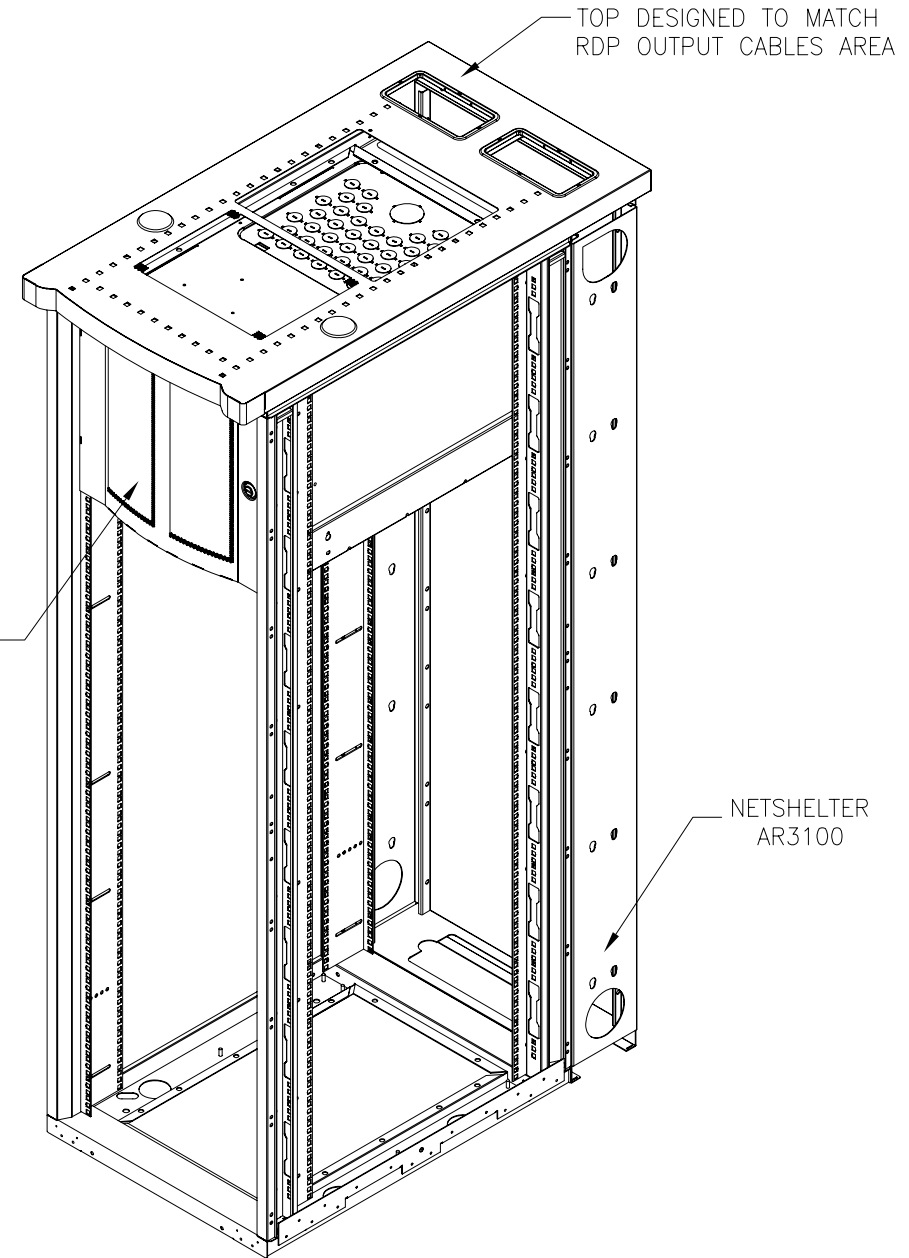
REV. -
PROJECTION

APC
AMERICAN POWER CONVERSION
132 FAIRGROUNDS RD
WEST KINGSTON, RI 02892



TOP VIEW

(TROUGH AND PARTITIONS REMOVED FOR CLARITY)



ISOMETRIC VIEW

(PANELS AND DOORS REMOVED FOR CLARITY)

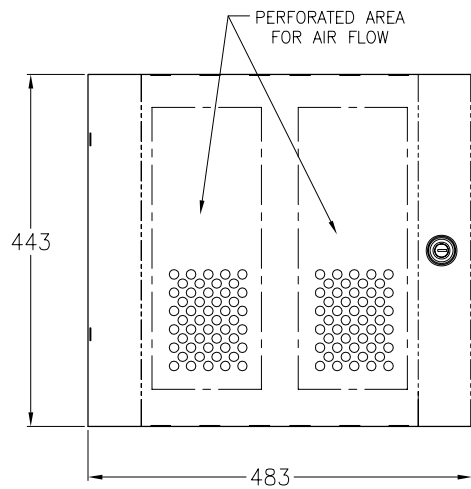
THIS DRAWING AND SPECIFICATIONS HEREIN ARE THE PROPERTY OF AMERICAN POWER CONVERSION AND SHALL NOT BE COPIED, REPRODUCED OR USED IN WHOLE OR IN PART, AS THE BASIS FOR THE MANUFACTURE OR SALE OF ITEMS WITHOUT WRITTEN PERMISSION FROM APC. THIS DRAWING IS BASED UPON LATEST AVAILABLE INFORMATION AND IS SUBJECT TO CHANGE WITHOUT NOTICE.

TITLE: ISX RACK DISTRIBUTION PANEL
400V
MECHANICAL-2
PROJECT: SUBMITTAL DRAWING SHEET 3 OF 8

DWG NO: PDRDP10U-R-MM2
DRAWN: BALAMURUGAN 05/10/06
CHECKED: B.H.NIELSEN 25/10/06
ENGINEER: C.LARSEN 25/10/06

REV. -
PROJECTION

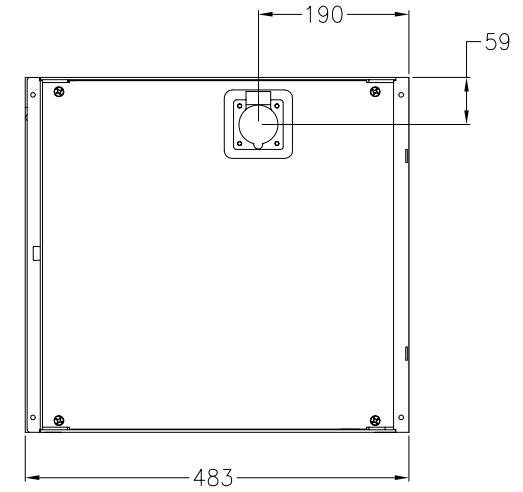




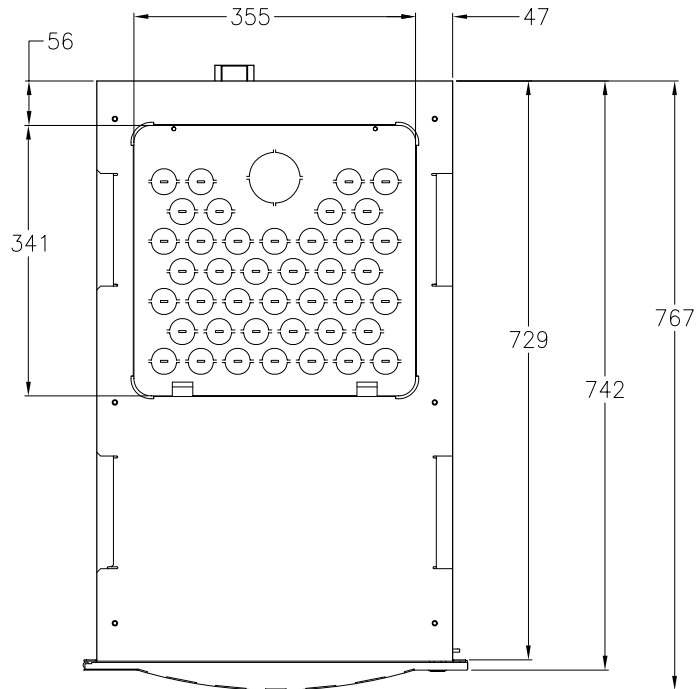
FRONT VIEW



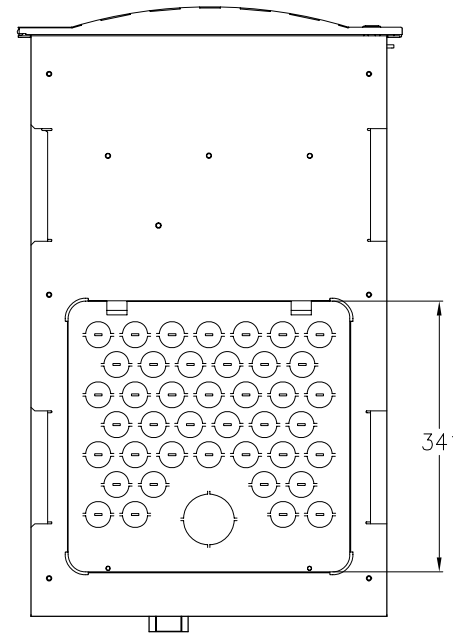
SIDE VIEW



REAR VIEW



TOP VIEW



BOTTOM VIEW

NOTES:

1. ALL DIMENSIONS ARE IN MILLIMETERS.
2. CABLE ACCESS IS TOP OR BOTTOM
3. SERVICE ACCESS IS FRONT AND REAR
4. WEIGHT OF RDP UNIT ALONE 36.5kg
5. INSTALLATION MUST COMPLY WITH NATIONAL AND LOCAL ELECTRICAL REGULATIONS.

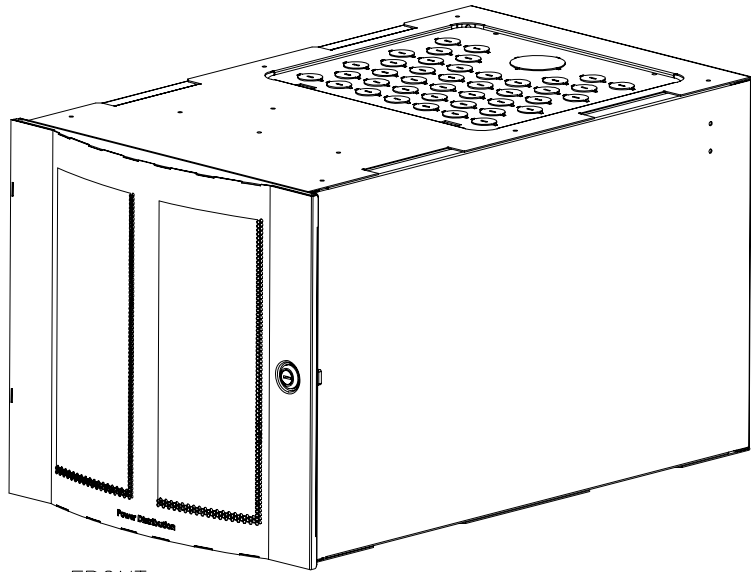
THIS DRAWING AND SPECIFICATIONS HEREIN ARE THE PROPERTY OF AMERICAN POWER CONVERSION AND SHALL NOT BE COPIED, REPRODUCED OR USED IN WHOLE OR IN PART, AS THE BASIS FOR THE MANUFACTURE OR SALE OF ITEMS WITHOUT WRITTEN PERMISSION FROM APC. THIS DRAWING IS BASED UPON LATEST AVAILABLE INFORMATION AND IS SUBJECT TO CHANGE WITHOUT NOTICE.

TITLE: ISX RACK DISTRIBUTION PANEL 400V MECHANICAL DETAILS-1	
PROJECT: SUBMITTAL DRAWING	SHEET 4 OF 8

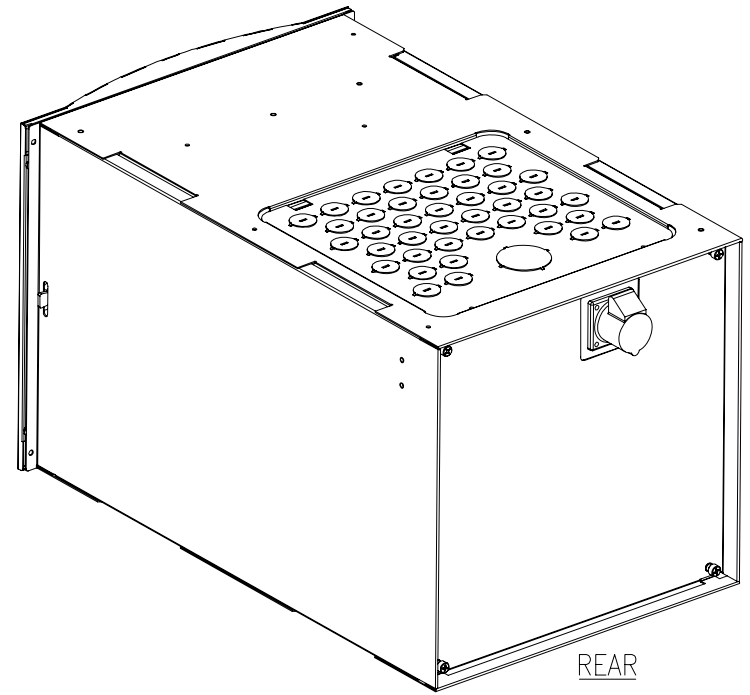
DWG NO: PDRDPH10U-R-MM3	REV. 3
DRAWN: JAYAPRAKASH	10/04/04
CHECKED: B.H.NIELSEN	25/10/06
ENGINEER: C.LARSEN	25/10/06

PROJECTION	
------------	--

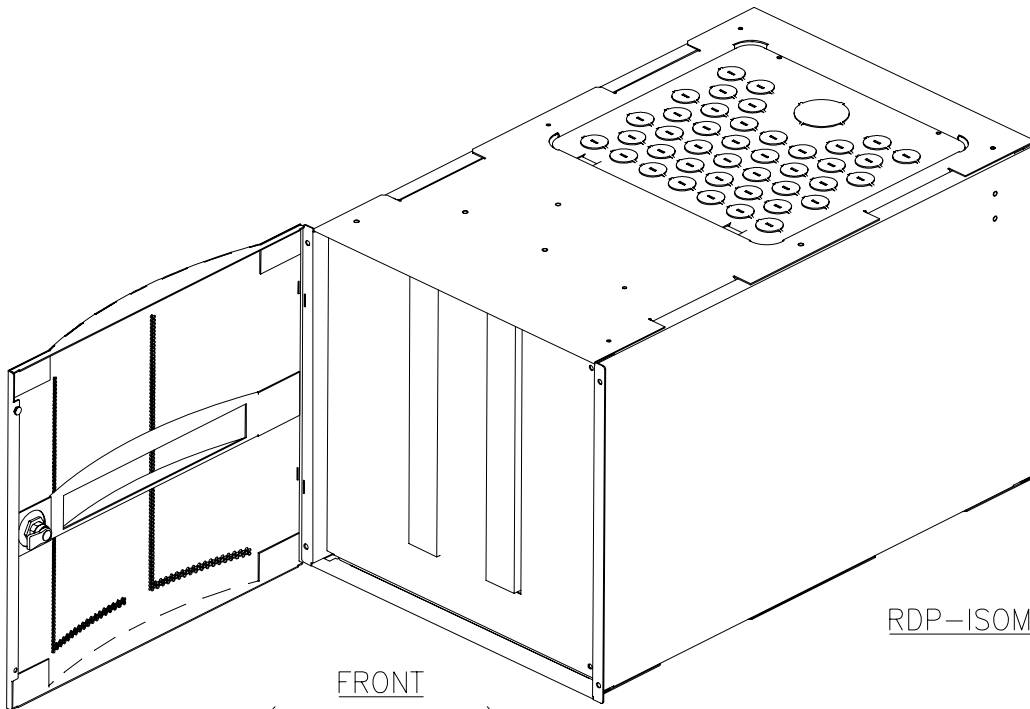




FRONT

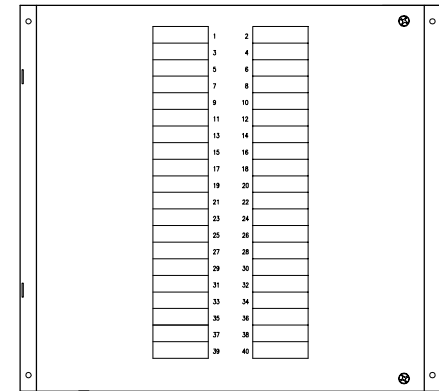


REAR



FRONT
(DOOR OPENED)

RDP-ISOMETRIC VIEWS



FRONT PANEL
DOOR REMOVED

THIS DRAWING AND SPECIFICATIONS HEREIN ARE THE PROPERTY OF AMERICAN POWER CONVERSION AND SHALL NOT BE COPIED, REPRODUCED OR USED IN WHOLE OR IN PART, AS THE BASIS FOR THE MANUFACTURE OR SALE OF ITEMS WITHOUT WRITTEN PERMISSION FROM APC. THIS DRAWING IS BASED UPON LATEST AVAILABLE INFORMATION AND IS SUBJECT TO CHANGE WITHOUT NOTICE.

TITLE: ISX RACK DISTRIBUTION PANEL
400V
MECHANICAL DETAILS-2

DWG NO: PDRDPH10U-R-MM4

REV. 3

DRAWN: JAYAPRAKASH 10/04/04

CHECKED: B.H.NIELSEN 25/10/06

ENGINEER: C.LARSEN 25/10/06

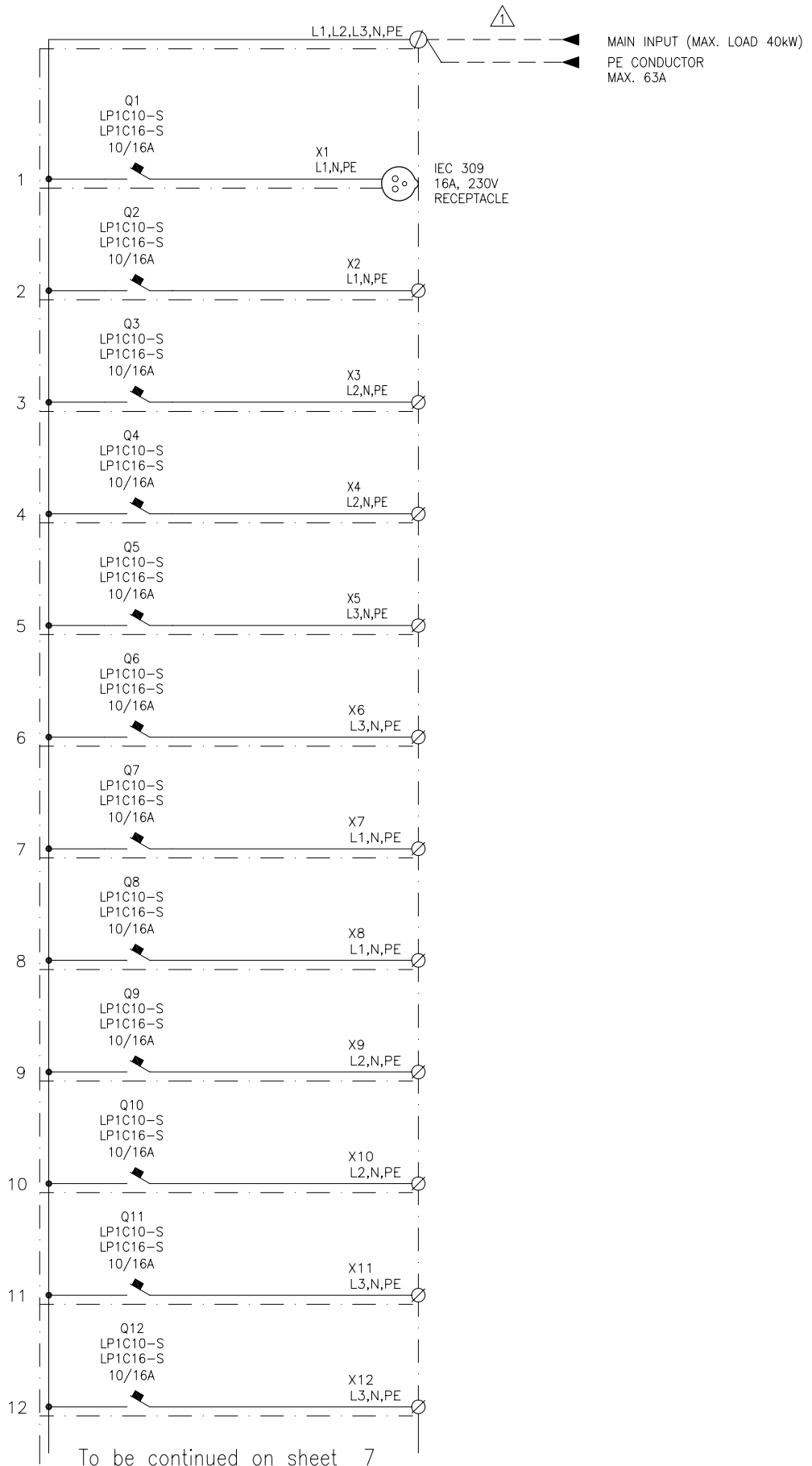
PROJECTION



APC
AMERICAN POWER CONVERSION
132 FAIRGROUNDS RD
WEST KINGSTON, RI 02892

PROJECT: SUBMITTAL DRAWING SHEET 5 OF 8

POWER CIRCUIT



NOTE:

1. HIDDEN (---) LINES OUTSIDE OF RDP UNIT, REPRESENT CABLING PROVIDED BY APC.
2. PLEASE REFER TO APC INSTALLATION GUIDE.
3. UTILITY SOURCES 3x400/230V, L1,L2,L3,N,PE.
4. INSTALLATION MUST COMPLY WITH NATIONAL AND LOCAL ELECTRICAL REGULATIONS.

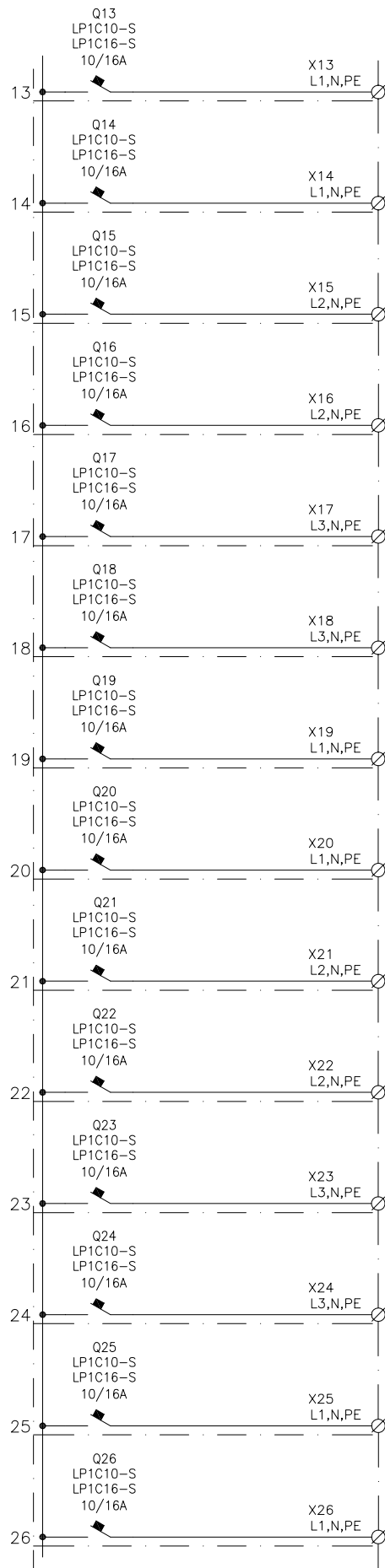
THIS DRAWING AND SPECIFICATIONS HEREIN ARE THE PROPERTY OF AMERICAN POWER CONVERSION AND SHALL NOT BE COPIED, REPRODUCED OR USED IN WHOLE OR IN PART, AS THE BASIS FOR THE MANUFACTURE OR SALE OF ITEMS WITHOUT WRITTEN PERMISSION FROM APC. THIS DRAWING IS BASED UPON LATEST AVAILABLE INFORMATION AND IS SUBJECT TO CHANGE WITHOUT NOTICE.

TITLE:	ISX RACK DISTRIBUTION PANEL 400V POWER CIRCUIT-1	
PROJECT:	SUBMITTAL DRAWING SHEET 6 OF 8	

DWG NO:	PDRDPH10U-R-ES1	
DRAWN:	JAYAPRAKASH	10/04/04
CHECKED:	B.H.NIELSEN	25/10/06
ENGINEER:	C.LARSEN	25/10/06

REV:	3
PROJECTION	





To be continued on sheet 8

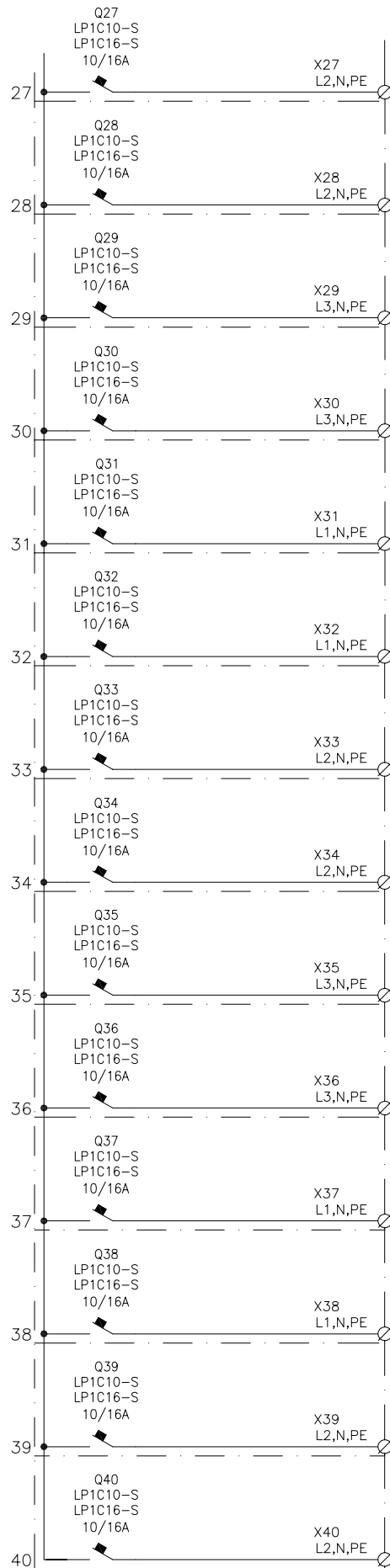
THIS DRAWING AND SPECIFICATIONS HEREIN ARE THE PROPERTY OF AMERICAN POWER CONVERSION AND SHALL NOT BE COPIED, REPRODUCED OR USED IN WHOLE OR IN PART, AS THE BASIS FOR THE MANUFACTURE OR SALE OF ITEMS WITHOUT WRITTEN PERMISSION FROM APC. THIS DRAWING IS BASED UPON LATEST AVAILABLE INFORMATION AND IS SUBJECT TO CHANGE WITHOUT NOTICE.

TITLE: ISX RACK DISTRIBUTION PANEL
400V
POWER CIRCUIT-2
PROJECT: SUBMITTAL DRAWING SHEET 7 OF 8

DWG NO: PDRDPH10U-R-ES2
DRAWN: JAYAPRAKASH
CHECKED: B.H.NIELSEN
ENGINEER: C.LARSEN

REV: 3
10/04/04
25/10/06
25/10/06
PROJECTION





THIS DRAWING AND SPECIFICATIONS HEREIN ARE THE PROPERTY OF AMERICAN POWER CONVERSION AND SHALL NOT BE COPIED, REPRODUCED OR USED IN WHOLE OR IN PART, AS THE BASIS FOR THE MANUFACTURE OR SALE OF ITEMS WITHOUT WRITTEN PERMISSION FROM APC. THIS DRAWING IS BASED UPON LATEST AVAILABLE INFORMATION AND IS SUBJECT TO CHANGE WITHOUT NOTICE.

TITLE: ISX RACK DISTRIBUTION PANEL
400V
POWER CIRCUIT-3
PROJECT: SUBMITTAL DRAWING SHEET 8 OF 8

DWG NO: PDRDPH10U-R-ES3
DRAWN: JAYAPRAKASH
CHECKED: B.H.NIELSEN
ENGINEER: C.LARSEN

REV: 3
10/04/04
25/10/06
25/10/06

