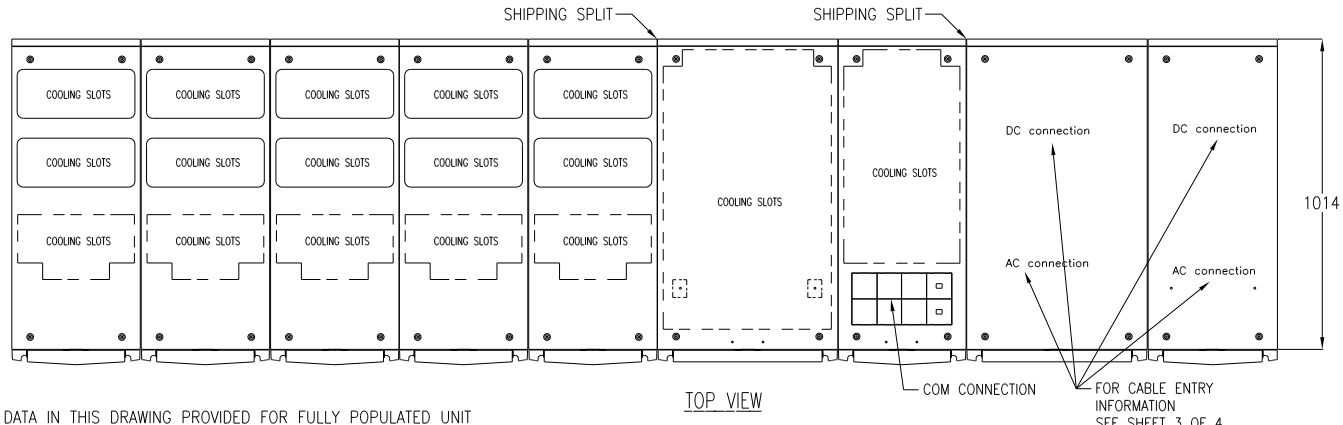


FRONT VIEW

SIDE VIEW



TOP VIEW

NOTES:

- ALL DATA IN THIS DRAWING PROVIDED FOR FULLY POPULATED UNIT
- PLEASE REFER TO INSTALLATION GUIDE
- ALL DIMENSIONS ARE IN MILLIMETERS
- WEIGHT
 

	WITH PMs	WITHOUT PMs
INVERTER SECTION	3990kg	3015kg
IN/OUT SECTION	480kg	480kg
SSW	610kg	610kg
TOTAL WEIGHT	5080kg	4105kg
- CABLE ENTRY IS TOP OR BOTTOM OF UNIT.
- INSTALLATION MUST COMPLY WITH NATIONAL AND LOCAL ELECTRICAL REGULATIONS.

THIS DRAWING AND SPECIFICATIONS HEREIN ARE THE PROPERTY OF AMERICAN POWER CONVERSION AND SHALL NOT BE COPIED, REPRODUCED OR USED IN WHOLE OR IN PART, AS THE BASIS FOR THE MANUFACTURE OR SALE OF ITEMS WITHOUT WRITTEN PERMISSION FROM APC. THIS DRAWING IS BASED UPON LATEST AVAILABLE INFORMATION AND IS SUBJECT TO CHANGE WITHOUT NOTICE.

TITLE: SYMMETRA MW UPS  
400V, 3PH, 1000kW  
CONFIGURATION-I, LEFT HAND  
MAIN MECHANICAL  
PROJECT: SUBMITTAL DRAWING SHEET 1 OF 9

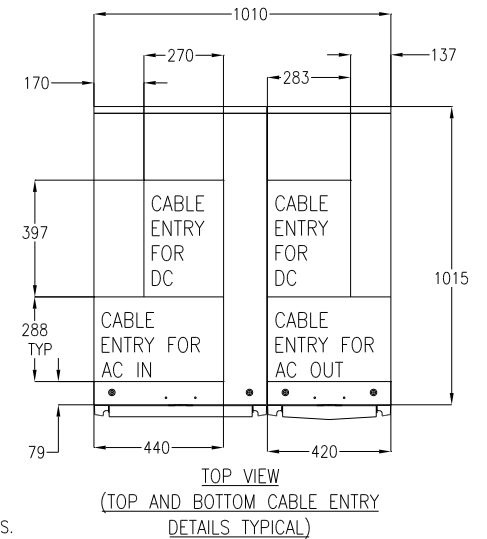
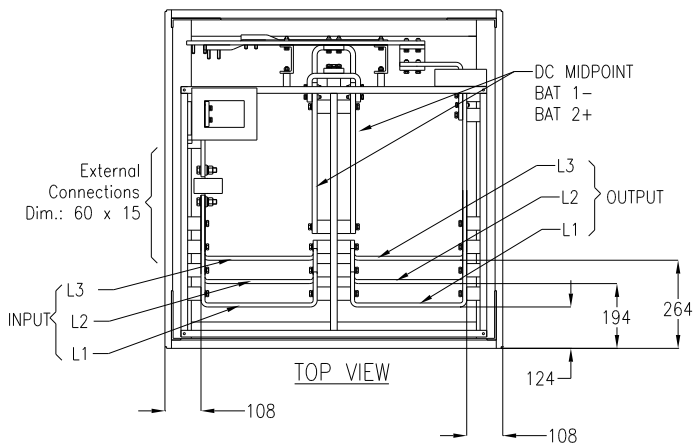
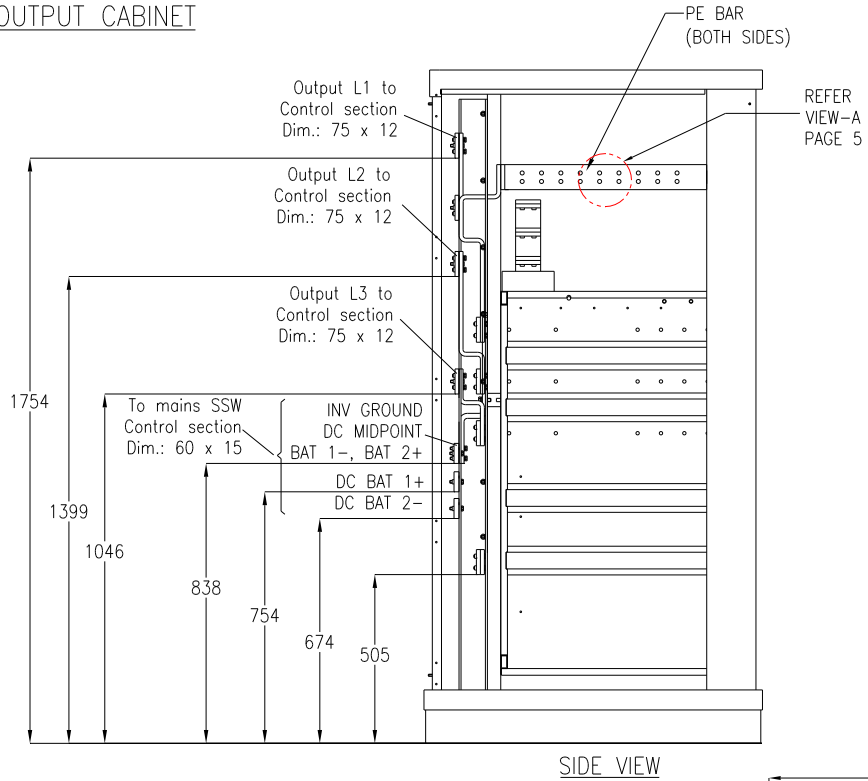
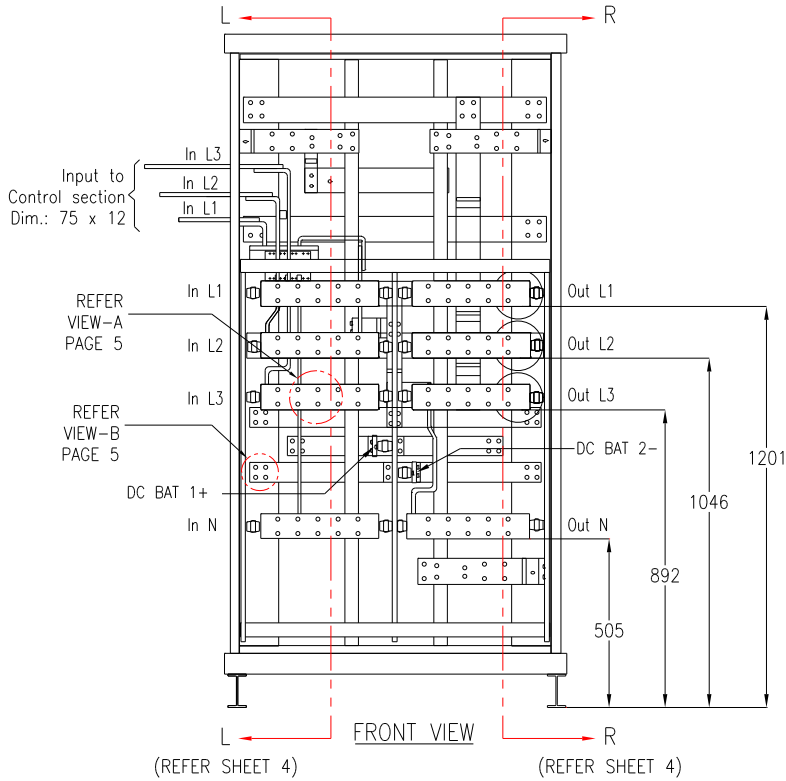
DWG NO: SYMF1000KHL-MM1  
DRAWN: C.KRISHNA 26/10/06  
CHECKED: B.H.NIELSEN/S.WAGH 26/10/06  
ENGINEER: C.LARSEN/S.WAGH 26/10/06

REV 3  
PROJECTION





# INPUT/OUTPUT CABINET



## NOTES:

1. ALL DATA IN THIS DRAWING PROVIDED FOR FULLY POPULATED UNIT
2. PLEASE REFER TO INSTALLATION GUIDE
3. CABLE ENTRY IS TOP OR BOTTOM OF UNIT.
4. SOME STRUCTURAL DETAILS AND MOUNTING BRACKETS HAVE BEEN OMITTED FOR CLARITY.
5. ALL DIMENSIONS ARE IN MILLIMETERS
6. INSTALLATION MUST COMPLY WITH NATIONAL AND LOCAL ELECTRICAL REGULATIONS.

THIS DRAWING AND SPECIFICATIONS HEREIN ARE THE PROPERTY OF AMERICAN POWER CONVERSION AND SHALL NOT BE COPIED, REPRODUCED OR USED IN WHOLE OR IN PART, AS THE BASIS FOR THE MANUFACTURE OR SALE OF ITEMS WITHOUT WRITTEN PERMISSION FROM APC. THIS DRAWING IS BASED UPON LATEST AVAILABLE INFORMATION AND IS SUBJECT TO CHANGE WITHOUT NOTICE.

TITLE: SYMMETRA MW UPS  
400V, 3PH, 1000kW  
CONFIGURATION-I, LEFT HAND  
INTERNAL VIEWS-INPUT OUTPUT CABINET

PROJECT: SUBMITTAL DRAWING SHEET 3 OF 9

DWG NO: SYMF1000KHL-ME1  
REV 2

DRAWN: C.KRISHNA  
26/10/06

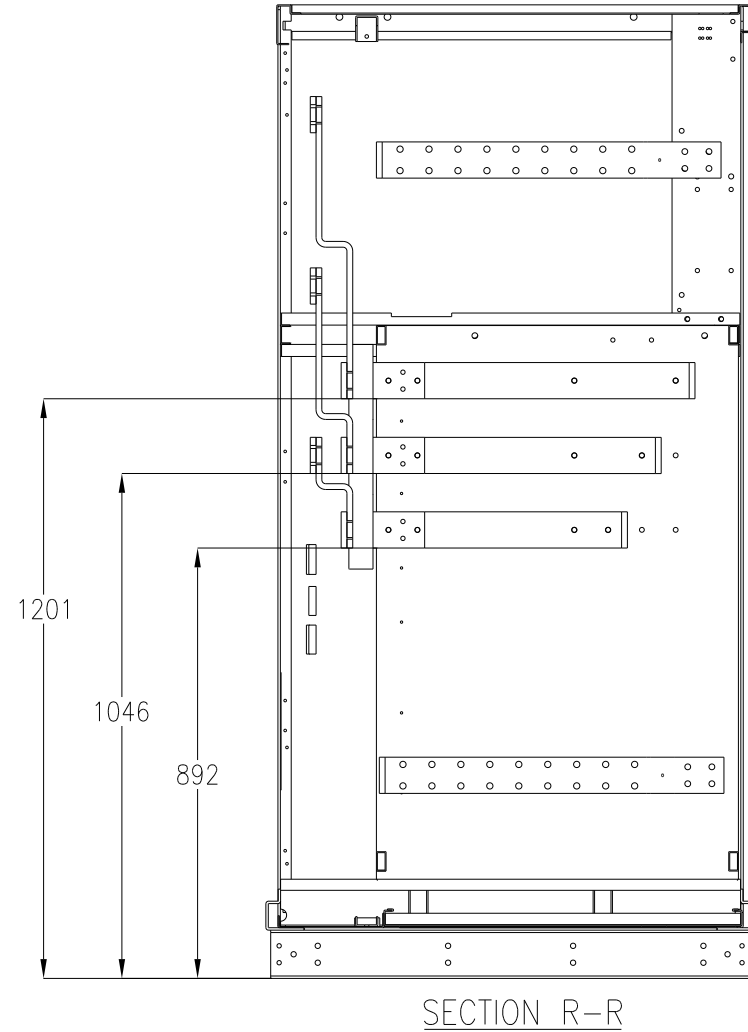
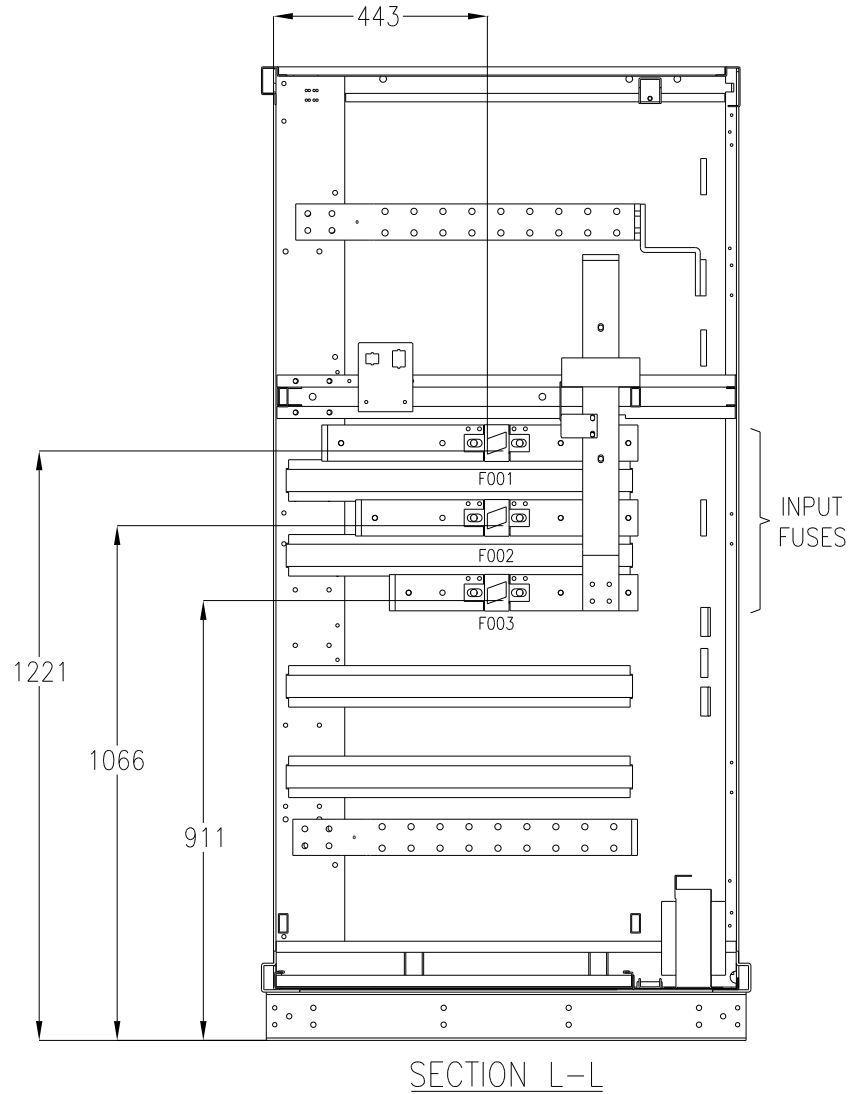
CHECKED: B.H.NIELSEN/S.WAGH  
26/10/06

ENGINEER: C.LARSEN/S.WAGH  
26/10/06

PROJECTION

**APC**  
AMERICAN POWER CONVERSION  
132 FABRICRINGS RD  
WEST KINGSTON, RI 02892

# INPUT/OUTPUT CABINET



**NOTES:**

1. ALL DATA IN THIS DRAWING PROVIDED FOR FULLY POPULATED UNIT
2. PLEASE REFER TO APC PRODUCT MANUAL.
3. ALL DIMENSIONS ARE IN MILLIMETERS
4. INPUT FUSE RATING: 2100A (SEMICONDUCTOR TYPE)
5. INSTALLATION MUST COMPLY WITH NATIONAL AND LOCAL ELECTRICAL REGULATIONS.

THIS DRAWING AND SPECIFICATIONS HEREIN ARE THE PROPERTY OF AMERICAN POWER CONVERSION AND SHALL NOT BE COPIED, REPRODUCED OR USED IN WHOLE OR IN PART, AS THE BASIS FOR THE MANUFACTURE OR SALE OF ITEMS WITHOUT WRITTEN PERMISSION FROM APC. THIS DRAWING IS BASED UPON LATEST AVAILABLE INFORMATION AND IS SUBJECT TO CHANGE WITHOUT NOTICE.

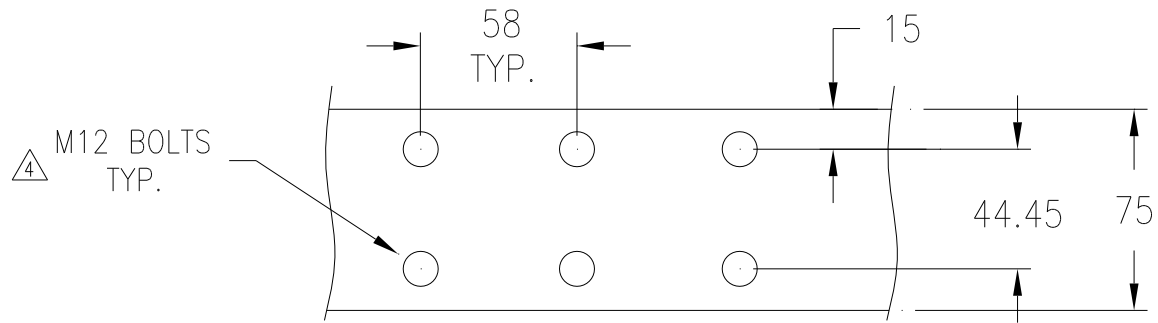
TITLE: SYMMETRA MW UPS  
400V, 3PH, 1000kW  
CONFIGURATION-I, LEFT HAND  
INTERNAL SECTIONS-INPUT OUTPUT CABINET

DWG NO: SYMF1000KHL-ME2  
DRAWN: C.KRISHNA  
CHECKED: B.H.NIELSEN/S.WACH  
ENGINEER: C.LARSEN/S.WACH

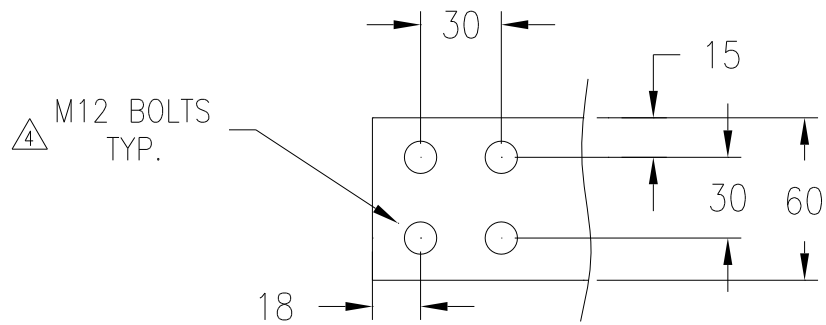
REV: 2  
26/10/06  
26/10/06  
26/10/06

PROJECTION  
⊕





VIEW A (ENLARGED)  
INPUT/OUTPUT, PE BUS DETAIL



VIEW B (ENLARGED)  
DC BUS DETAIL

NOTES:

1. ALL DATA IN THIS DRAWING PROVIDED FOR FULLY POPULATED UNIT
2. PLEASE REFER TO APC PRODUCT MANUAL.
3. ALL DIMENSIONS ARE IN MILLIMETERS
- △ 4. BOLTS AND NUTS ARE PROVIDED BY APC
5. INSTALLATION MUST COMPLY WITH NATIONAL AND LOCAL ELECTRICAL REGULATIONS.

THIS DRAWING AND SPECIFICATIONS HEREIN ARE THE PROPERTY OF AMERICAN POWER CONVERSION AND SHALL NOT BE COPIED, REPRODUCED OR USED IN WHOLE OR IN PART, AS THE BASIS FOR THE MANUFACTURE OR SALE OF ITEMS WITHOUT WRITTEN PERMISSION FROM APC. THIS DRAWING IS BASED UPON LATEST AVAILABLE INFORMATION AND IS SUBJECT TO CHANGE WITHOUT NOTICE.

TITLE: SYMMETRA MW UPS  
400V, 3PH, 1000kW  
CONFIGURATION-I, LEFT HAND  
BUS DETAILS

DWG NO: SYMF1000KHL-ME3

DRAWN: C.KRISHNA 26/10/06

CHECKED: B.H.NIELSEN/S.WAGH 26/10/06

ENGINEER: C.LARSEN/S.WAGH 26/10/06

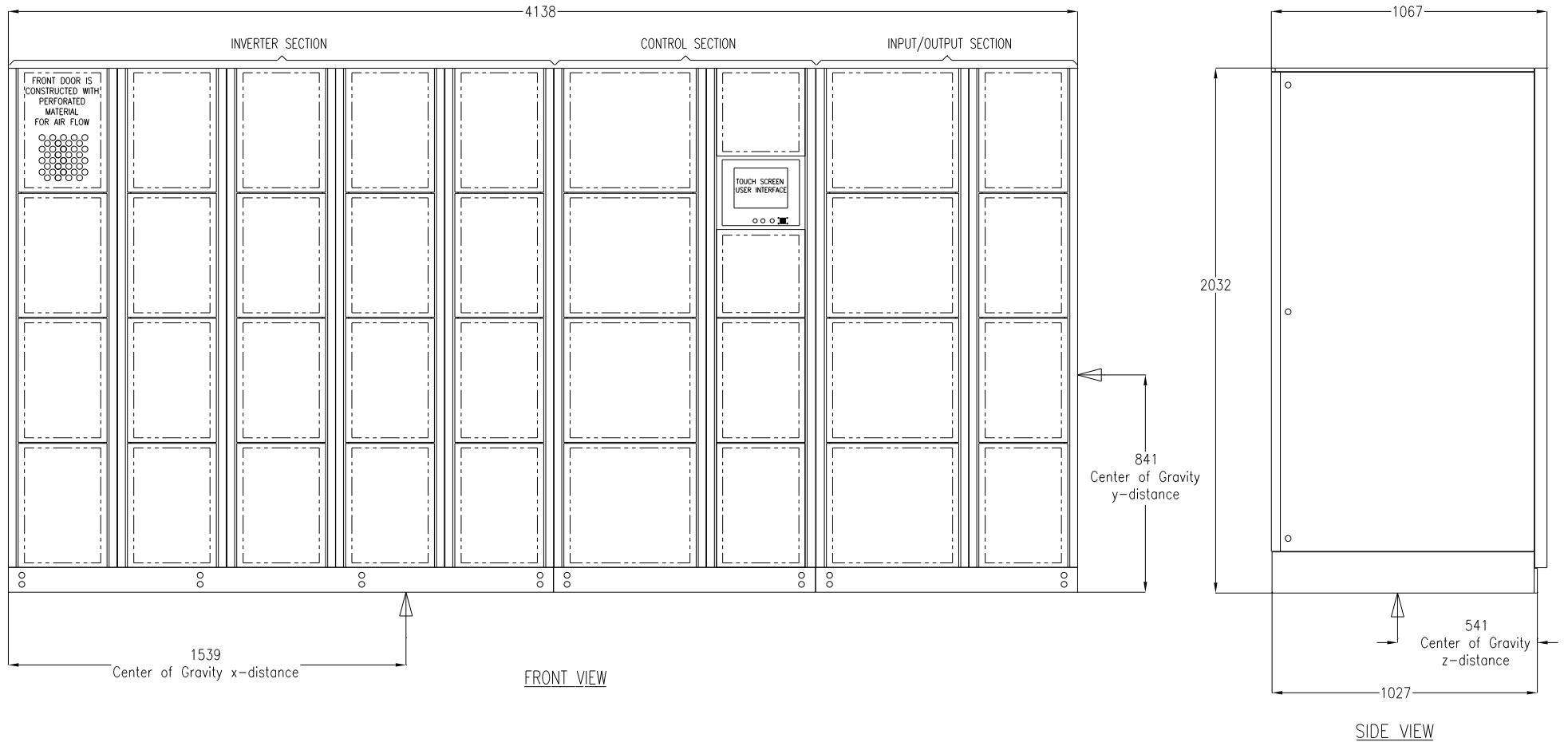
REV: -

PROJECTION



PROJECT: SUBMITTAL DRAWING SHEET 5 OF 9

# CENTER OF GRAVITY FOR ASSEMBLY

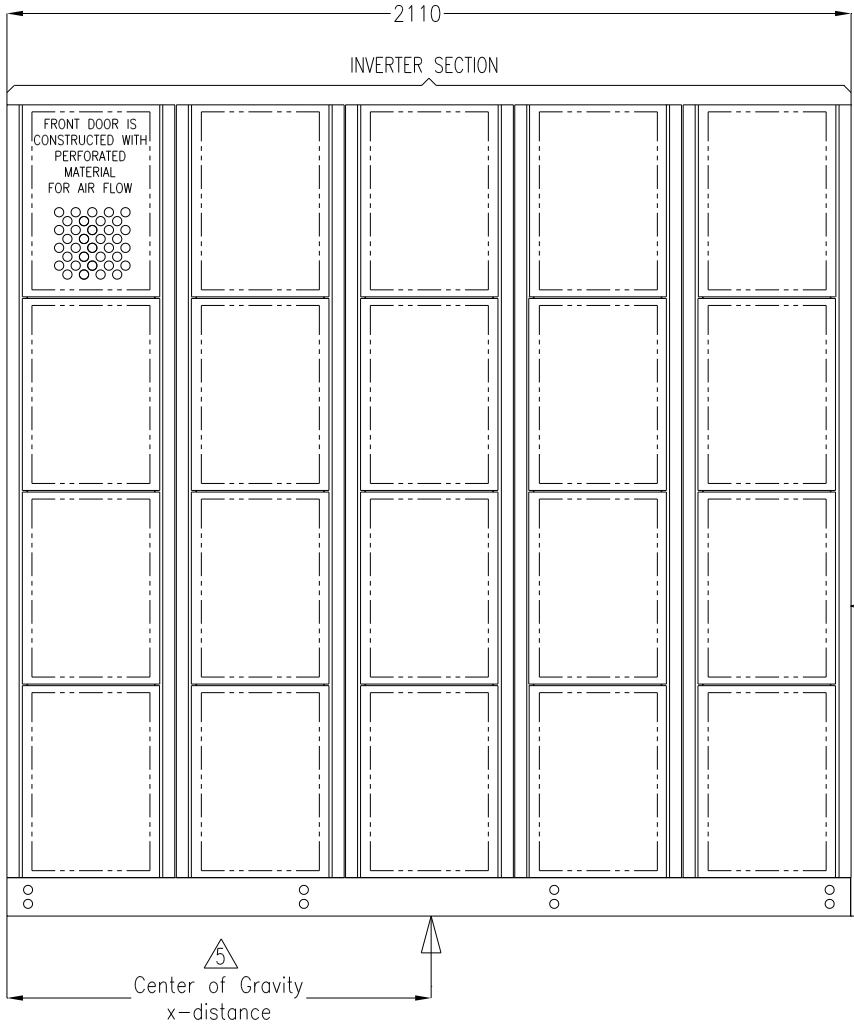


**NOTES:**

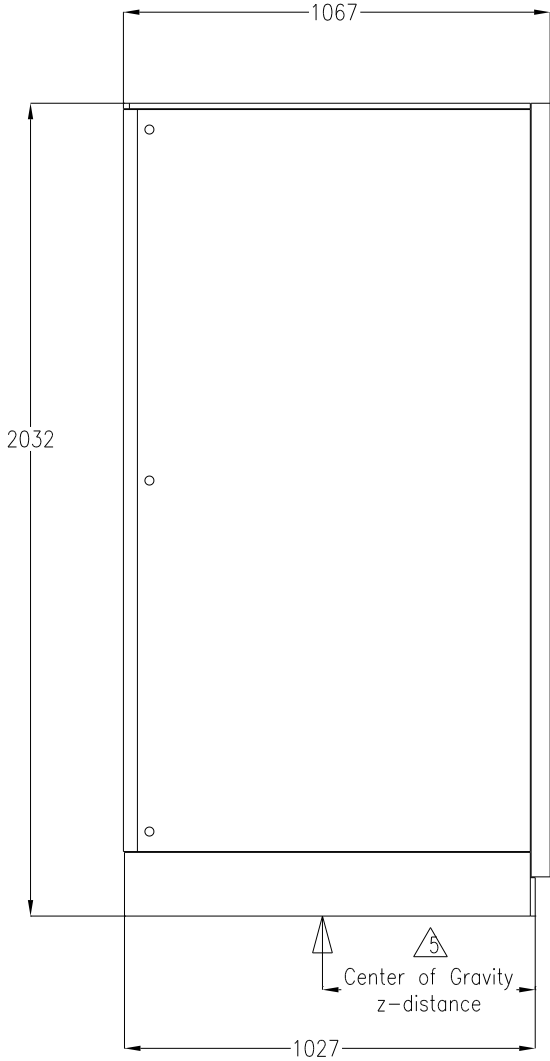
1. ALL DATA IN THIS DRAWING PROVIDED FOR FULLY POPULATED UNIT
2. PLEASE REFER TO INSTALLATION GUIDE.
3. ALL DIMENSIONS ARE IN MILLIMETERS
4. ALL VALUES ARE FOR FULLY POPULATED FRAME.
5. THE UPS IS NEVER TO BE TRANSPORTED AS FULL SYSTEM.
6. INSTALLATION MUST COMPLY WITH NATIONAL AND LOCAL ELECTRICAL REGULATIONS.

THIS DRAWING AND SPECIFICATIONS HEREIN ARE THE PROPERTY OF AMERICAN POWER CONVERSION AND SHALL NOT BE COPIED, REPRODUCED OR USED IN WHOLE OR IN PART, AS THE BASIS FOR THE MANUFACTURE OR SALE OF ITEMS WITHOUT WRITTEN PERMISSION FROM APC. THIS DRAWING IS BASED UPON LATEST AVAILABLE INFORMATION AND IS SUBJECT TO CHANGE WITHOUT NOTICE.		<b>TITLE:</b> SYMMETRA MW UPS CONFIGURATION-I, LEFT HAND 400V, 3PH, 1000kW COG-UPS ASSEMBLY		<b>DWG NO:</b> SYMF1000KHL-CG1 <b>REV.</b> 4		 <small>AMERICAN POWER CONVERSION 132 FAIRGROUNDS RD WEST KINGSTON, RI 02892</small>
		<b>DRAWN:</b> C.KRISHNA 26/10/06		<b>PROJECTION</b> 		
		<b>CHECKED:</b> B.H.NIELSEN/S.WAGH 26/10/06		<b>ENGINEER:</b> C.LARSEN/S.WAGH 26/10/06		
<b>PROJECT:</b> SUBMITTAL DRAWINGS		<b>SHEET</b> 6 OF 9				

CENTER OF GRAVITY  
FOR INVERTER SECTION



FRONT VIEW



SIDE VIEW

NOTES:

1. ALL DATA IN THIS DRAWING PROVIDED FOR FULLY POPULATED UNIT
2. PLEASE REFER TO INSTALLATION GUIDE
3. ALL DIMENSIONS ARE IN MILLIMETERS
4. INSTALLATION MUST COMPLY WITH NATIONAL AND LOCAL ELECTRICAL REGULATIONS.
5. THE INVERTER SECTION IS NEVER TO BE TRANSPORTED FULLY POPULATED.

△ 6.

CENTER OF GRAVITY	INVERTER SECTION	
	FULLY POPULATED	UNPOPULATED
X DISTANCE	1069 mm	1048 mm
Y DISTANCE	775 mm	615 mm
Z DISTANCE	532 mm	565 mm

THIS DRAWING AND SPECIFICATIONS HEREIN ARE THE PROPERTY OF AMERICAN POWER CONVERSION AND SHALL NOT BE COPIED, REPRODUCED OR USED IN WHOLE OR IN PART, AS THE BASIS FOR THE MANUFACTURE OR SALE OF ITEMS WITHOUT WRITTEN PERMISSION FROM APC. THIS DRAWING IS BASED UPON LATEST AVAILABLE INFORMATION AND IS SUBJECT TO CHANGE WITHOUT NOTICE.

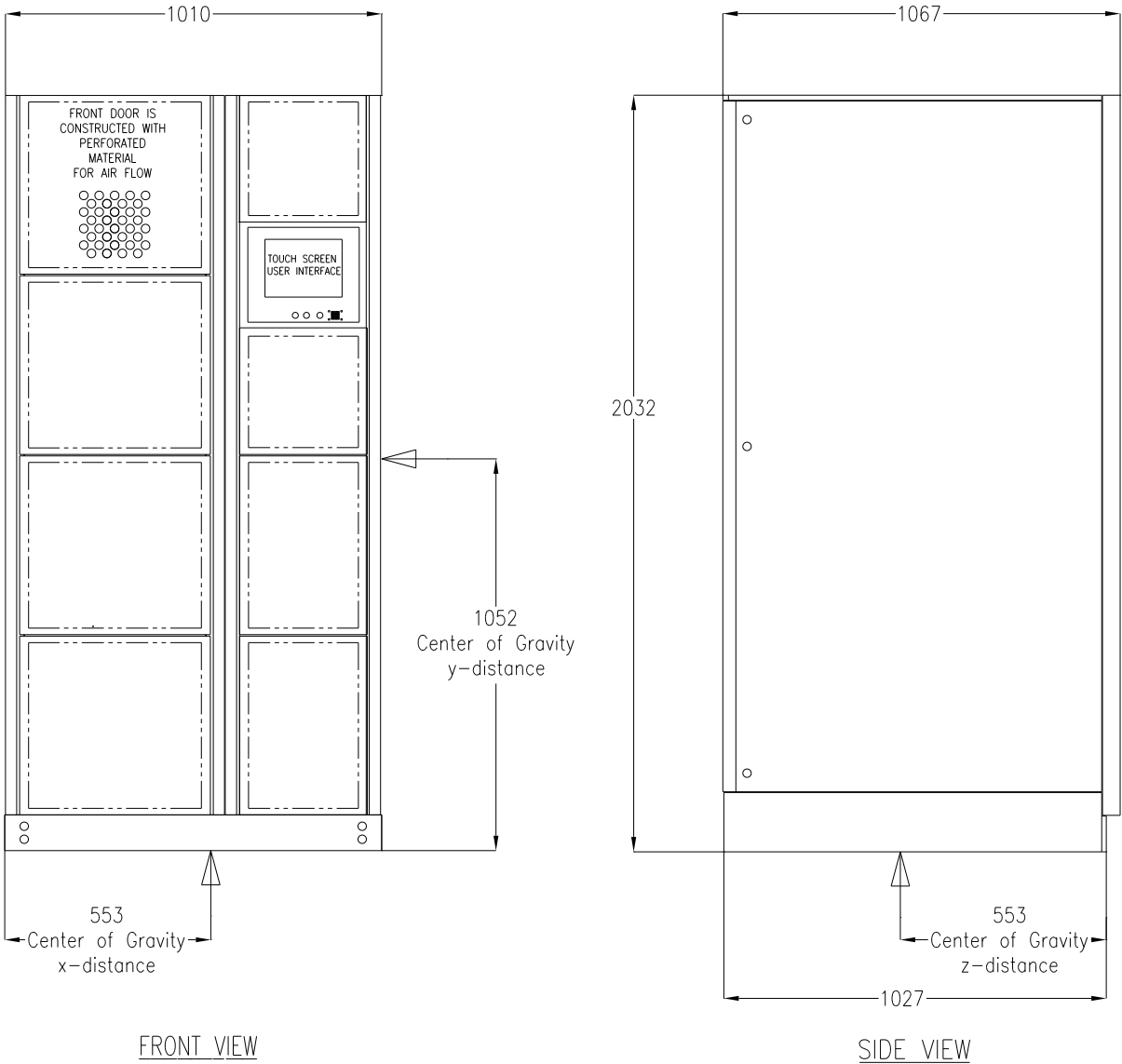
TITLE: SYMMETRA MW UPS  
CONFIGURATION-I, LEFT HAND  
400V, 3PH, 1000kW  
COG-INVERTER SECTION

DWG NO:	SYMF1000KHL-CG2	REV.	4
DRAWN:	C.KRISHNA	26/10/06	
CHECKED:	B.H.NIELSEN/S.WAGH	26/10/06	
ENGINEER:	C.LARSEN/S.WAGH	26/10/06	

PROJECTION



CENTER OF GRAVITY  
FOR CONTROL SECTION

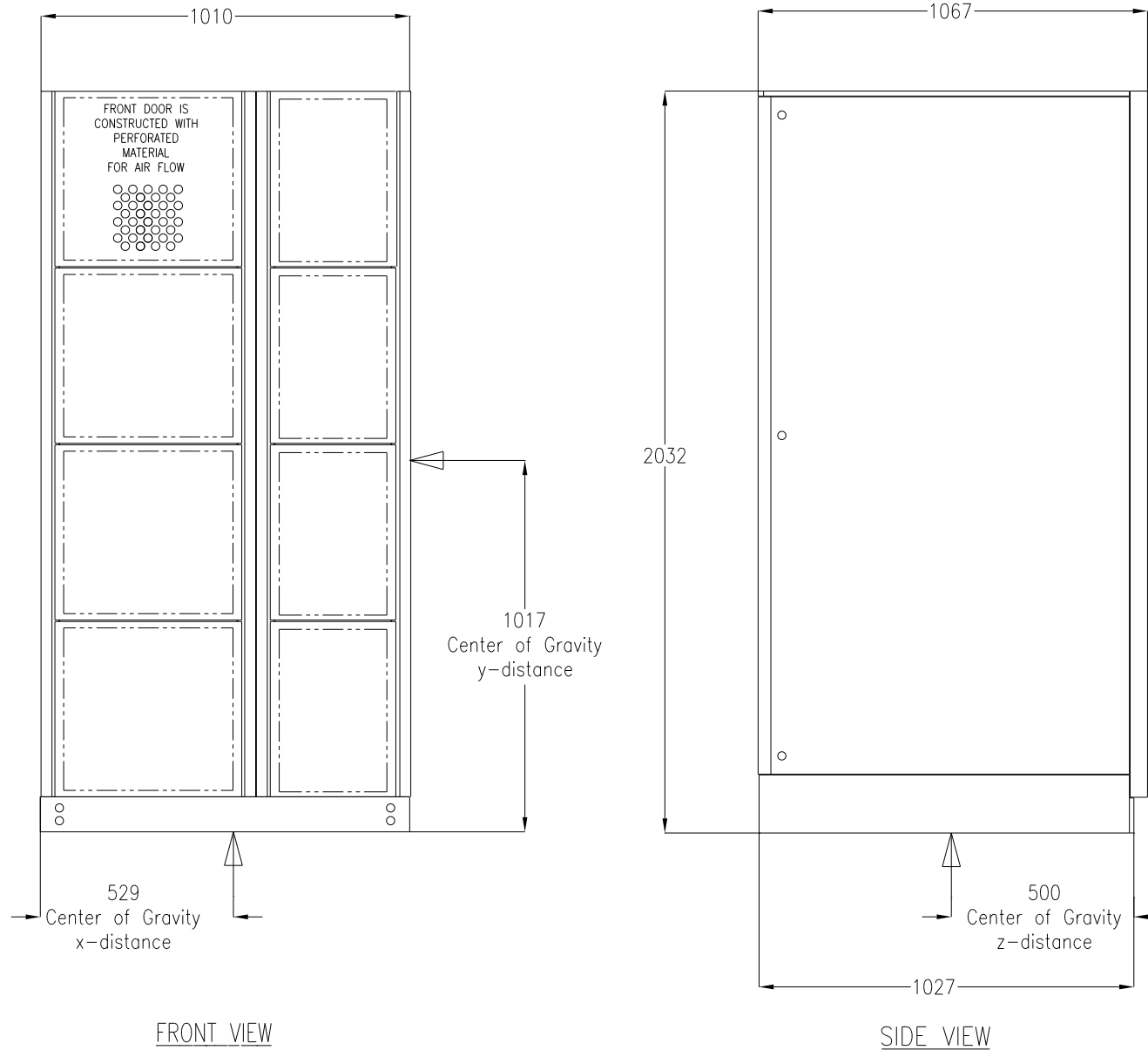


- NOTES:
1. ALL DATA IN THIS DRAWING PROVIDED FOR FULLY POPULATED UNIT
  2. PLEASE REFER TO INSTALLATION GUIDE
  3. ALL DIMENSIONS ARE IN MILLIMETERS
  4. INSTALLATION MUST COMPLY WITH NATIONAL AND LOCAL ELECTRICAL REGULATIONS.

<small>THIS DRAWING AND SPECIFICATIONS HEREIN ARE THE PROPERTY OF AMERICAN POWER CONVERSION AND SHALL NOT BE COPIED, REPRODUCED OR USED IN WHOLE OR IN PART, AS THE BASIS FOR THE MANUFACTURE OR SALE OF ITEMS WITHOUT WRITTEN PERMISSION FROM APC. THIS DRAWING IS BASED UPON LATEST AVAILABLE INFORMATION AND IS SUBJECT TO CHANGE WITHOUT NOTICE.</small>	<b>TITLE:</b> SYMMETRA MW UPS CONFIGURATION-I, LEFT HAND 400V, 3PH, 1000kW COG-CONTROL SECTION		<b>DWG NO:</b> SYMF1000KHL-CG3		<b>REV.</b> 4	
	<b>PROJECT:</b> SUBMITTAL DRAWINGS		<b>ENGINEER:</b> C.LARSEN/S.WACH		<b>PROJECTION</b>	
<b>SHEET</b> 8 OF 9		<b>CHECKED:</b> B.H.NIELSEN/S.WACH		<b>DATE:</b> 26/10/06		 <small>AMERICAN POWER CONVERSION 132 FAIRGROUNDS RD WEST KINGSTON, RI 02892</small>



# CENTER OF GRAVITY FOR INPUT/OUTPUT CABINET



**NOTES:**

1. ALL DATA IN THIS DRAWING PROVIDED FOR FULLY POPULATED UNIT
2. PLEASE REFER TO INSTALLATION GUIDE
3. ALL DIMENSIONS ARE IN MILLIMETERS.
4. INSTALLATION MUST COMPLY WITH NATIONAL AND LOCAL ELECTRICAL REGULATIONS.

THIS DRAWING AND SPECIFICATIONS HEREIN ARE THE PROPERTY OF AMERICAN POWER CONVERSION AND SHALL NOT BE COPIED, REPRODUCED OR USED IN WHOLE OR IN PART, AS THE BASIS FOR THE MANUFACTURE OR SALE OF ITEMS WITHOUT WRITTEN PERMISSION FROM APC. THIS DRAWING IS BASED UPON LATEST AVAILABLE INFORMATION AND IS SUBJECT TO CHANGE WITHOUT NOTICE.		TITLE: SYMMETRA MW UPS CONFIGURATION-I, LEFT HAND 400V, 3PH, 1000kW COG-INPUT/OUTPUT SECTION		DWG NO: SYMF1000KHL-CG4		REV. 4	
PROJECT: SUBMITTAL DRAWINGS		SHEET 9 OF 9		DRAWN: C.KRISHNA 26/10/06		CHECKED: B.H.NIELSEN/S.WAGH 26/10/06	
				ENGINEER: C.LARSEN/S.WAGH 26/10/06		PROJECTION	

