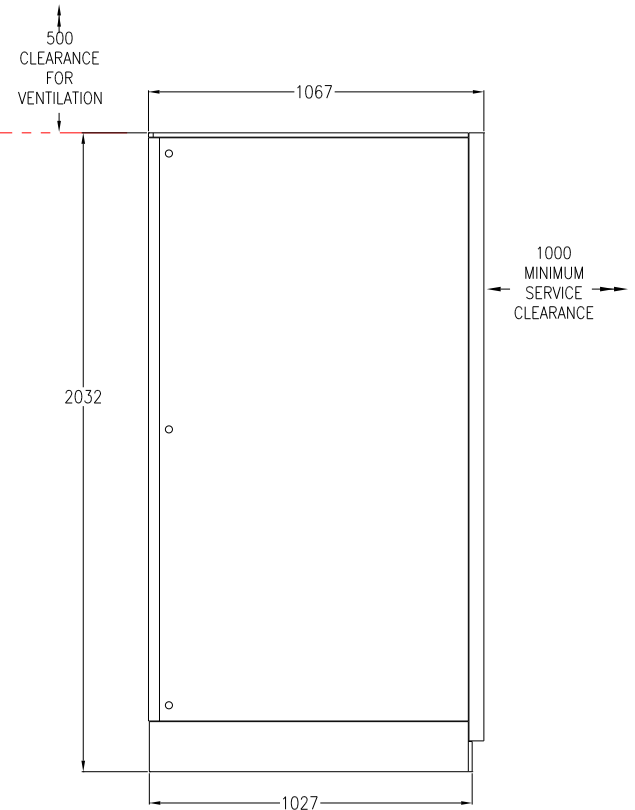
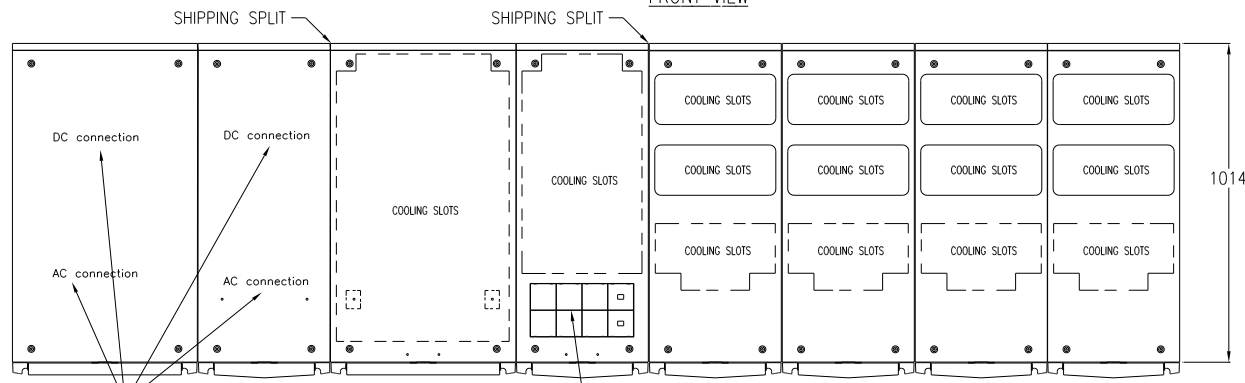


FRONT VIEW



SIDE VIEW



TOP VIEW

NOTES:

1. ALL DATA IN THIS DRAWING PROVIDED FOR FULLY POPULATED UNIT
2. PLEASE REFER TO INSTALLATION GUIDE
3. ALL DIMENSIONS ARE IN MILLIMETERS
4. WEIGHT

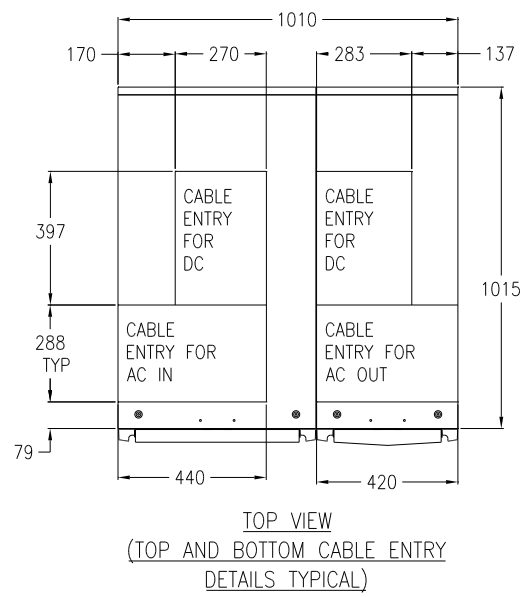
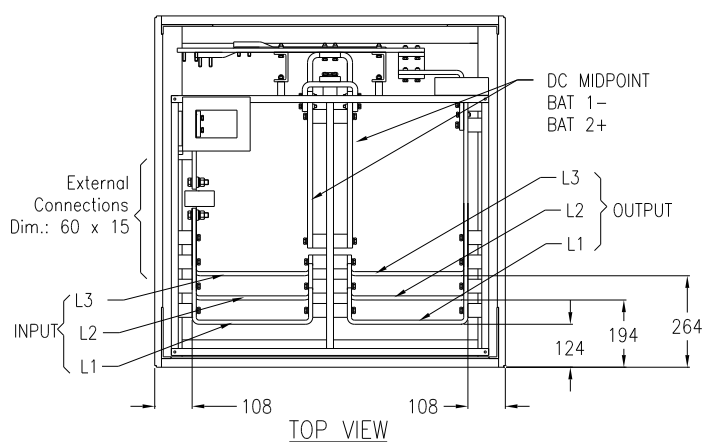
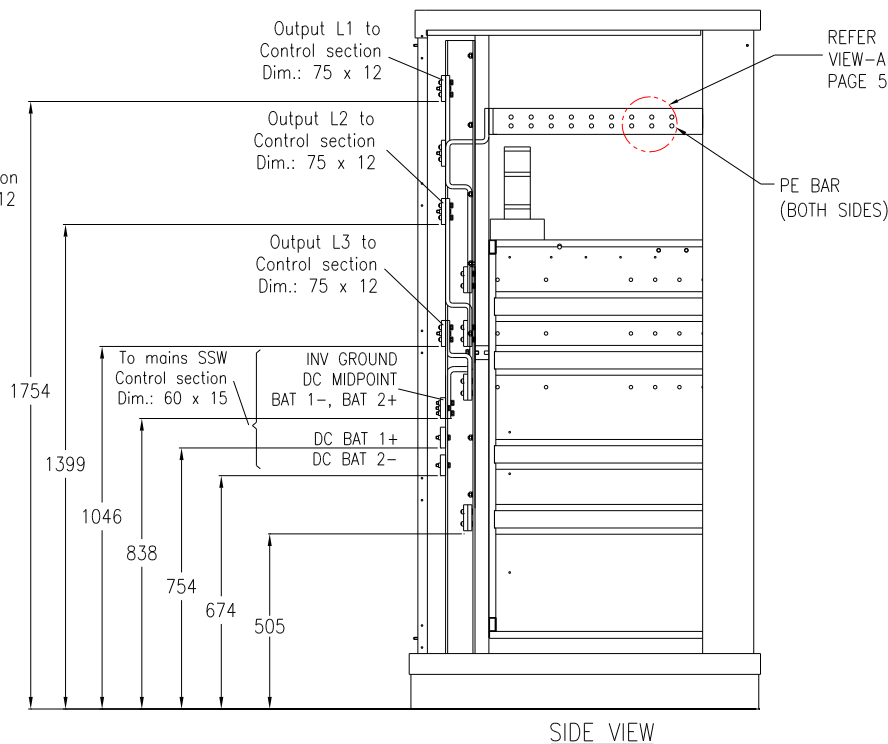
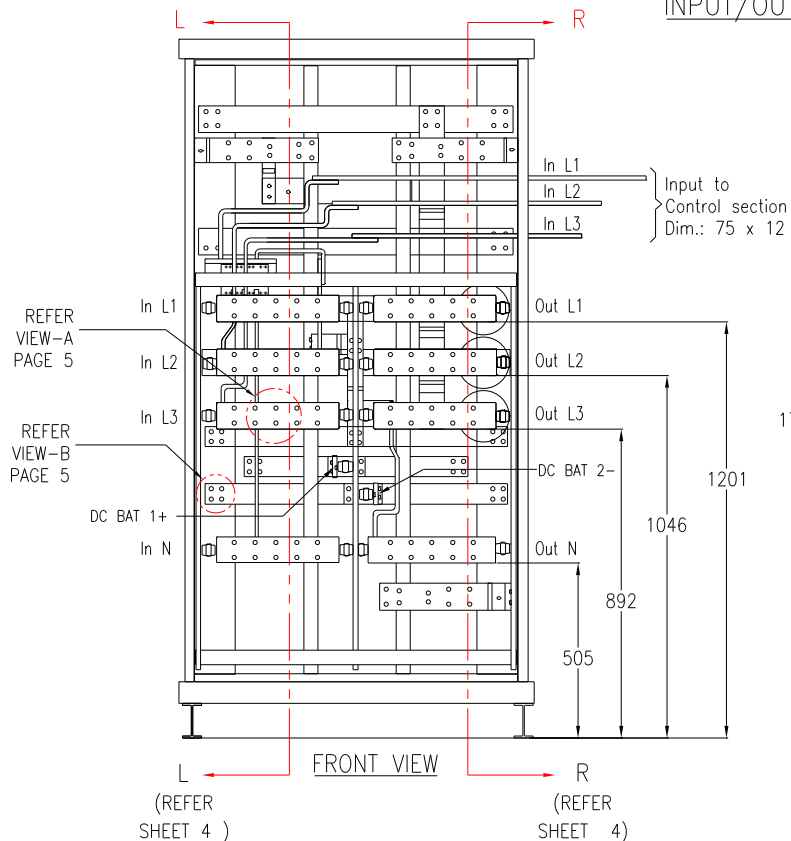
	WITH PMs	WITHOUT PMs
INVERTER SECTION	3136kg	2456kg
CONTROL SECTION	610kg	610kg
IN/OUT SECTION	480kg	480kg
TOTAL WEIGHT	4226kg	3546kg
5. CABLE ENTRY IS TOP OR BOTTOM OF UNIT
6. INSTALLATION MUST COMPLY WITH NATIONAL AND LOCAL ELECTRICAL REGULATIONS.

THIS DRAWING AND SPECIFICATIONS HEREIN ARE THE PROPERTY OF AMERICAN POWER CONVERSION AND SHALL NOT BE COPIED, REPRODUCED OR USED IN WHOLE OR IN PART, AS THE BASIS FOR THE MANUFACTURE OR SALE OF ITEMS WITHOUT WRITTEN PERMISSION FROM APC. THIS DRAWING IS BASED UPON LATEST AVAILABLE INFORMATION AND IS SUBJECT TO CHANGE WITHOUT NOTICE.

TITLE:	SYMMETRA MW UPS 400V, 3PH, 800KW CONFIGURATION-II, RIGHT HAND MAIN MECHANICAL	DWG NO:	SYMF800KHR-MM1	REV:	3
DRAWN:	JAYAPRAKASH	CHECKED:	B.H.NIELSEN/S.WAGH	DATE:	26/10/06
PROJECT:	SUBMITAL DRAWING	ENGINEER:	C.LARSEN/S.WAGH	DATE:	26/10/06
SHEET 1 OF 9		PROJECTION			

APC
AMERICAN POWER CONVERSION
132 FAIRGROUNDS RD
WEST KINGSTON, RI 02892

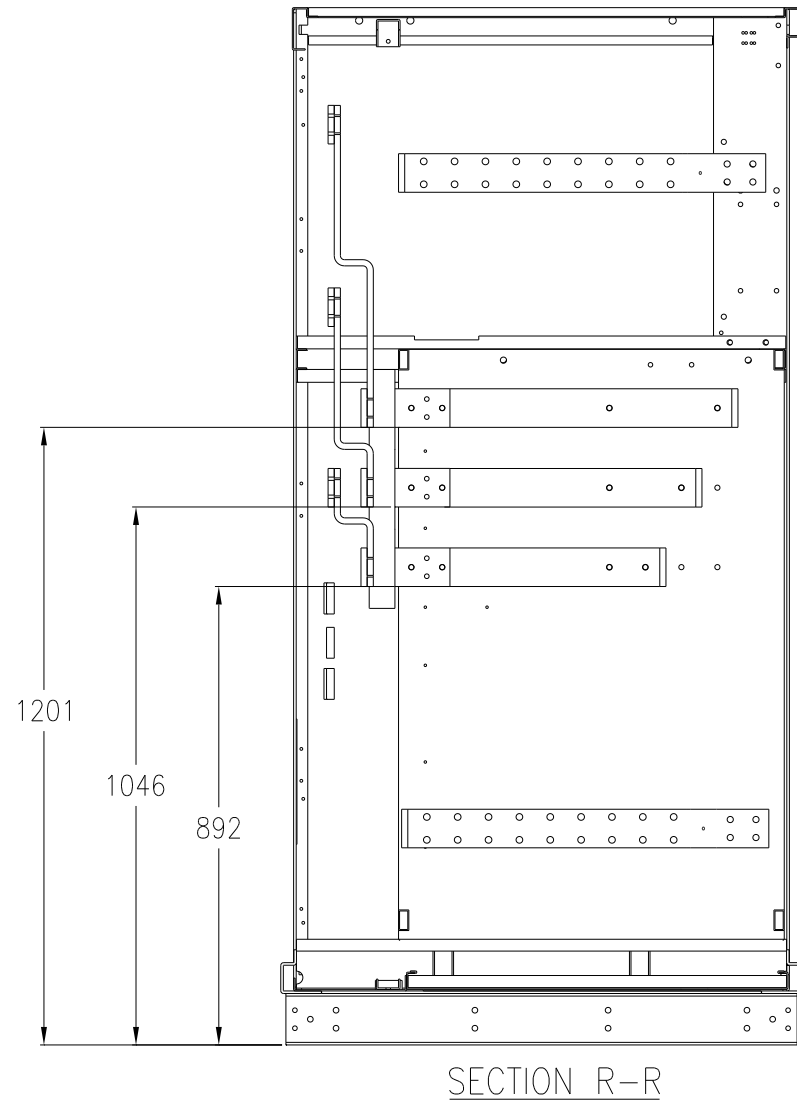
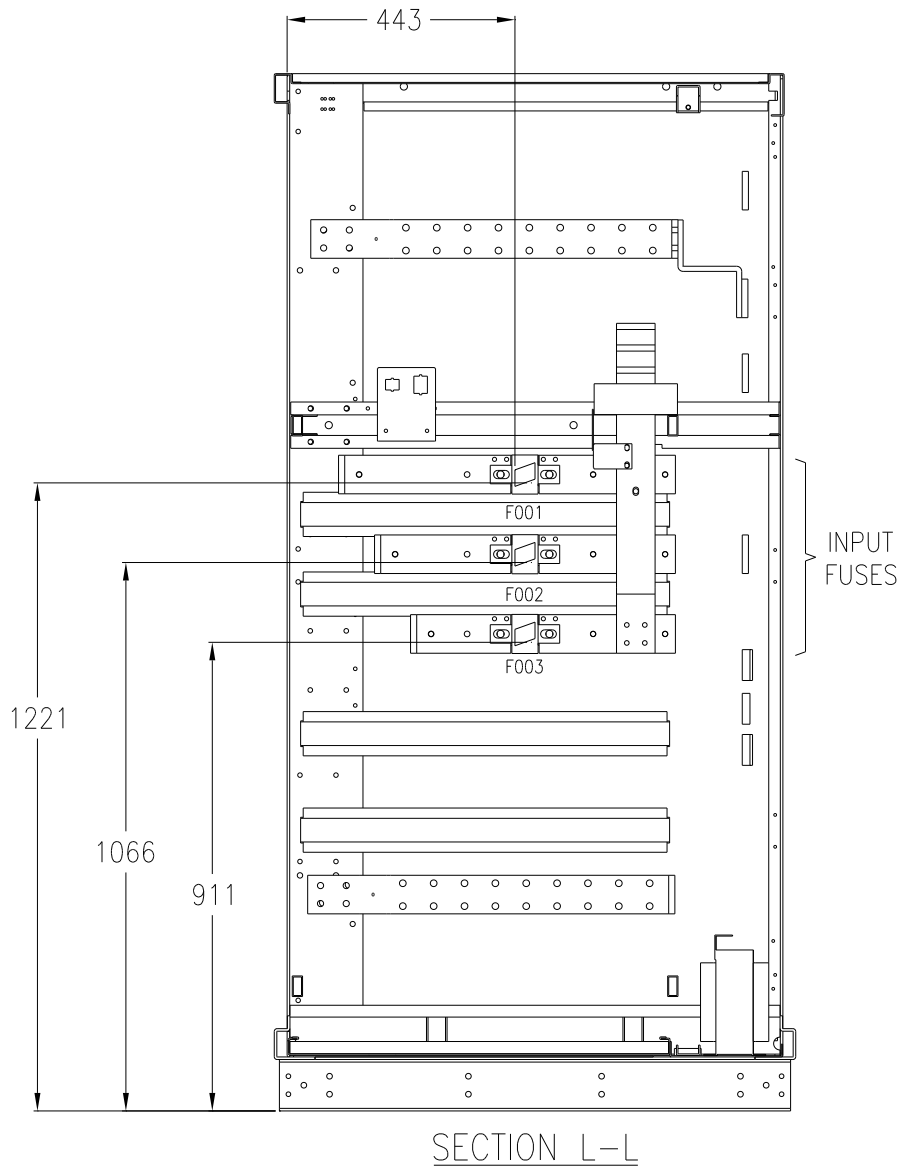
INPUT/OUTPUT CABINET



- NOTES:
1. ALL DATA IN THIS DRAWING PROVIDED FOR FULLY POPULATED UNIT
 2. PLEASE REFER TO INSTALLATION GUIDE
 3. CABLE ENTRY IS TOP OR BOTTOM OF UNIT.
 4. SOME STRUCTURAL DETAILS AND MOUNTING BRACKETS HAVE BEEN OMITTED FOR CLARITY.
 5. ALL DIMENSIONS ARE IN MILLIMETERS
 6. INSTALLATION MUST COMPLY WITH NATIONAL AND LOCAL ELECTRICAL REGULATIONS

THIS DRAWING AND SPECIFICATIONS HEREIN ARE THE PROPERTY OF AMERICAN POWER CONVERSION AND SHALL NOT BE COPIED, REPRODUCED OR USED IN WHOLE OR IN PART, AS THE BASIS FOR THE MANUFACTURE OR SALE OF ITEMS WITHOUT WRITTEN PERMISSION FROM APC. THIS DRAWING IS BASED UPON LATEST AVAILABLE INFORMATION AND IS SUBJECT TO CHANGE WITHOUT NOTICE.		TITLE: SYMMETRA MW UPS 400V, 3PH, 800KW CONFIGURATION-II, RIGHT HAND INTERNAL VIEW-INPUT OUTPUT CABINET		DWG NO: SYMF800KHR-ME1		REV: 2		<p>AMERICAN POWER CONVERSION 132 FAIRGROUNDS RD WEST KINGSTON, RI 02892</p>
PROJECT: SUBMITTAL DRAWING		SHEET 3 OF 9		DRAWN: JAYAPRAKASH		26/10/06		
				CHECKED: B.H.NIELSEN/S.WAGH		26/10/06		
				ENGINEER: C.LARSEN/S.WAGH		26/10/06		

INPUT/OUTPUT CABINET



NOTES:

1. ALL DATA IN THIS DRAWING PROVIDED FOR FULLY POPULATED UNIT
2. PLEASE REFER TO APC PRODUCT MANUAL.
3. ALL DIMENSIONS ARE IN MILLIMETERS
4. INPUT FUSE RATING: 1800A (SEMI-CONDUCTOR TYPE)
5. INSTALLATION MUST COMPLY WITH NATIONAL AND LOCAL ELECTRICAL REGULATIONS

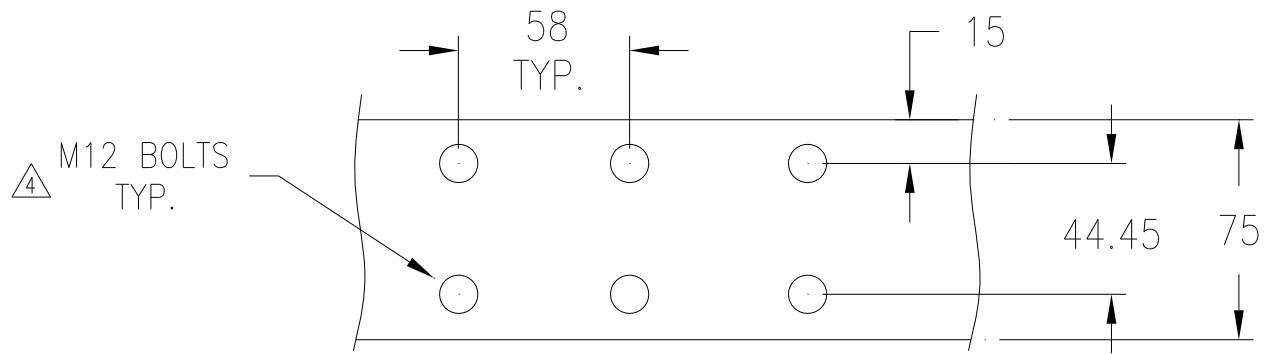
THIS DRAWING AND SPECIFICATIONS HEREIN ARE THE PROPERTY OF AMERICAN POWER CONVERSION AND SHALL NOT BE COPIED, REPRODUCED OR USED IN WHOLE OR IN PART, AS THE BASIS FOR THE MANUFACTURE OR SALE OF ITEMS WITHOUT WRITTEN PERMISSION FROM APC. THIS DRAWING IS BASED UPON LATEST AVAILABLE INFORMATION AND IS SUBJECT TO CHANGE WITHOUT NOTICE.

TITLE: SYMMETRA MW UPS
400V, 3PH, 800kW
CONFIGURATION-II, RIGHT HAND
INTERNAL SECTIONS-INPUT OUTPUT CABINET
PROJECT: SUBMITTAL DRAWING SHEET 4 OF 9

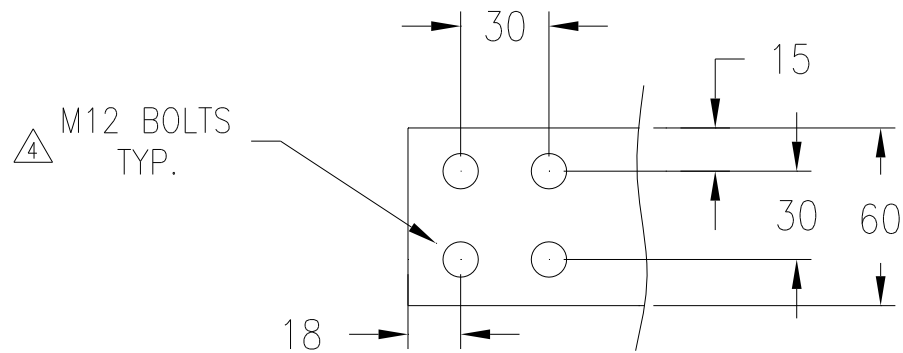
DWG NO: SYMF800KHR-ME2
REV: 2
DRAWN: JAYAPRAKASH 26/10/06
CHECKED: B.H.NIELSEN/S.WAGH 26/10/06
ENGINEER: C.LARSEN/S.WAGH 26/10/06

PROJECTION





VIEW A (ENLARGED)
INPUT/OUTPUT, PE BUS DETAIL



VIEW B (ENLARGED)
DC BUS DETAIL

NOTES:

1. ALL DATA IN THIS DRAWING PROVIDED FOR FULLY POPULATED UNIT
2. PLEASE REFER TO APC PRODUCT MANUAL.
3. ALL DIMENSIONS ARE IN MILLIMETERS
- △ 4. BOLTS AND NUTS ARE PROVIDED BY APC
5. INSTALLATION MUST COMPLY WITH NATIONAL AND LOCAL ELECTRICAL REGULATIONS.

THIS DRAWING AND SPECIFICATIONS HEREIN ARE THE PROPERTY OF AMERICAN POWER CONVERSION AND SHALL NOT BE COPIED, REPRODUCED OR USED IN WHOLE OR IN PART, AS THE BASIS FOR THE MANUFACTURE OR SALE OF ITEMS WITHOUT WRITTEN PERMISSION FROM APC. THIS DRAWING IS BASED UPON LATEST AVAILABLE INFORMATION AND IS SUBJECT TO CHANGE WITHOUT NOTICE.

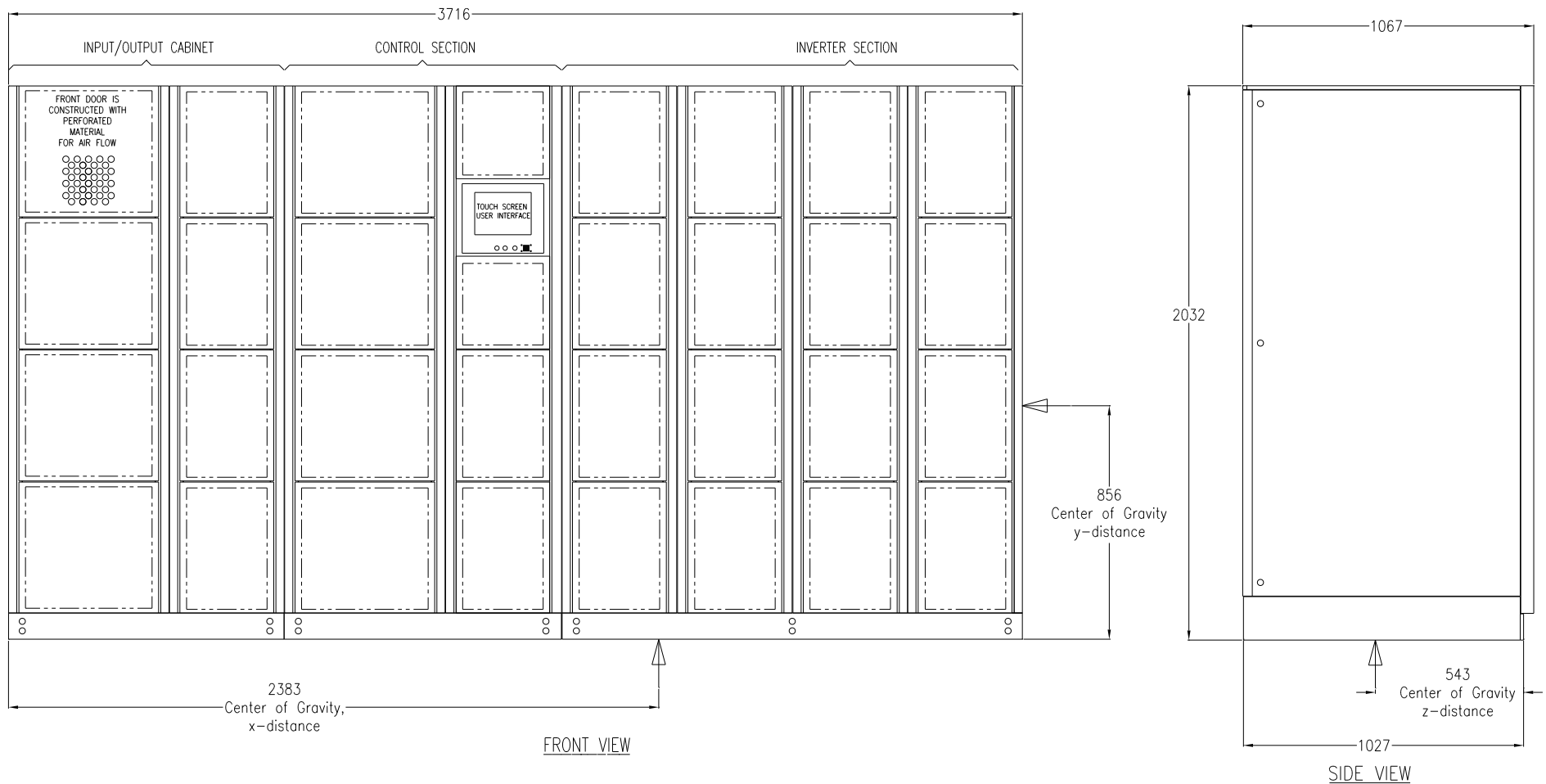
TITLE: SYMMETRA MW UPS
400V, 3PH, 800kW
CONFIGURATION-II, RIGHT HAND
BUS DETAILS

DWG NO: SYMF800KHR-ME3
REV. -
DRAWN: C. KRISHNA 26/10/06
CHECKED: B.H.NIELSEN/S.WAGH 26/10/06
ENGINEER: C.LARSEN/S.WAGH 26/10/06

PROJECTION

APC[®]
AMERICAN POWER CONVERSION
132 FAIRGROUNDS RD
WEST KINGSTON, RI 02892

CENTER OF GRAVITY FOR ASSEMBLY



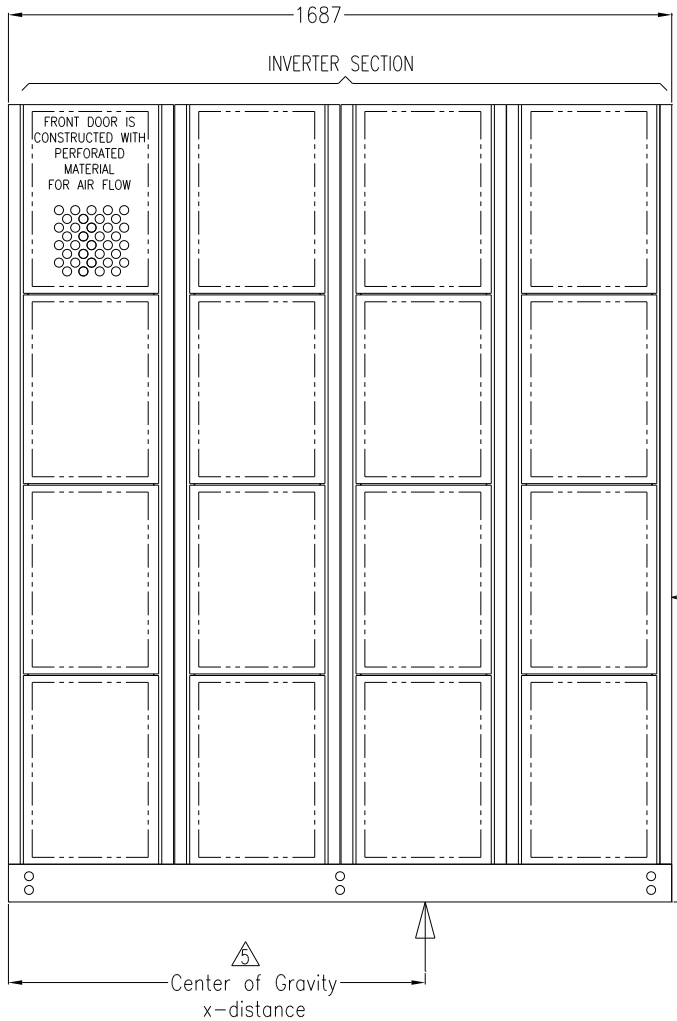
NOTES:

1. ALL DATA IN THIS DRAWING PROVIDED FOR FULLY POPULATED UNIT
2. PLEASE REFER TO INSTALLATION GUIDE
3. ALL DIMENSIONS ARE IN MILLIMETERS
4. ALL VALUES ARE FOR FULLY POPULATED FRAME
5. THE UPS IS NEVER TO BE TRANSPORTED AS A FULL SYSTEM.
6. INSTALLATION MUST COMPLY WITH NATIONAL AND LOCAL ELECTRICAL REGULATIONS.

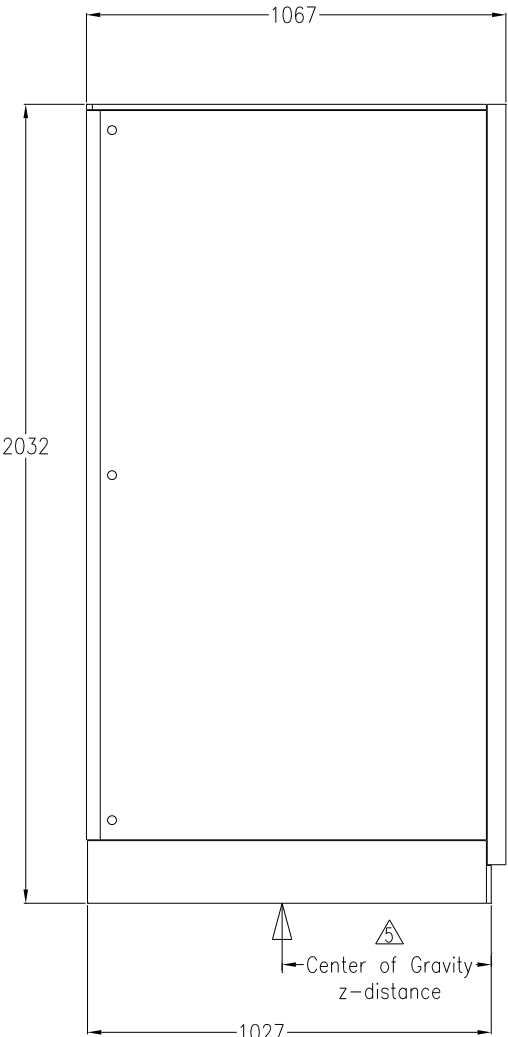
THIS DRAWING AND SPECIFICATIONS HEREIN ARE THE PROPERTY OF AMERICAN POWER CONVERSION AND SHALL NOT BE COPIED, REPRODUCED OR USED IN WHOLE OR IN PART, AS THE BASIS FOR THE MANUFACTURE OR SALE OF ITEMS WITHOUT WRITTEN PERMISSION FROM APC. THIS DRAWING IS BASED UPON LATEST AVAILABLE INFORMATION AND IS SUBJECT TO CHANGE WITHOUT NOTICE.		TITLE: SYMMETRA MW UPS CONFIGURATION-II, RIGHT HAND 400V, 3PH, 800KW COG UPS ASSEMBLY		DWG NO: SYMF800KHR-CG1		REV. 4	
PROJECT: SUBMITTAL DRAWINGS		SHEET 6 OF 9		DRAWN: JAYAPRAKASH		26/10/06	
				CHECKED: B.H.NIELSEN/S.WAGH		26/10/06	
				ENGINEER: C.LARSEN/S.WAGH		26/10/06	



**CENTER OF GRAVITY
FOR INVERTER SECTION**



FRONT VIEW




SIDE VIEW

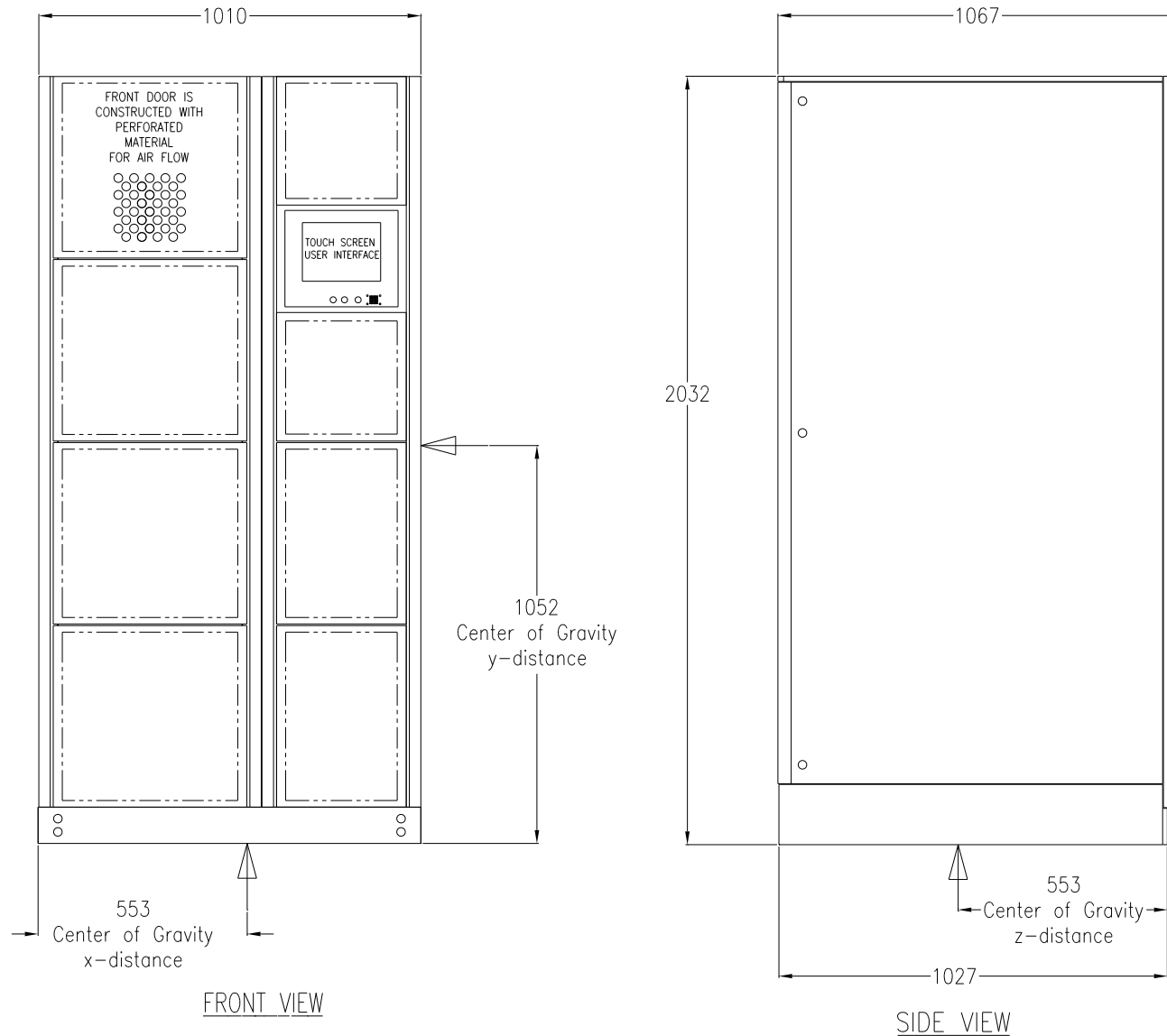
- NOTES:
1. ALL DATA IN THIS DRAWING PROVIDED FOR FULLY POPULATED UNIT
 2. PLEASE REFER TO INSTALLATION GUIDE
 3. ALL DIMENSIONS ARE IN MILLIMETERS.
 4. INSTALLATION MUST COMPLY WITH NATIONAL AND LOCAL ELECTRICAL REGULATIONS.
 5. THE INVERTER SECTION IS NEVER TO BE TRANSPORTED FULLY POPULATED.

△ 6.

CENTER OF GRAVITY	INVERTER SECTION	
	FULLY POPULATED (WITH PM)	UNPOPULATED (WITHOUT PM)
X DISTANCE	846mm	835mm
Y DISTANCE	777mm	619mm
Z DISTANCE	532mm	565mm

THIS DRAWING AND SPECIFICATIONS HEREIN ARE THE PROPERTY OF AMERICAN POWER CONVERSION AND SHALL NOT BE COPIED, REPRODUCED OR USED IN WHOLE OR IN PART, AS THE BASIS FOR THE MANUFACTURE OR SALE OF ITEMS WITHOUT WRITTEN PERMISSION FROM APC. THIS DRAWING IS BASED UPON LATEST AVAILABLE INFORMATION AND IS SUBJECT TO CHANGE WITHOUT NOTICE.	TITLE: SYMMETRA MW UPS CONFIGURATION-II, RIGHT HAND 400V, 3PH, 800KW COG INVERTER SECTION	DWG NO: SYMF800KHR-CG2	REV. 4	 <small>AMERICAN POWER CONVERSION 132 FAIRGROUNDS RD WEST KINGSTON, RI 02892</small>
	PROJECT: SUBMITTAL DRAWINGS SHEET 7 OF 9	ENGINEER: C.LARSEN/S.WAGH	CHECKED: B.H.NIELSEN/S.WAGH	

CENTER OF GRAVITY FOR CONTROL SECTION



NOTES:

1. ALL DATA IN THIS DRAWING PROVIDED FOR FULLY POPULATED UNIT
2. PLEASE REFER TO INSTALLATION GUIDE
3. ALL DIMENSIONS ARE IN MILLIMETERS
4. INSTALLATION MUST COMPLY WITH NATIONAL AND LOCAL ELECTRICAL REGULATIONS.

THIS DRAWING AND SPECIFICATIONS HEREIN ARE THE PROPERTY OF AMERICAN POWER CONVERSION AND SHALL NOT BE COPIED, REPRODUCED OR USED IN WHOLE OR IN PART, AS THE BASIS FOR THE MANUFACTURE OR SALE OF ITEMS WITHOUT WRITTEN PERMISSION FROM APC. THIS DRAWING IS BASED UPON LATEST AVAILABLE INFORMATION AND IS SUBJECT TO CHANGE WITHOUT NOTICE.

TITLE: SYMMETRA MW UPS
CONFIGURATION-II, RIGHT HAND
400V, 3PH, 800KW
COG CONTROL SECTION

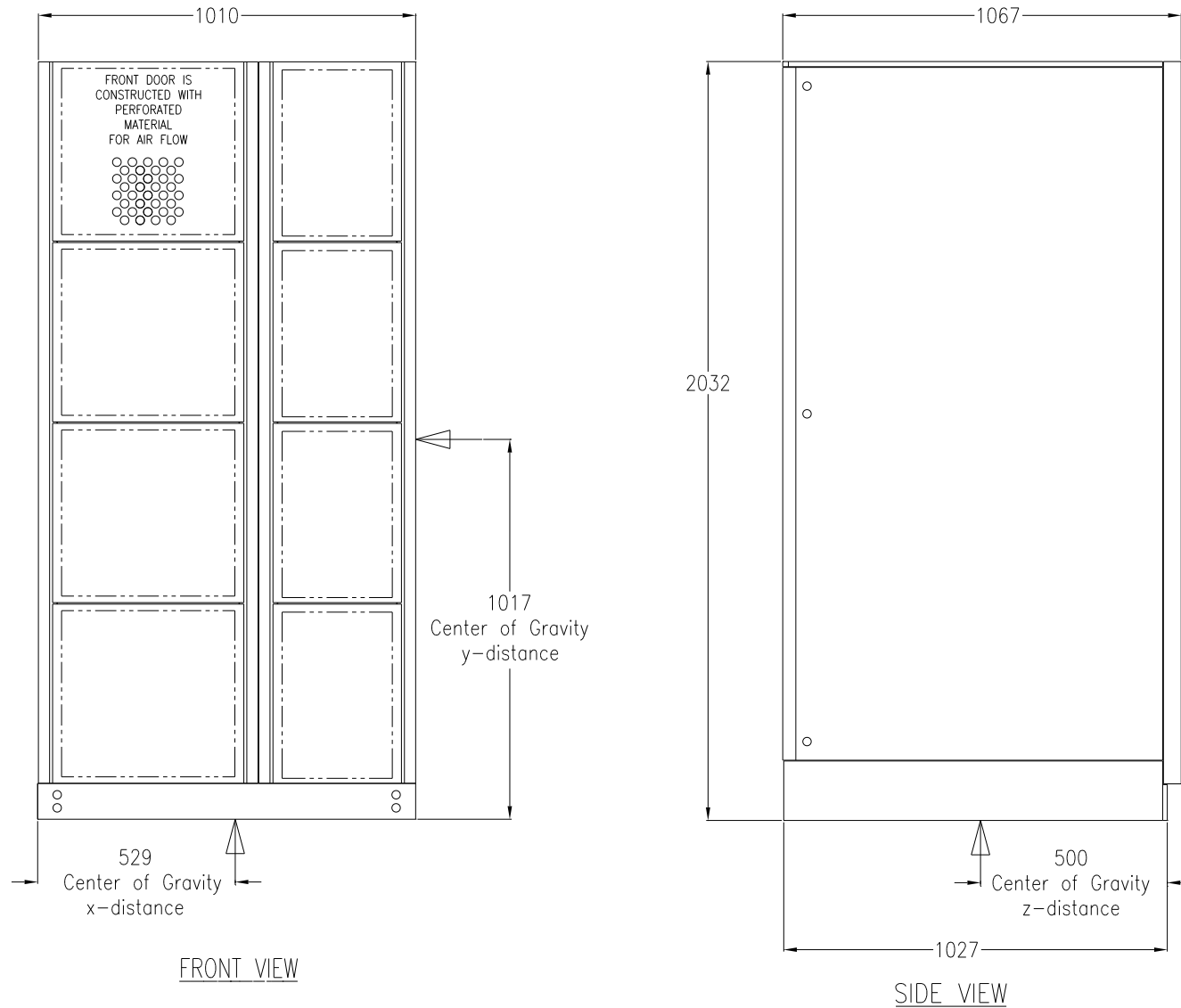
DWG NO: SYMF800KHR-CG3
DRAWN: JAYAPRAKASH
CHECKED: B.H.NIELSEN/S.WAGH
ENGINEER: C.LARSEN/S.WAGH

REV. 3
PROJECTION

APC[®]
AMERICAN POWER CONVERSION
132 FAIRGROUNDS RD
WEST KINGSTON, RI 02892

PROJECT: SUBMITTAL DRAWINGS SHEET 8 OF 9

CENTER OF GRAVITY FOR INPUT/OUTPUT CABINET



NOTES:

1. ALL DATA IN THIS DRAWING PROVIDED FOR FULLY POPULATED UNIT
2. PLEASE REFER TO INSTALLATION GUIDE
3. ALL DIMENSIONS ARE IN MILLIMETERS.
4. INSTALLATION MUST COMPLY WITH NATIONAL AND LOCAL ELECTRICAL REGULATIONS.

THIS DRAWING AND SPECIFICATIONS HEREIN ARE THE PROPERTY OF AMERICAN POWER CONVERSION AND SHALL NOT BE COPIED, REPRODUCED OR USED IN WHOLE OR IN PART, AS THE BASIS FOR THE MANUFACTURE OR SALE OF ITEMS WITHOUT WRITTEN PERMISSION FROM APC. THIS DRAWING IS BASED UPON LATEST AVAILABLE INFORMATION AND IS SUBJECT TO CHANGE WITHOUT NOTICE.

TITLE: SYMMETRA MW UPS
CONFIGURATION-II, RIGHT HAND
400V, 3PH, 800kW
COG INPUT/OUTPUT CABINET

DWG NO: SYMF800KHR-CG4
DRAWN: JAYAPRAKASH
CHECKED: B.H.NIELSEN/S.WAGH
ENGINEER: C.LARSEN/S.WAGH

REV. 3
PROJECTION

APC[®]
AMERICAN POWER CONVERSION
132 FAIRGROUNDS RD
WEST KINGSTON, RI 02892