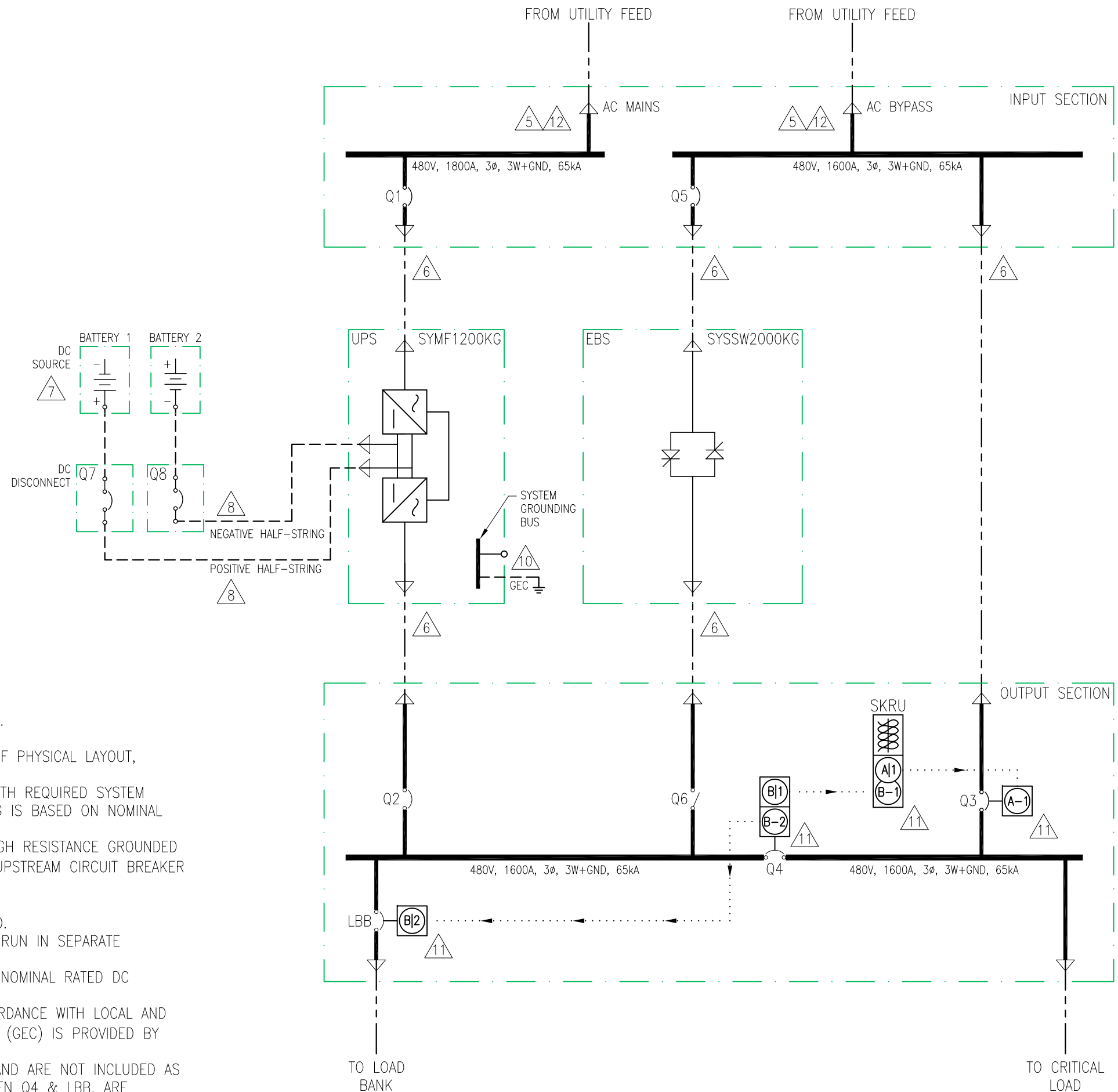


DEVICE	FRAME TRIP	RMS SYM	TYPE	ACCESSORIES
Q1	1800AT	65kAIC	ICCB	24VDC SHUNT TRIP, 3A/3B AUX CONTACT
Q2, Q4, Q5, LBB	1600AT	65kAIC	ICCB	24VDC SHUNT TRIP, 3A/3B AUX CONTACT
Q3	1600AT	65kAIC	ICCB	120VAC SHUNT TRIP, 3A/3B AUX CONTACT
Q6	1600SW	65kAIC	ICSW	24VDC SHUNT TRIP, 3A/3B AUX CONTACT
Q7, Q8	1800AT	25kAIC	MCCB	24VDC UNDERVOLT TRIP, 2A/2B AUX CONTACT

DEVICE	CURRENT	RATED SHORT CIRCUIT CURRENT
UPS AC IN	1637A	200,000A SYMMETRICAL
UPS AC OUT	1444A	200,000A SYMMETRICAL
UPS DC	1627A	50,000A SYMMETRICAL
SSW	1443A	200,000A SYMMETRICAL
DC DISCONNECT	1627A	25,000A SYMMETRICAL

LEGEND:

- AC CABLE (PROVIDED BY OTHERS)
- DC CABLE (PROVIDED BY OTHERS)
- AC BUS
- INTERLOCK



NOTES:

1. INSTALLATION SHALL COMPLY WITH ALL APPLICABLE LOCAL AND NATIONAL CODES.
2. PLEASE REFER TO PRODUCT MANUAL FOR DETAILS.
3. DRAWING DEPICTS POWER SYSTEM CONNECTIONS AND IS NOT REPRESENTATIVE OF PHYSICAL LAYOUT, PLEASE REFER TO MECHANICAL DRAWINGS FOR PHYSICAL LAYOUT.
4. ALL BREAKERS SHALL BE 100% CONTINUOUS DUTY RATED AND COORDINATED WITH REQUIRED SYSTEM SETTINGS AS DETAILED IN SYMMETRA MW INSTALLATION MANUAL. BREAKER SIZING IS BASED ON NOMINAL MAINS VOLTAGE.
- △5. AC SOURCE MUST BE 480VAC, WYE CONNECTED, 3W+G, EITHER SOLIDLY OR HIGH RESISTANCE GROUNDING (CONTACT Schneider Electric IF OTHER). REFER TO INSTALLATION MANUAL FOR UPSTREAM CIRCUIT BREAKER REQUIREMENTS.
- △6. AC CABLING SHALL BE 600V RATED, 3-WIRE + GROUND.
- △7. DC SOURCE SHALL BE MINIMUM (2) 384VDC HALF-STRINGS, 2-WIRE + GROUND.
- △8. DC CABLING SHALL BE 600V RATED, 2-WIRE + GROUND, EACH CIRCUIT TO BE RUN IN SEPARATE CONDUITS, POSITIVE, NEGATIVE + GROUND. SEE 5-LINE DIAGRAM FOR DETAILS.
9. BATTERY SIZING IS BASED ON A MAXIMUM 1-VOLT DROP PER HALF-STRING AT NOMINAL RATED DC CURRENT. CE SHALL ADJUST CABLE SIZE BASED ON INSTALLATION PARAMETERS.
- △10. THIS SYSTEM SHALL BE INSTALLED AS A SEPARATELY DERIVED SYSTEM IN ACCORDANCE WITH LOCAL AND NATIONAL CODES; N.E.C. 250.30(a)(3). THE GROUNDING ELECTRODE CONDUCTOR (GEC) IS PROVIDED BY OTHERS.
- △11. KEY INTERLOCKS WITH SKRU, SCHEME 39, BETWEEN Q3 & Q4, ARE OPTIONAL AND ARE NOT INCLUDED AS STANDARD WITH THE SYSTEM. KEY INTERLOCKS WITH SKRU, SCHEME 29, BETWEEN Q4 & LBB, ARE OPTIONAL AND ARE NOT INCLUDED AS STANDARD WITH THE SYSTEM. LBB IS OPTIONAL AND IS NOT INCLUDED AS STANDARD WITH THE SYSTEM.
- △12. UPS INPUT SOURCE AND BYPASS SOURCE MUST BE IN PHASE FOR Schneider Electric SYMMETRA MW UPS.
13. CABLE LUGS ARE PROVIDED BY OTHERS.

THIS DRAWING AND SPECIFICATIONS HEREIN ARE THE PROPERTY OF SCHNEIDER ELECTRIC AND SHALL NOT BE COPIED, REPRODUCED OR USED IN WHOLE OR IN PART, AS THE BASIS FOR THE MANUFACTURE OR SALE OF ITEMS WITHOUT WRITTEN PERMISSION FROM SCHNEIDER ELECTRIC. THIS DRAWING IS BASED UPON LATEST AVAILABLE INFORMATION AND IS SUBJECT TO CHANGE WITHOUT NOTICE.



TITLE: SYMMETRA MW
INPUT: 480VAC, 3φ, DUAL MAINS
OUTPUT: 480VAC, 3φ, 1200kW
SINGLE-LINE DIAGRAM
PROJECT: STD SUBMITTAL DRAWINGS SHEET 1 OF 2

DWG NO: SYMF1200K1200G2C1-SD1
DRAWN BY: S CUNHA 30-JAN-14
ENGINEER: C BARBOZA 30-JAN-14
APPROVED BY: B SHERIDAN 30-JAN-14

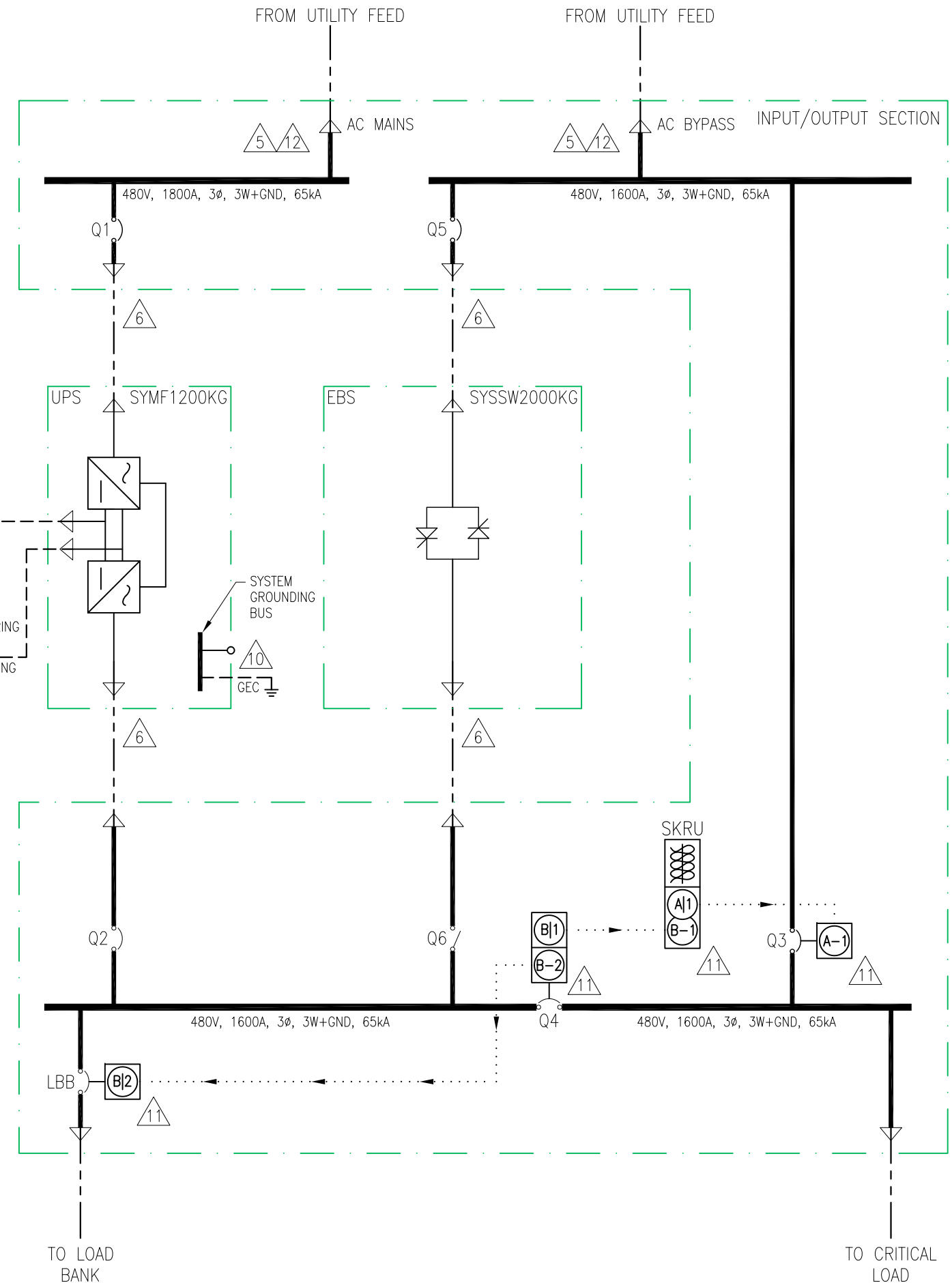
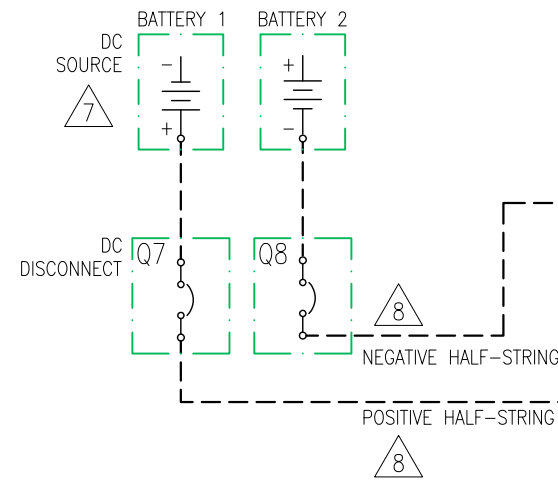
REV 6
PROJ ANGLE N/A

DEVICE	FRAME TRIP	RMS SYM	TYPE	ACCESSORIES
Q1	1800AT	65kAIC	ICCB	24VDC SHUNT TRIP, 3A/3B AUX CONTACT
Q2, Q4, Q5, LBB	1600AT	65kAIC	ICCB	24VDC SHUNT TRIP, 3A/3B AUX CONTACT
Q3	1600AT	65kAIC	ICCB	120VAC SHUNT TRIP, 3A/3B AUX CONTACT
Q6	1600SW	65kAIC	ICSW	24VDC SHUNT TRIP, 3A/3B AUX CONTACT
Q7, Q8	1800AT	25kAIC	MCCB	24VDC UNDERVOLT TRIP, 2A/2B AUX CONTACT

DEVICE	CURRENT	RATED SHORT CIRCUIT CURRENT
UPS AC IN	1637A	200,000A SYMMETRICAL
UPS AC OUT	1444A	200,000A SYMMETRICAL
UPS DC	1627A	50,000A SYMMETRICAL
SSW	1443A	200,000A SYMMETRICAL
DC DISCONNECT	1627A	25,000A SYMMETRICAL

LEGEND:

- AC CABLE (PROVIDED BY OTHERS)
- DC CABLE (PROVIDED BY OTHERS)
- AC BUS
- INTERLOCK



NOTES:

1. INSTALLATION SHALL COMPLY WITH ALL APPLICABLE LOCAL AND NATIONAL CODES.
2. PLEASE REFER TO PRODUCT MANUAL FOR DETAILS.
3. DRAWING DEPICTS POWER SYSTEM CONNECTIONS AND IS NOT REPRESENTATIVE OF PHYSICAL LAYOUT, PLEASE REFER TO MECHANICAL DRAWINGS FOR PHYSICAL LAYOUT.
4. ALL BREAKERS SHALL BE 100% CONTINUOUS DUTY RATED AND COORDINATED WITH REQUIRED SYSTEM SETTINGS AS DETAILED IN SYMMETRA MW INSTALLATION MANUAL. BREAKER SIZING IS BASED ON NOMINAL MAINS VOLTAGE.
- △5. AC SOURCE MUST BE 480VAC, WYE CONNECTED, 3W+G, EITHER SOLIDLY OR HIGH RESISTANCE GROUNDED (CONTACT Schneider Electric IF OTHER). REFER TO INSTALLATION MANUAL FOR UPSTREAM CIRCUIT BREAKER REQUIREMENTS.
- △6. AC CABLING SHALL BE 600V RATED, 3-WIRE + GROUND.
- △7. DC SOURCE SHALL BE MINIMUM (2) 384VDC HALF-STRINGS, 2-WIRE + GROUND.
- △8. DC CABLING SHALL BE 600V RATED, 2-WIRE + GROUND, EACH CIRCUIT TO BE RUN IN SEPARATE CONDUITS, POSITIVE, NEGATIVE + GROUND. SEE 5-LINE DIAGRAM FOR DETAILS.
9. BATTERY SIZING IS BASED ON A MAXIMUM 1-VOLT DROP PER HALF-STRING AT NOMINAL RATED DC CURRENT. CE SHALL ADJUST CABLE SIZE BASED ON INSTALLATION PARAMETERS.
- △10. THIS SYSTEM SHALL BE INSTALLED AS A SEPARATELY DERIVED SYSTEM IN ACCORDANCE WITH LOCAL AND NATIONAL CODES; N.E.C. 250.30(a)(3). THE GROUNDING ELECTRODE CONDUCTOR (GEC) IS PROVIDED BY OTHERS.
- △11. KEY INTERLOCKS WITH SKRU, SCHEME 39, BETWEEN Q3 & Q4, ARE OPTIONAL AND ARE NOT INCLUDED AS STANDARD WITH THE SYSTEM. KEY INTERLOCKS WITH SKRU, SCHEME 29, BETWEEN Q4 & LBB, ARE OPTIONAL AND ARE NOT INCLUDED AS STANDARD WITH THE SYSTEM. LBB IS OPTIONAL AND IS NOT INCLUDED AS STANDARD WITH THE SYSTEM.
- △12. UPS INPUT SOURCE AND BYPASS SOURCE MUST BE IN PHASE FOR Schneider Electric SYMMETRA MW UPS.
13. CABLE LUGS ARE PROVIDED BY OTHERS.

THIS DRAWING AND SPECIFICATIONS HEREIN ARE THE PROPERTY OF SCHNEIDER ELECTRIC AND SHALL NOT BE COPIED, REPRODUCED OR USED IN WHOLE OR IN PART, AS THE BASIS FOR THE MANUFACTURE OR SALE OF ITEMS WITHOUT WRITTEN PERMISSION FROM SCHNEIDER ELECTRIC. THIS DRAWING IS BASED UPON LATEST AVAILABLE INFORMATION AND IS SUBJECT TO CHANGE WITHOUT NOTICE.



TITLE: SYMMETRA MW
INPUT: 480VAC, 3Ø, DUAL MAINS
OUTPUT: 480VAC, 3Ø, 1200KW
SINGLE-LINE DIAGRAM
PROJECT: STD SUBMITTAL DRAWINGS SHEET 2 OF 2

DWG NO: SYMF1200K1200G2C1-SD2
DRAWN BY: S CUNHA 30-JAN-14
ENGINEER: C BARBOZA 30-JAN-14
APPROVED BY: B SHERIDAN 30-JAN-14
REV 2
PROJ ANGLE N/A