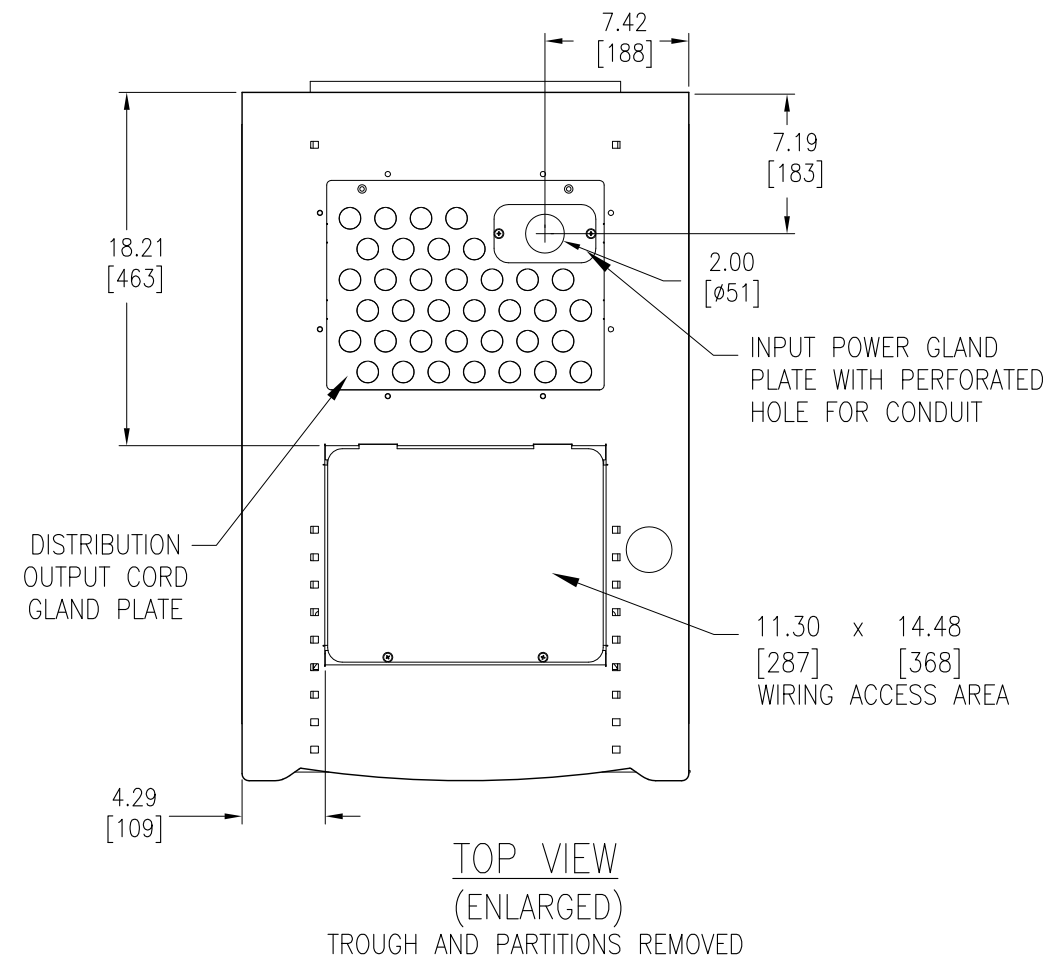
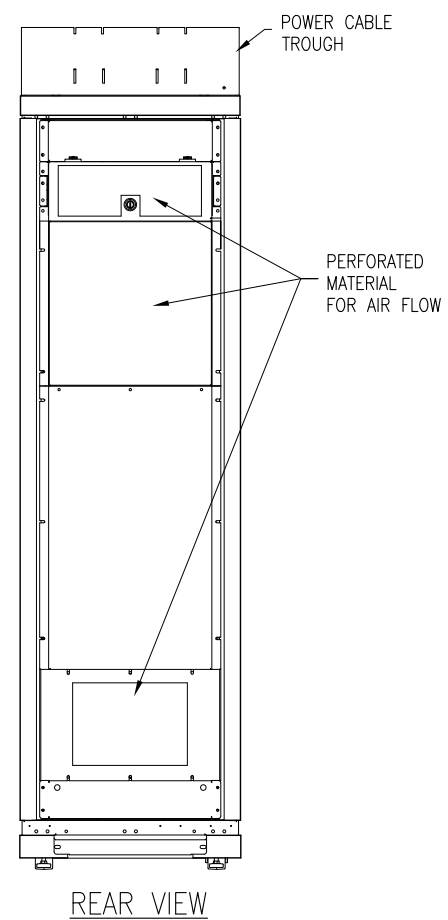
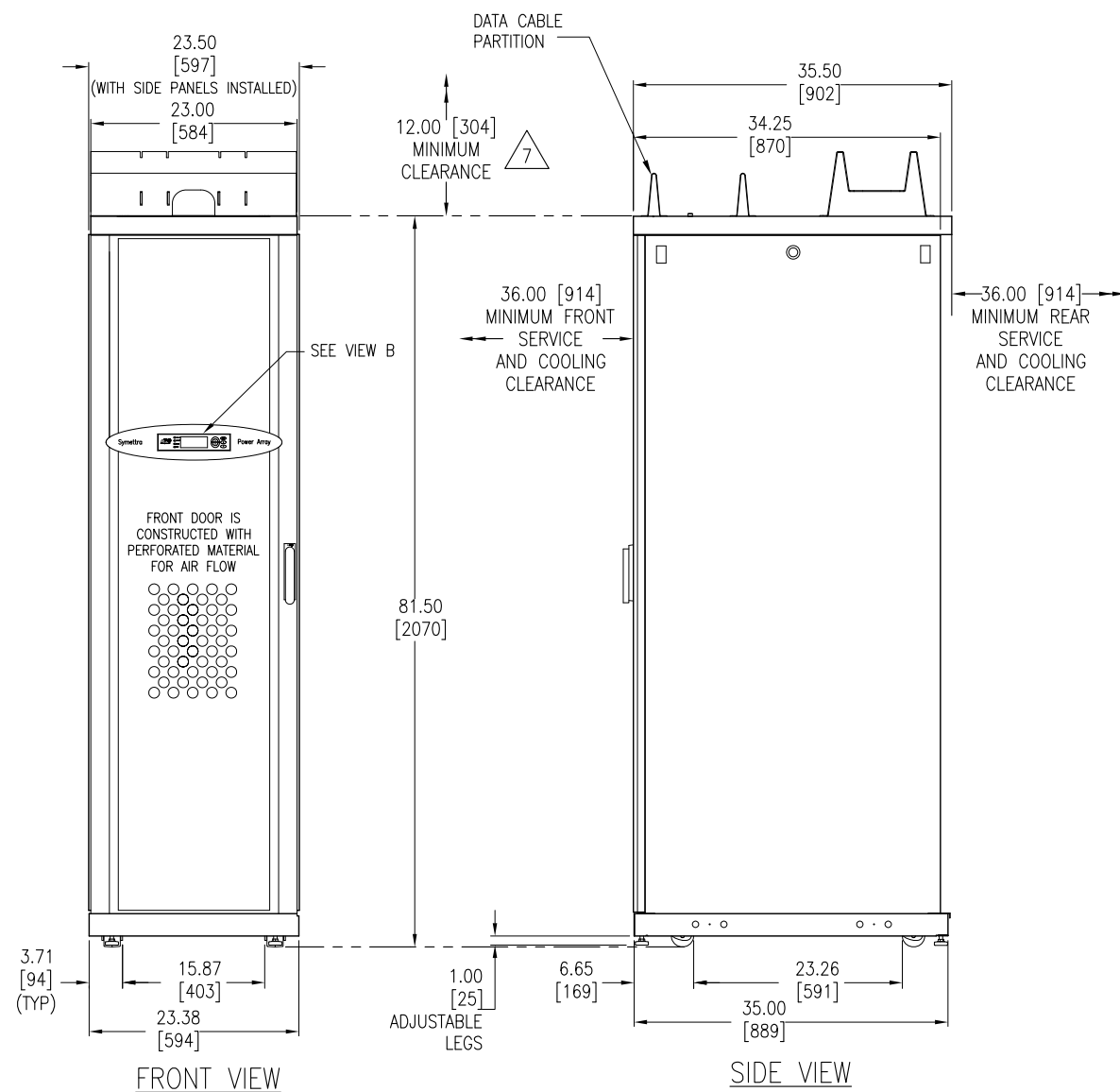


VIEW B, ENLARGED
CONTROL PANEL



NOTES:

1. INSTALLATION SHALL COMPLY WITH ALL APPLICABLE NATIONAL, STATE AND LOCAL CODES.
2. PLEASE REFER TO PRODUCT DOCUMENTATION FOR FURTHER INFORMATION.
3. UNLESS OTHERWISE SPECIFIED, ALL DIMENSIONS ARE IN INCHES [MILLIMETERS].
4. TOP CABLE ENTRY.
5. SERVICE ACCESS IS FRONT AND REAR.
6. MAXIMUM WEIGHT OF UNIT IS 1803 lbs [820 kg].
- △ 7. 24.00 [610] CEILING CLEARANCE RECOMMENDED.

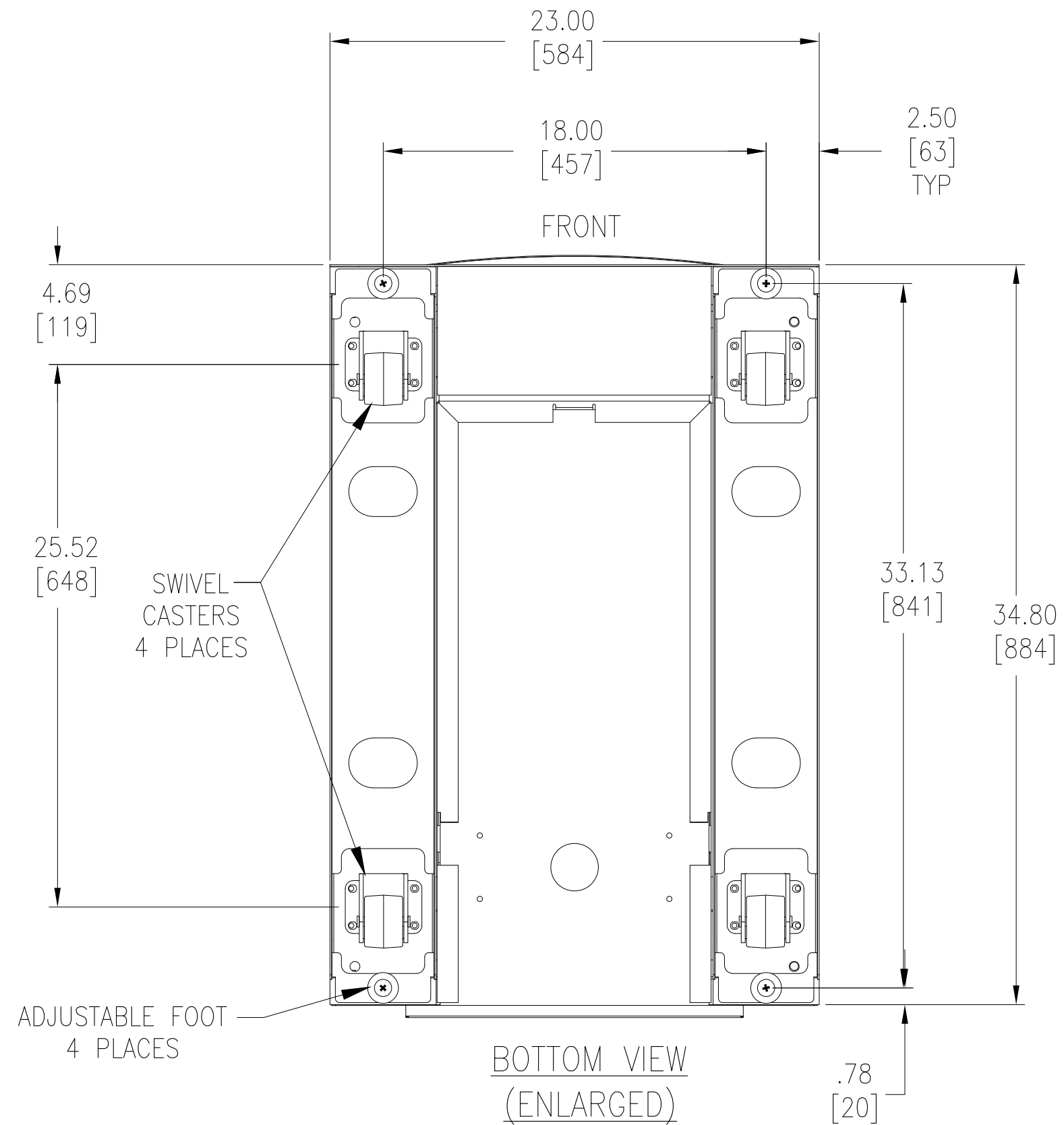
THIS DRAWING AND SPECIFICATIONS HEREIN ARE THE PROPERTY OF SCHNEIDER ELECTRIC AND SHALL NOT BE COPIED, REPRODUCED OR USED IN WHOLE OR IN PART, AS THE BASIS FOR THE MANUFACTURE OR SALE OF ITEMS WITHOUT WRITTEN PERMISSION FROM SCHNEIDER ELECTRIC. THIS DRAWING IS BASED UPON LATEST AVAILABLE INFORMATION AND IS SUBJECT TO CHANGE WITHOUT NOTICE.



TITLE:
InfraStruXure 20kW SYSTEM
208VAC, 3Ø, 1x20kW (N+1)
MAIN MECHANICAL

PROJECT: STD SUBMITTAL DRAWING SHEET: 1 OF 5

DWG NO:	ISX20K20F		REV.	4
DRAWN:	M CRAVEN/S CUNHA	02-OCT-14	THIRD ANGLE PROJ	
ENGINEER:	E HANSON	24-AUG-07		
APPROVED:	B SHERIDAN/E SILVA	24-AUG-07		



NOTES:

1. INSTALLATION SHALL COMPLY WITH ALL APPLICABLE NATIONAL, STATE AND LOCAL CODES.
2. PLEASE REFER TO PRODUCT DOCUMENTATION FOR FURTHER INFORMATION.
3. UNLESS OTHERWISE SPECIFIED, ALL DIMENSIONS ARE IN INCHES [MILLIMETERS].
4. SOME STRUCTURAL DETAILS HAVE BEEN OMITTED FOR CLARITY.

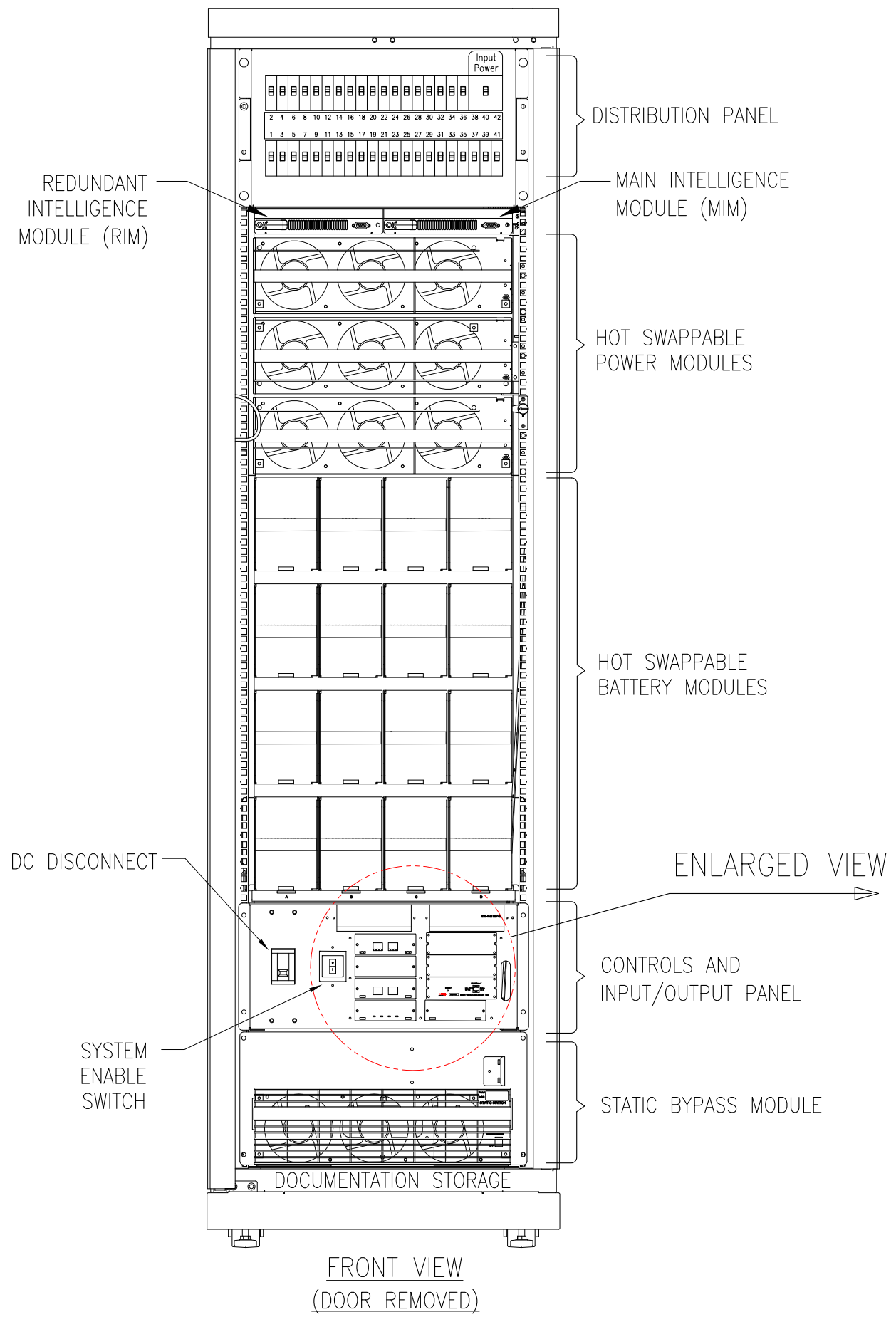
THIS DRAWING AND SPECIFICATIONS HEREIN ARE THE PROPERTY OF SCHNEIDER ELECTRIC AND SHALL NOT BE COPIED, REPRODUCED OR USED IN WHOLE OR IN PART, AS THE BASIS FOR THE MANUFACTURE OR SALE OF ITEMS WITHOUT WRITTEN PERMISSION FROM SCHNEIDER ELECTRIC. THIS DRAWING IS BASED UPON LATEST AVAILABLE INFORMATION AND IS SUBJECT TO CHANGE WITHOUT NOTICE.



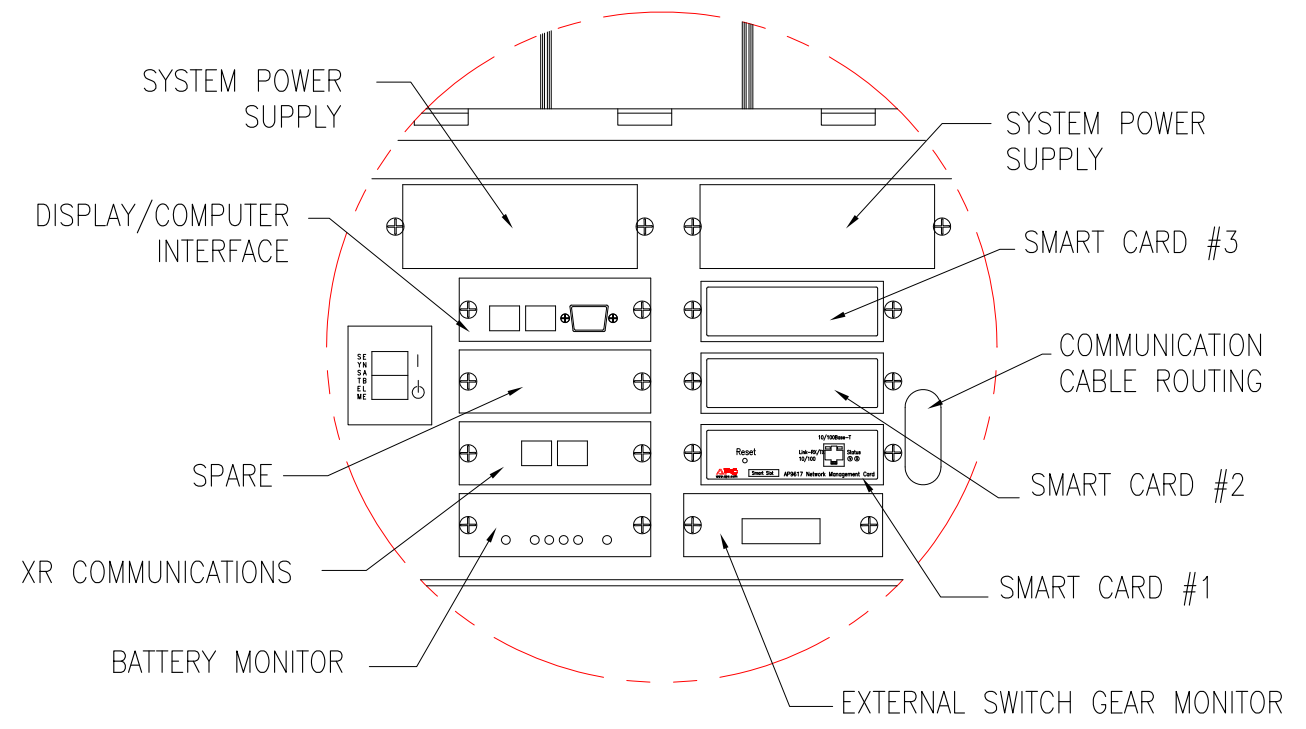
TITLE:
InfraStruXure 20kW SYSTEM
208VAC, 3Ø, 1x20kW (N+1)
BOTTOM VIEW

PROJECT: STD SUBMITTAL DRAWING SHEET: 2 OF 5

DWG NO:	ISX20K20F	REV.	3
DRAWN:	JAYPRAKASH/S CUNHA	02-OCT-14	THIRD ANGLE PROJ
ENGINEER:	J RING/F DIOSA	11-AUG-05	
APPROVED:	R HANSEN/E SILVA	11-AUG-05	



FRONT VIEW
(DOOR REMOVED)



NOTES:

1. INSTALLATION SHALL COMPLY WITH ALL APPLICABLE NATIONAL, STATE AND LOCAL CODES.
2. PLEASE REFER TO PRODUCT DOCUMENTATION FOR FURTHER INFORMATION.
3. SOME STRUCTURAL DETAILS HAVE BEEN OMITTED FOR CLARITY.

THIS DRAWING AND SPECIFICATIONS HEREIN ARE THE PROPERTY OF SCHNEIDER ELECTRIC AND SHALL NOT BE COPIED, REPRODUCED OR USED IN WHOLE OR IN PART, AS THE BASIS FOR THE MANUFACTURE OR SALE OF ITEMS WITHOUT WRITTEN PERMISSION FROM SCHNEIDER ELECTRIC. THIS DRAWING IS BASED UPON LATEST AVAILABLE INFORMATION AND IS SUBJECT TO CHANGE WITHOUT NOTICE.

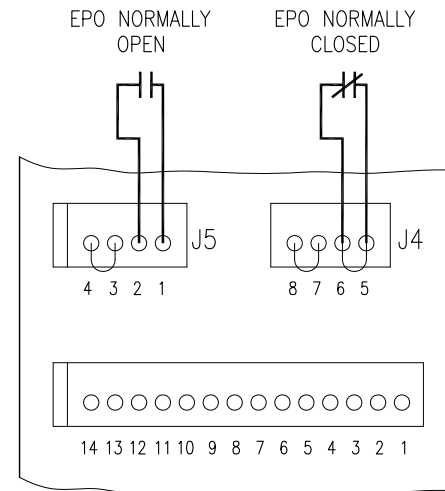


TITLE:
InfraStruXure 20kW SYSTEM
208VAC, 3Ø, 1x20kW (N+1)
INTERNAL FRONT VIEW

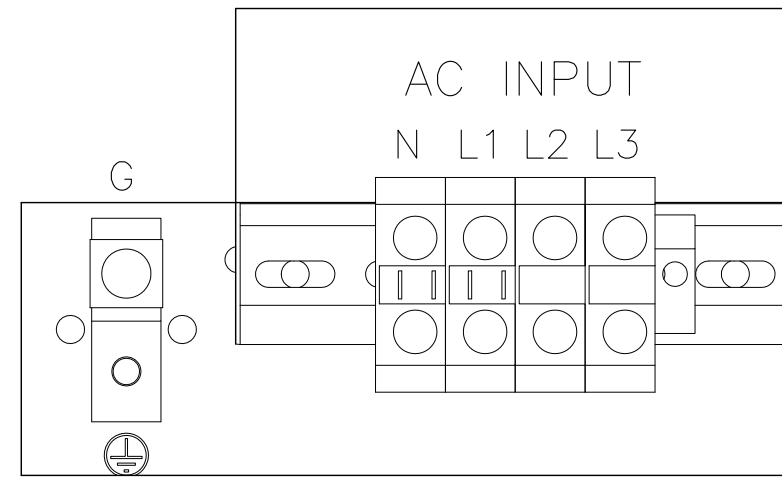
PROJECT: STD SUBMITTAL DRAWING SHEET: 3 OF 5

DWG NO:	ISX20K20F	REV.	3
DRAWN:	JAYPRAKASH/S CUNHA	02-OCT-14	
ENGINEER:	J RING/F DIOSA	11-AUG-05	THIRD ANGLE PROJ
APPROVED:	R HANSEN/E SILVA	11-AUG-05	

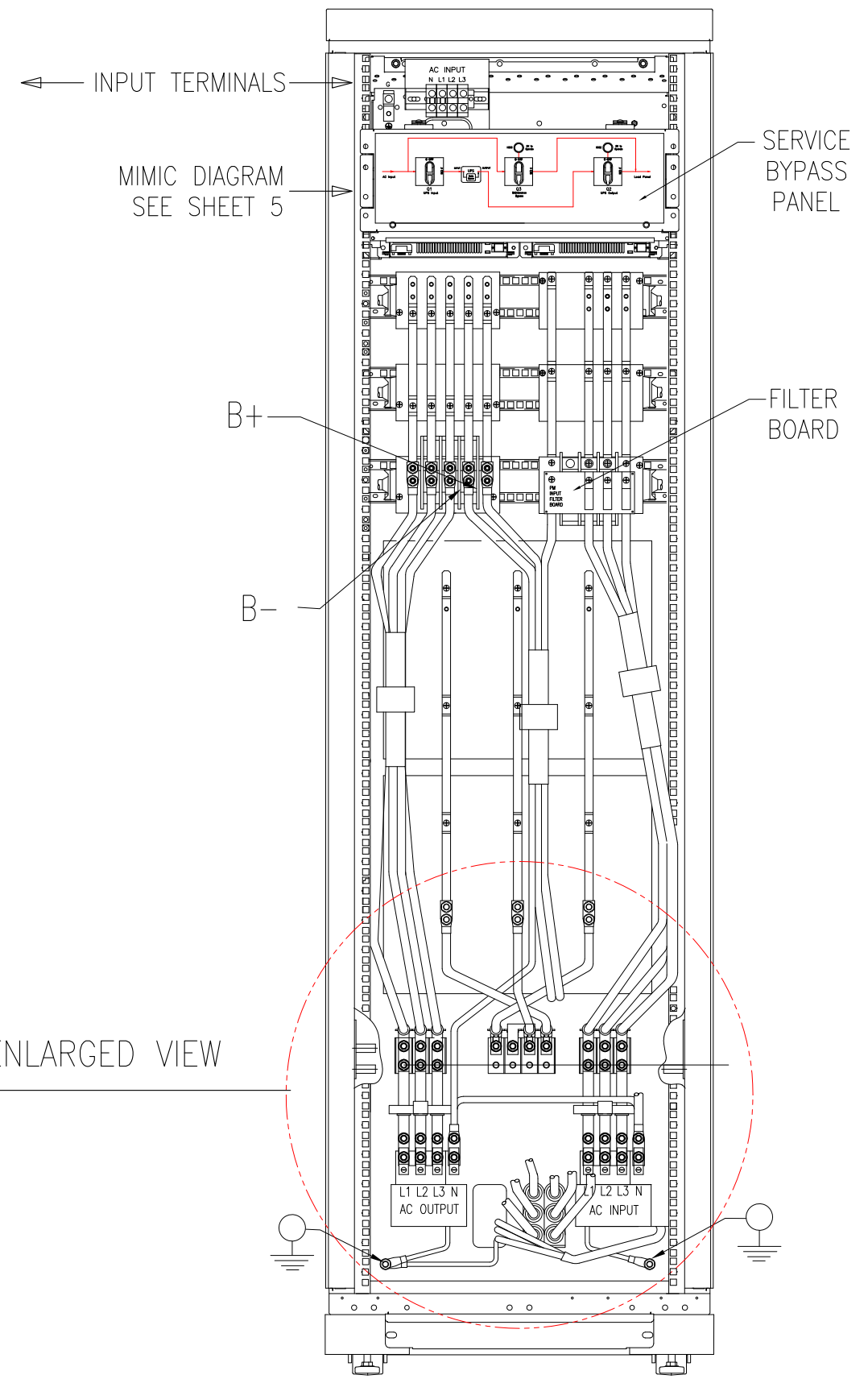
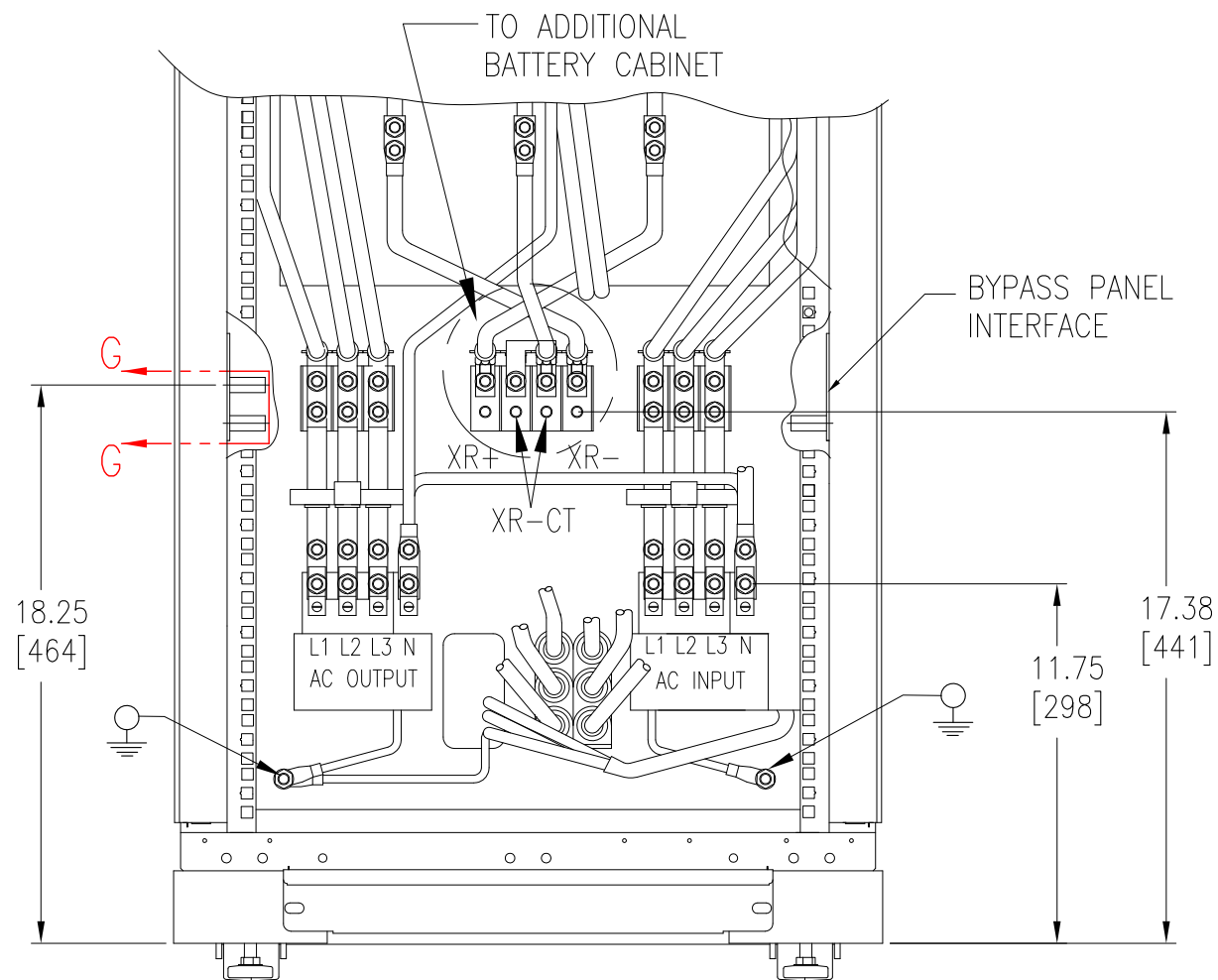
CONNECT AN EXTERNAL SET OF CONTACTS TO THE EXTERNAL SWITCHGEAR BOARD AS BELOW



SECTION G-G ENLARGED
(EPO INTERFACE)



INPUT TERMINAL BLOCK AND GROUND TERMINAL ENLARGED VIEW



ENLARGED VIEW

REAR VIEW
(PANEL REMOVED)

NOTES:

1. INSTALLATION SHALL COMPLY WITH ALL APPLICABLE NATIONAL, STATE AND LOCAL CODES.
2. PLEASE REFER TO PRODUCT DOCUMENTATION FOR FURTHER INFORMATION.
3. UNLESS OTHERWISE SPECIFIED, ALL DIMENSIONS ARE IN INCHES [MILLIMETERS].
4. SOME STRUCTURAL DETAILS HAVE BEEN OMITTED FOR CLARITY.
5. WIRING CONFUGRATION SHOWN IS FOR REFERANCE ONLY.

THIS DRAWING AND SPECIFICATIONS HEREIN ARE THE PROPERTY OF SCHNEIDER ELECTRIC AND SHALL NOT BE COPIED, REPRODUCED OR USED IN WHOLE OR IN PART, AS THE BASIS FOR THE MANUFACTURE OR SALE OF ITEMS WITHOUT WRITTEN PERMISSION FROM SCHNEIDER ELECTRIC. THIS DRAWING IS BASED UPON LATEST AVAILABLE INFORMATION AND IS SUBJECT TO CHANGE WITHOUT NOTICE.



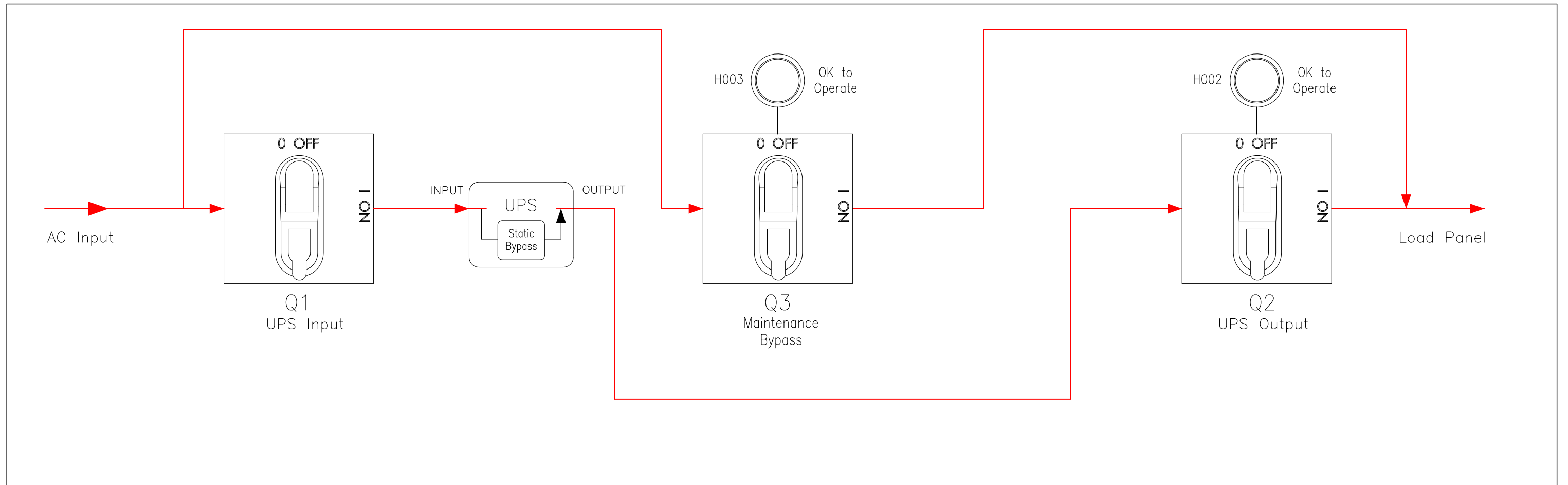
TITLE:
InfraStruXure 20kW SYSTEM
208VAC, 3Ø, 1x20kW (N+1)
INTERNAL REAR VIEW

PROJECT: STD SUBMITTAL DRAWING SHEET: 4 OF 5

DWG NO: **ISX20K20F**

DRAWN: JAYPRAKASH/S CUNHA 02-OCT-14
ENGINEER: J RING/F DIOSA 11-AUG-05
APPROVED: R HANSEN/E SILVA 11-AUG-05

REV. 4
THIRD ANGLE PROJ



MIMIC DIAGRAM

NOTES:

1. INSTALLATION SHALL COMPLY WITH ALL APPLICABLE NATIONAL, STATE AND LOCAL CODES.
2. PLEASE REFER TO PRODUCT DOCUMENTATION FOR FURTHER INFORMATION.

THIS DRAWING AND SPECIFICATIONS HEREIN ARE THE PROPERTY OF SCHNEIDER ELECTRIC AND SHALL NOT BE COPIED, REPRODUCED OR USED IN WHOLE OR IN PART, AS THE BASIS FOR THE MANUFACTURE OR SALE OF ITEMS WITHOUT WRITTEN PERMISSION FROM SCHNEIDER ELECTRIC. THIS DRAWING IS BASED UPON LATEST AVAILABLE INFORMATION AND IS SUBJECT TO CHANGE WITHOUT NOTICE.



TITLE: InfraStruXure 20kW SYSTEM 208VAC, 3Ø, 1x20kW (N+1) MIMIC DIAGRAM		DWG NO: ISX20K20F	REV. 4
PROJECT: STD SUBMITTAL DRAWING	SHEET: 5 OF 5	DRAWN: JAYPRAKASH/S CUNHA	02-OCT-14
		ENGINEER: J RING/F DIOSA	11-AUG-05
		APPROVED: R HANSEN/E SILVA	11-AUG-05