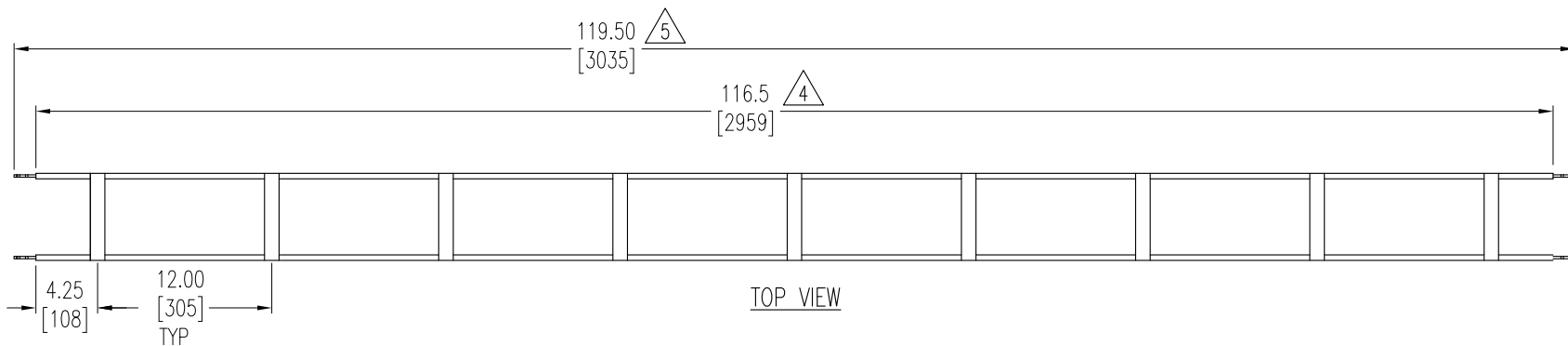
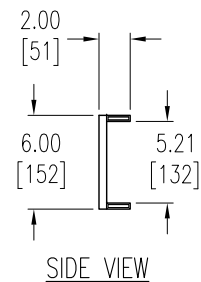


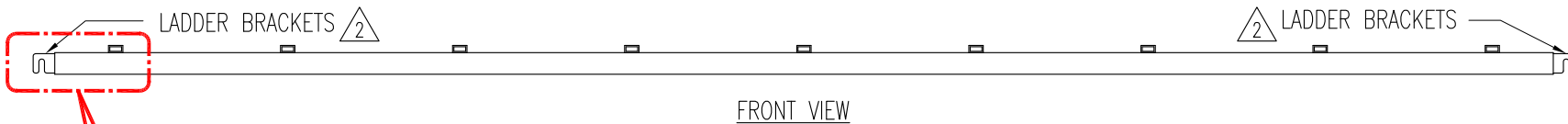
ISOMETRIC VIEW



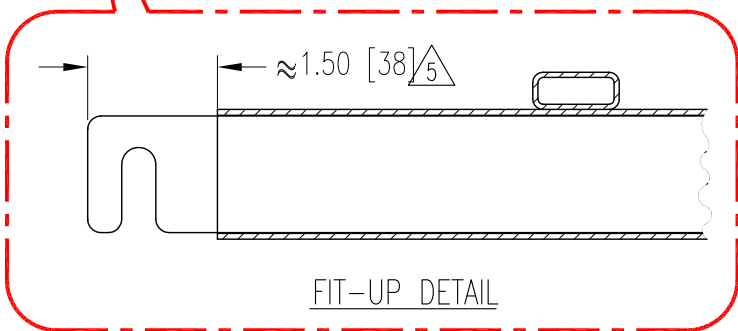
TOP VIEW



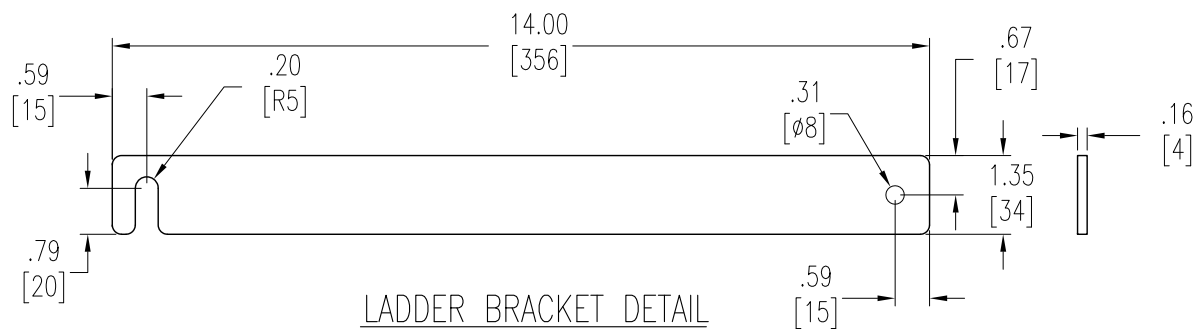
SIDE VIEW



FRONT VIEW



FIT-UP DETAIL



LADDER BRACKET DETAIL

NOTES:

- 1. INSTALLATION SHALL COMPLY WITH ALL APPLICABLE NATIONAL AND LOCAL CODES.
- △ 2. SEE PRODUCT DOCUMENTATION FOR FURTHER INFORMATION & INSTALLATION OPTIONS.
- 3. UNLESS OTHERWISE SPECIFIED, ALL DIMENSIONS ARE IN INCHES [MILLIMETERS].
- △ 4. MANUFACTURED LENGTH; FINAL IS CUT TO ORDER.
- △ 5. THESE DIMENSIONS MAY VARY.

THIS DRAWING AND SPECIFICATIONS HEREIN ARE THE PROPERTY OF SCHNEIDER ELECTRIC AND SHALL NOT BE COPIED, REPRODUCED OR USED IN WHOLE OR IN PART, AS THE BASIS FOR THE MANUFACTURE OR SALE OF ITEMS WITHOUT WRITTEN PERMISSION FROM SCHNEIDER ELECTRIC. THIS DRAWING IS BASED UPON LATEST AVAILABLE INFORMATION AND IS SUBJECT TO CHANGE WITHOUT NOTICE.



TITLE:  
6" [152mm] CABLE SUPPORT LADDER  
MAIN MECHANICAL

PROJECT: DRAWINGS SHEET 1 OF 1

DWG NO: **AR8164ABLK**

DRAWN BY: M CRAVEN/S CUNHA	16-JUN-14
ENGINEER: J KUMMER	16-JUN-14
APPROVED BY: J KUMMER	16-JUN-14

REV **6**  
PROJ ANGLE N/A