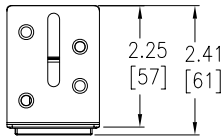
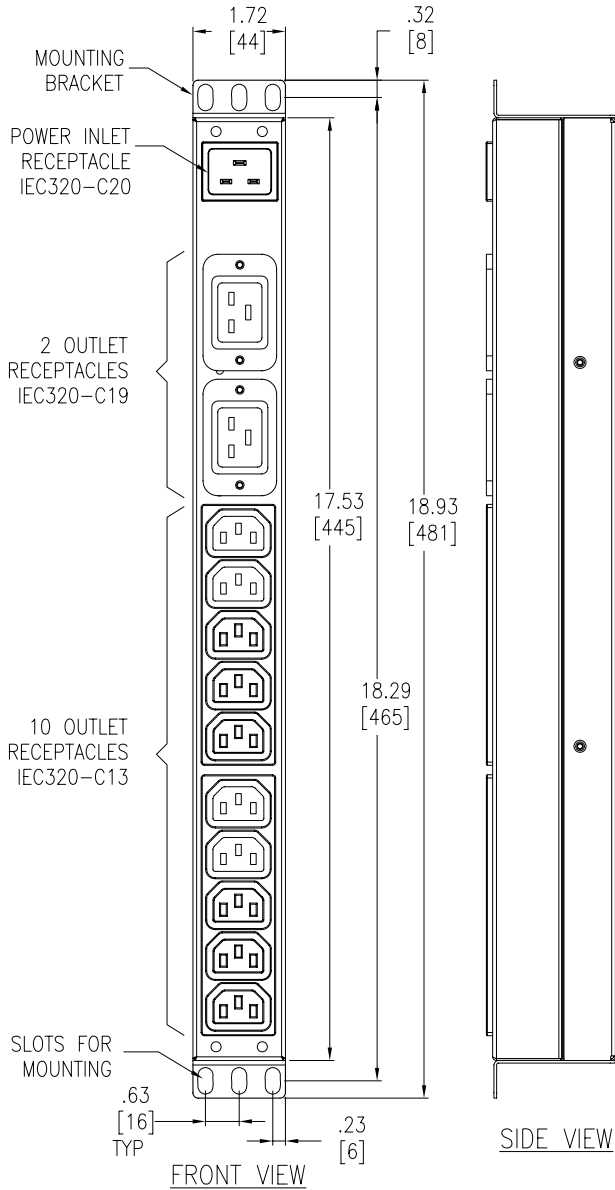


MOUNTING OPTION-1

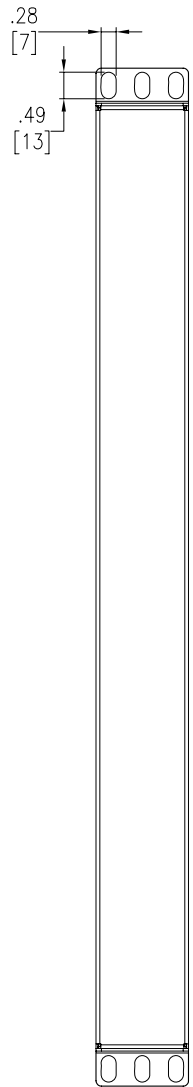


TOP VIEW

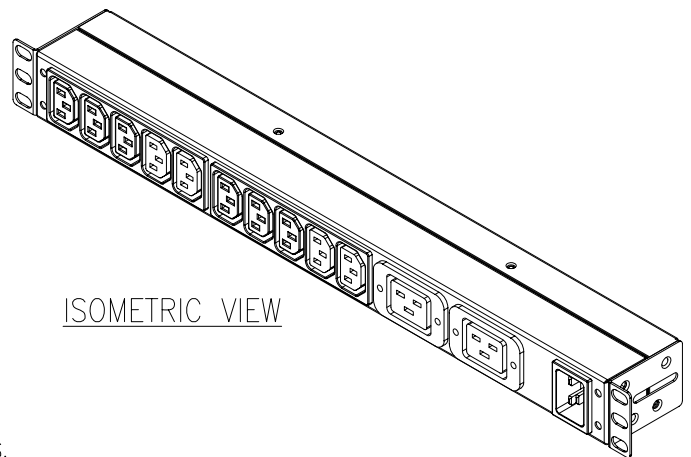


FRONT VIEW

SIDE VIEW



REAR VIEW



ISOMETRIC VIEW

NOTES:

1. ALL DIMENSIONS ARE IN INCHES [MILLIMETERS].
2. NET WEIGHT IS 2.15 LBS [0.98 kg]
3. LENGTH OF THE CORD IS 98.50 INCHES [2500 mm].
4. INSTALLATION MUST COMPLY WITH ALL APPLICABLE NATIONAL AND LOCAL CODES.

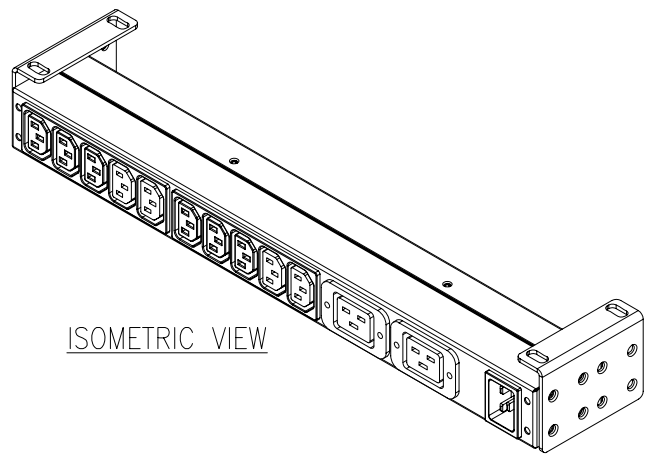
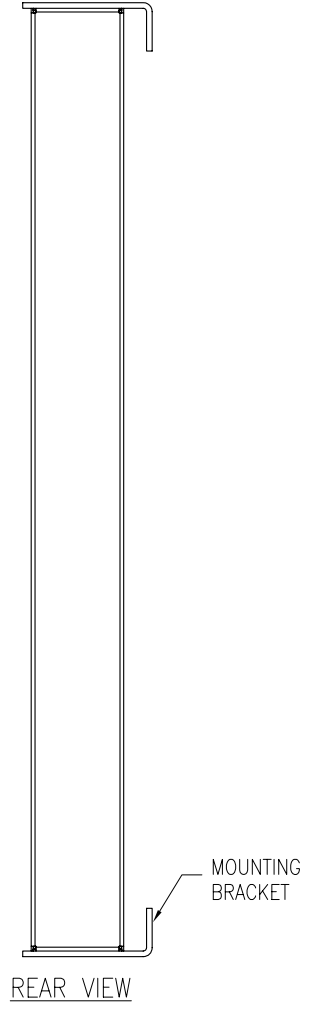
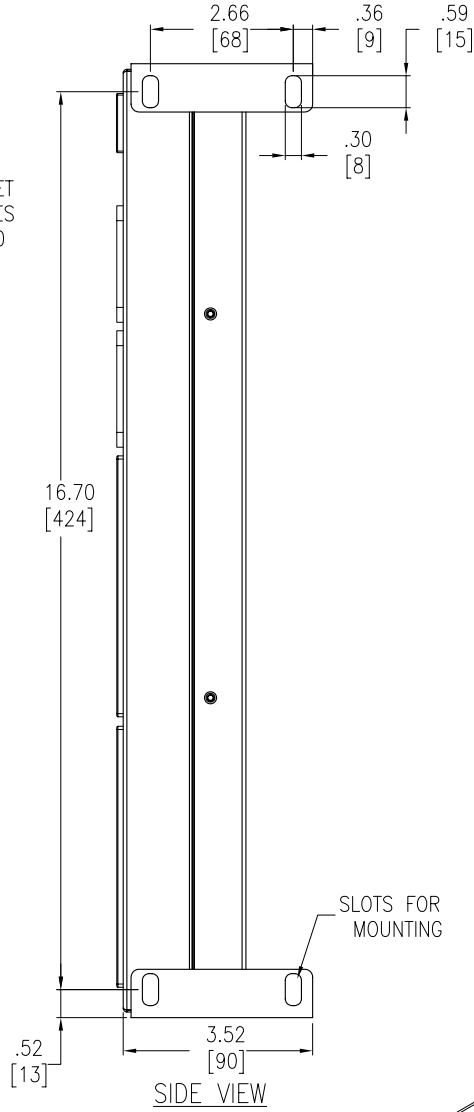
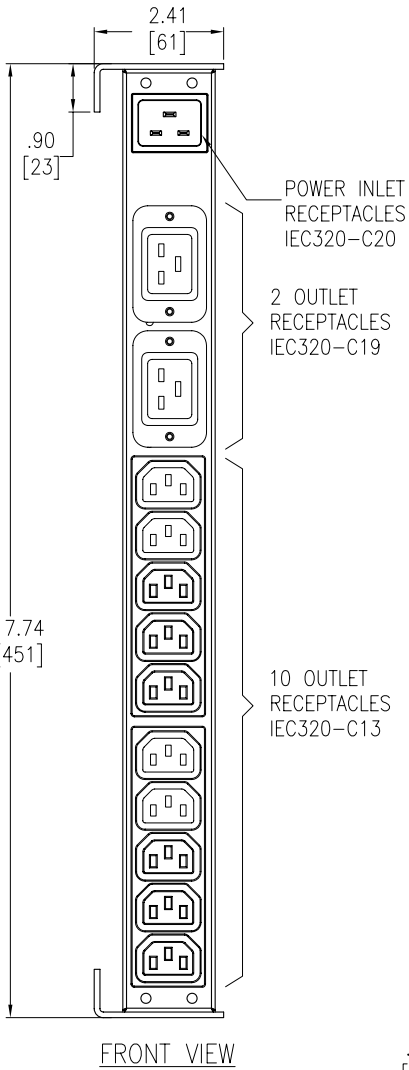
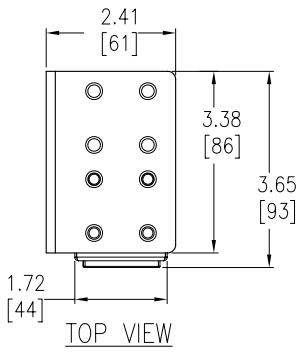
THIS DRAWING AND SPECIFICATIONS HEREIN ARE THE PROPERTY OF AMERICAN POWER CONVERSION AND SHALL NOT BE COPIED, REPRODUCED OR USED IN WHOLE OR IN PART, AS THE BASIS FOR THE MANUFACTURE OR SALE OF ITEMS WITHOUT WRITTEN PERMISSION FROM APC. THIS DRAWING IS BASED UPON LATEST AVAILABLE INFORMATION AND IS SUBJECT TO CHANGE WITHOUT NOTICE.



TITLE: RACK PDU, BASIC
 1U, 16A, 120/208/230V, INPUT: IEC320-C20
 OUTPUT: (10) IEC320-C13 & (2) IEC320-C19
 MAIN MECHANICAL, MOUNTING OPTION-1

DWG NO:	AP9559		REV:	4
DRAWN:	JAYAPRAKASH	22-FEB-08	THIRD	
ENGINEER:	T.HORSTMANN	23-FEB-08	ANGLE	
APPROVED:	B.SHERIDAN/E.SILVA	23-FEB-08	PROJECTION	

MOUNTING OPTION-2



NOTES:

1. ALL DIMENSIONS ARE IN INCHES [MILLIMETERS].
2. NET WEIGHT IS 2.15 LBS [0.98 kg]
3. LENGTH OF THE CORD IS 98.50 INCHES [2500 mm].
4. INSTALLATION MUST COMPLY WITH ALL APPLICABLE NATIONAL AND LOCAL CODES.

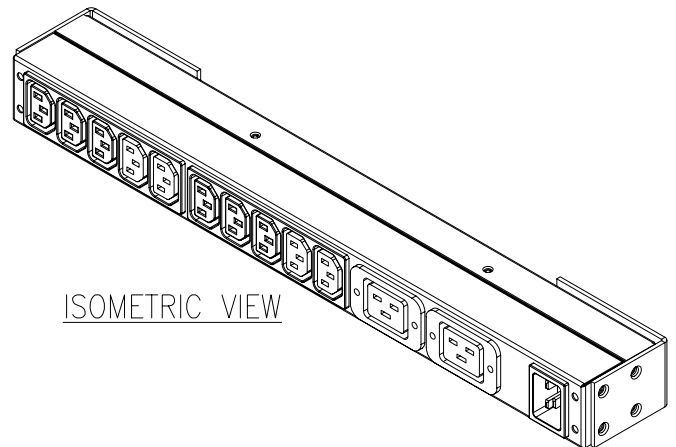
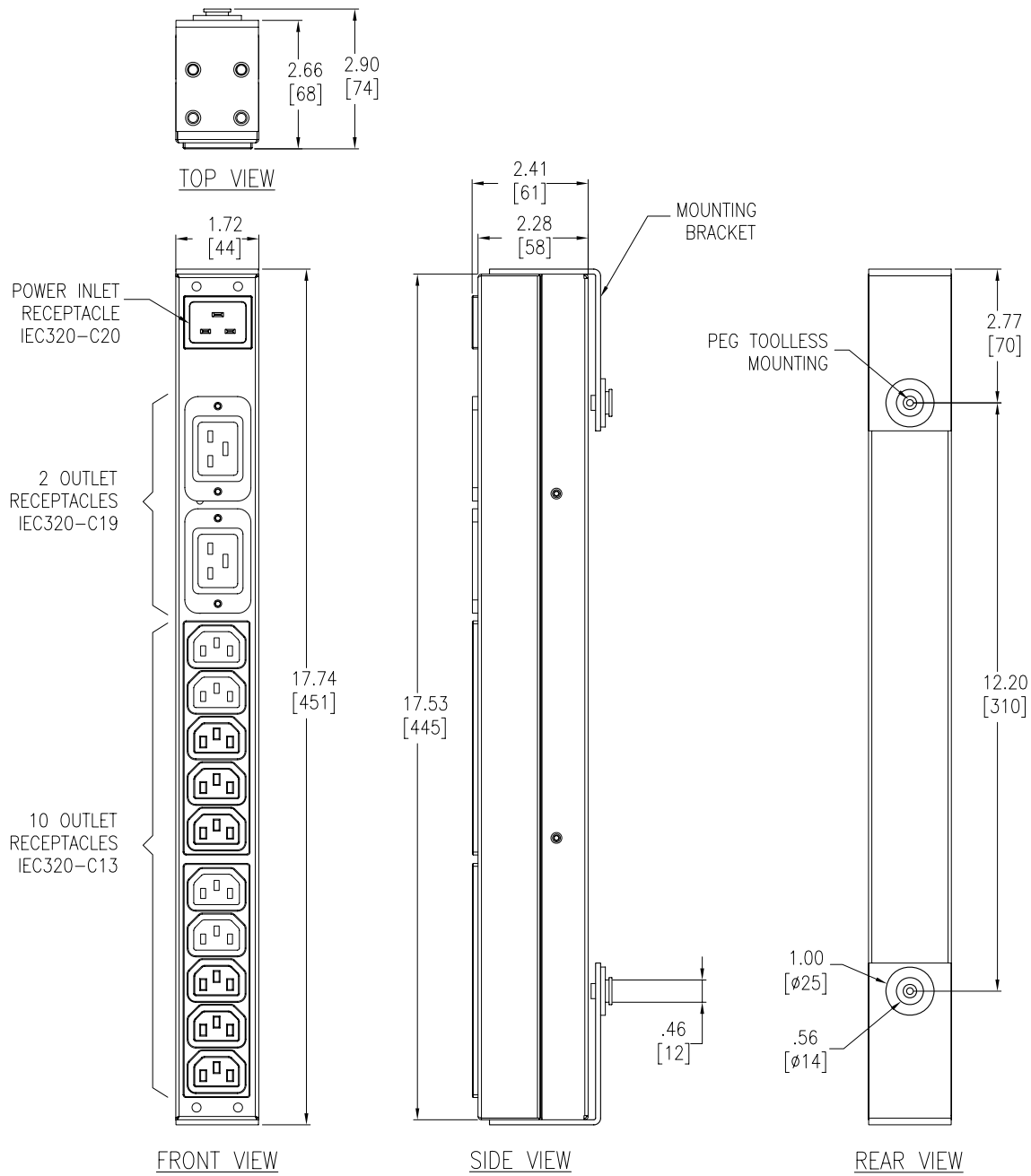
THIS DRAWING AND SPECIFICATIONS HEREIN ARE THE PROPERTY OF AMERICAN POWER CONVERSION AND SHALL NOT BE COPIED, REPRODUCED OR USED IN WHOLE OR IN PART, AS THE BASIS FOR THE MANUFACTURE OR SALE OF ITEMS WITHOUT WRITTEN PERMISSION FROM APC. THIS DRAWING IS BASED UPON LATEST AVAILABLE INFORMATION AND IS SUBJECT TO CHANGE WITHOUT NOTICE.



TITLE: RACK PDU, BASIC
 1U, 16A, 120/208/230V, INPUT: IEC320-C20
 OUTPUT: (10) IEC320-C13 & (2) IEC320-C19
 MAIN MECHANICAL, MOUNTING OPTION-2

DWG NO:	AP9559		REV:	4
DRAWN:	JAYAPRAKASH	22-FEB-08	THIRD	
ENGINEER:	T.HORSTMANN	23-FEB-08	ANGLE	
APPROVED:	B.SHERIDAN/E.SILVA	23-FEB-08	PROJECTION	

MOUNTING OPTION-3



NOTES:

1. ALL DIMENSIONS ARE IN INCHES [MILLIMETERS].
2. NET WEIGHT IS 2.15 LBS [0.98 kg]
3. LENGTH OF THE CORD IS 98.50 INCHES [2500 mm].
4. INSTALLATION MUST COMPLY WITH ALL APPLICABLE NATIONAL AND LOCAL CODES.

THIS DRAWING AND SPECIFICATIONS HEREIN ARE THE PROPERTY OF AMERICAN POWER CONVERSION AND SHALL NOT BE COPIED, REPRODUCED OR USED IN WHOLE OR IN PART, AS THE BASIS FOR THE MANUFACTURE OR SALE OF ITEMS WITHOUT WRITTEN PERMISSION FROM APC. THIS DRAWING IS BASED UPON LATEST AVAILABLE INFORMATION AND IS SUBJECT TO CHANGE WITHOUT NOTICE.



TITLE:
 RACK PDU, BASIC
 1U, 16A, 120/208/230V, INPUT: IEC320-C20
 OUTPUT: (10) IEC320-C13 & (2) IEC320-C19
 MAIN MECHANICAL, MOUNTING OPTION-3

DWG NO:	AP9559		REV:	4
DRAWN:	JAYAPRAKASH	22-FEB-08	THIRD	
ENGINEER:	T.HORSTMANN	23-FEB-08	ANGLE	
APPROVED:	B.SHERIDAN/E.SILVA	23-FEB-08	PROJECTION	

PROJECT: SUBMITTAL DRAWINGS **SHEET 3 OF 3**