

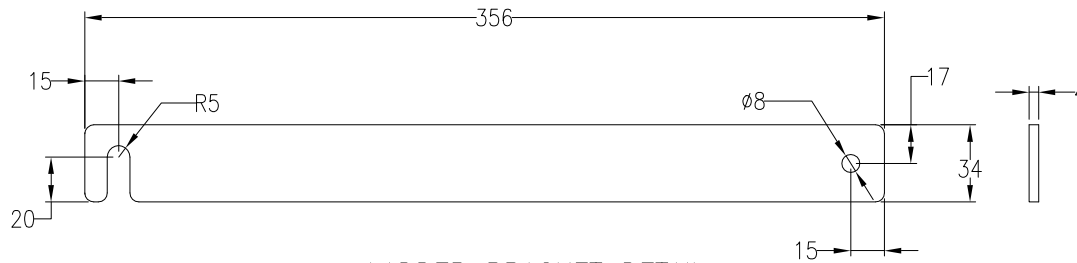
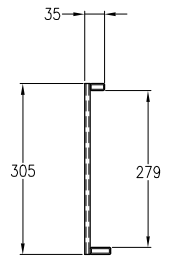
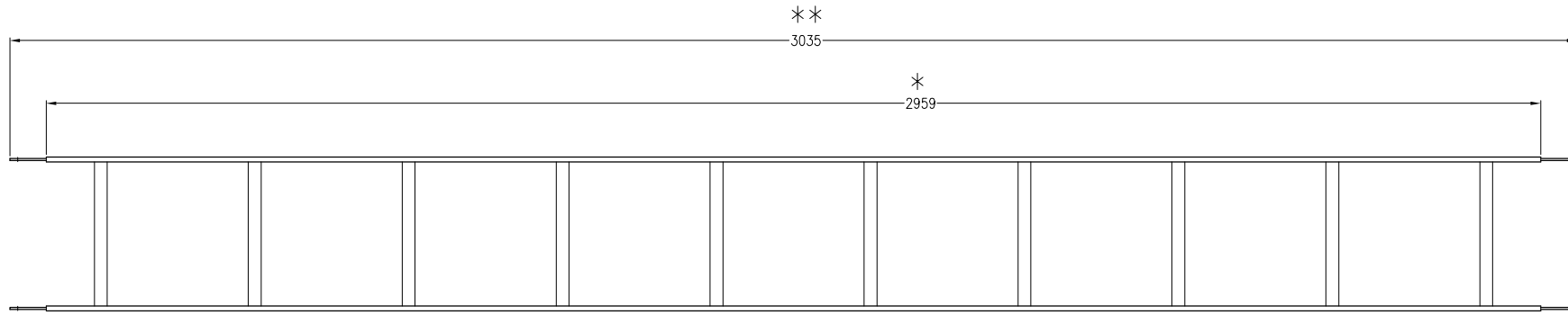
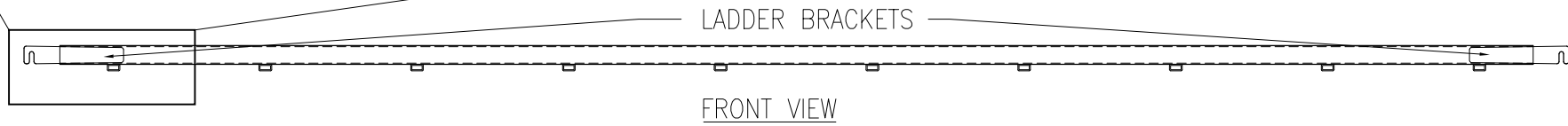
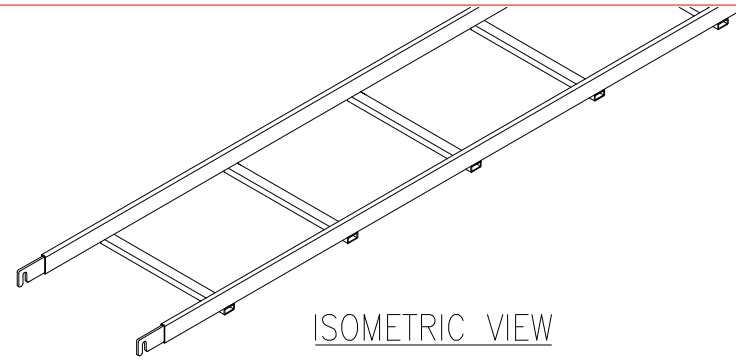
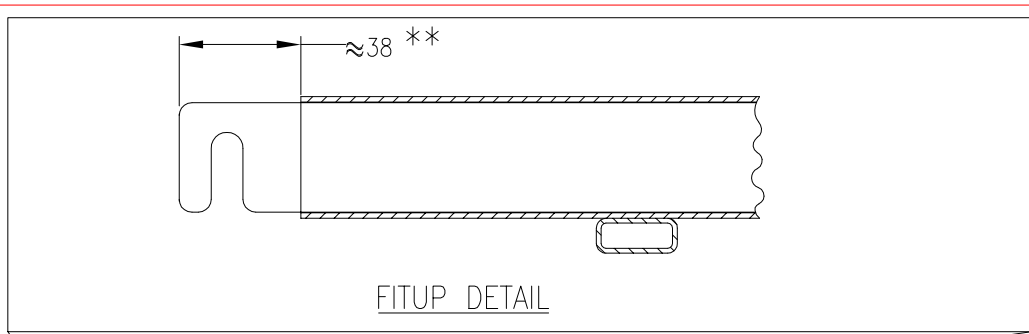
NOTES:  
 ALL DIMENSIONS ARE IN MILLIMETERS.

- \* MANUFACTURED LENGTH: FINAL LENGTH IS CUT TO ORDER.
- \*\* THESE DIMENSIONS MAY VARY.

LADDER BRACKET DETAIL

THIS DRAWING AND SPECIFICATIONS HEREIN ARE THE PROPERTY OF AMERICAN POWER CONVERSION AND SHALL NOT BE COPIED, REPRODUCED OR USED IN WHOLE OR IN PART, AS THE BASIS FOR THE MANUFACTURE OR SALE OF ITEMS WITHOUT WRITTEN PERMISSION FROM APC. THIS DRAWING IS BASED UPON LATEST AVAILABLE INFORMATION AND IS SUBJECT TO CHANGE WITHOUT NOTICE.		TITLE: InfraStruXure MECHANICAL DETAIL CABLE SUPPORT LADDER-6"		DWG NO: AR8164BLK	REV. 1
		PROJECT: SUBMITTAL DRAWING	SHEET 1 OF 1	DRAWN BY: BALAMURUGAN CHECKED BY: M SALOKHE ENGINEER: S WAGH	03/03/03 03/03/03 03/03/03





NOTES:

ALL DIMENSIONS ARE IN MILLIMETERS.

\* MANUFACTURED LENGTH: FINAL LENGTH IS CUT TO ORDER.

\*\* THESE DIMENSIONS MAY VARY.

THIS DRAWING AND SPECIFICATIONS HEREIN ARE THE PROPERTY OF AMERICAN POWER CONVERSION AND SHALL NOT BE COPIED, REPRODUCED OR USED IN WHOLE OR IN PART, AS THE BASIS FOR THE MANUFACTURE OR SALE OF ITEMS WITHOUT WRITTEN PERMISSION FROM APC. THIS DRAWING IS BASED UPON LATEST AVAILABLE INFORMATION AND IS SUBJECT TO CHANGE WITHOUT NOTICE.

TITLE: InfraStruXure MECHANICAL DETAIL CABLE SUPPORT LADDER-12"		DWG NO: AR8165BLK	REV. 1
DRAWN BY: BALAMURUGAN	03/03/03	CHECKED BY: M SALOKHE	03/03/03
PROJECT: SUBMITTAL DRAWING	SHEET 1 OF 1	ENGINEER: S WACH	03/03/03

PROJECTION

AMERICAN POWER CONVERSION  
132 FARBGROUNDS RD  
WEST KINGSTON, RI 02892