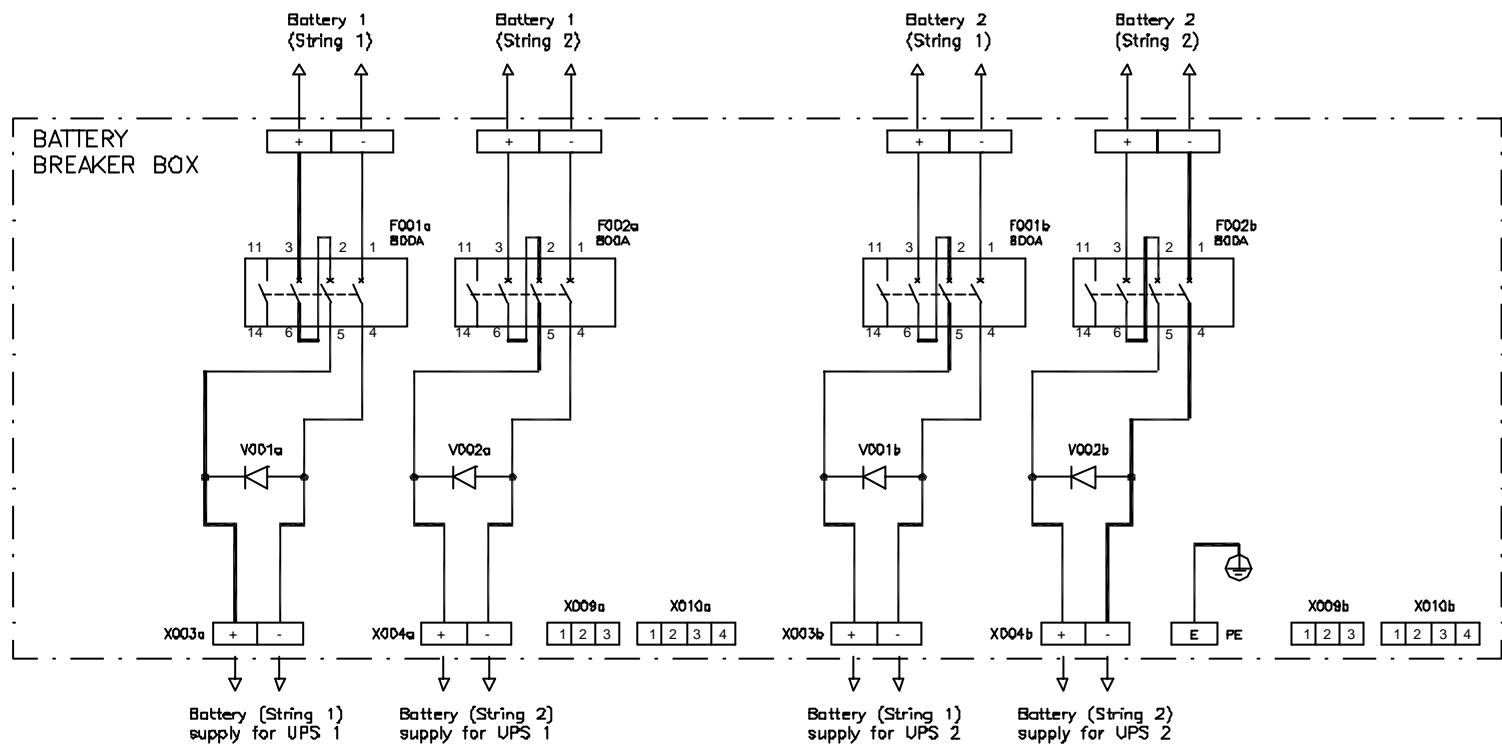
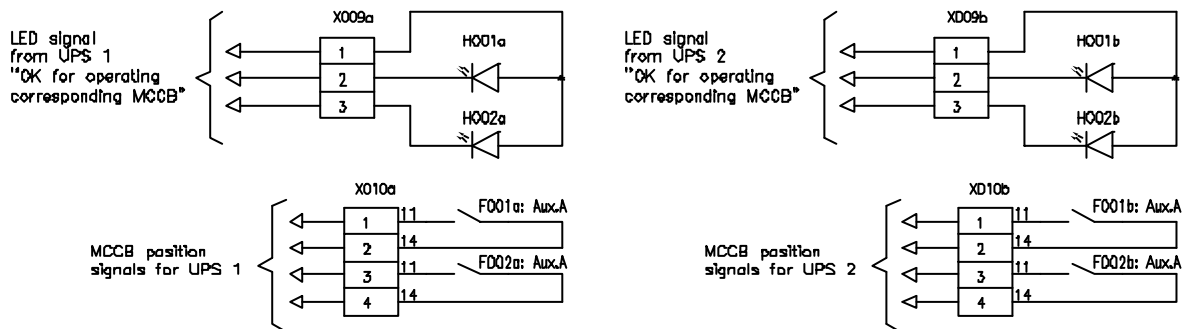


POWER CIRCUIT



CONTROL CIRCUIT



THIS DRAWING AND SPECIFICATIONS HEREIN ARE THE PROPERTY OF AMERICAN POWER CONVERSION AND SHALL NOT BE COPIED, REPRODUCED OR USED IN WHOLE OR IN PART, AS THE BASIS FOR THE MANUFACTURE OR SALE OF ITEMS WITHOUT WRITTEN PERMISSION FROM APC. THIS DRAWING IS BASED UPON LATEST AVAILABLE INFORMATION AND IS SUBJECT TO CHANGE WITHOUT NOTICE.

TITLE: SILICON 480kW UPS
ELECTRICAL SCHEMATIC FOR
BATTERY BREAKER BOX
40DV, 2 MOD

DWG NO: SBBJ480KHC2-ES

DRAWN: C.KRISHNAMOORTHY	21/03/02	SCALE: NTS
CHECKED: NILIND S/K KATO	21/03/02	PROJECTION
ENGINEER: S WACH	21/03/02	

REV. -

APC
AMERICAN POWER CONVERSION
112 FARRINGTONS RD
WEST KINGSTON, RI 02892