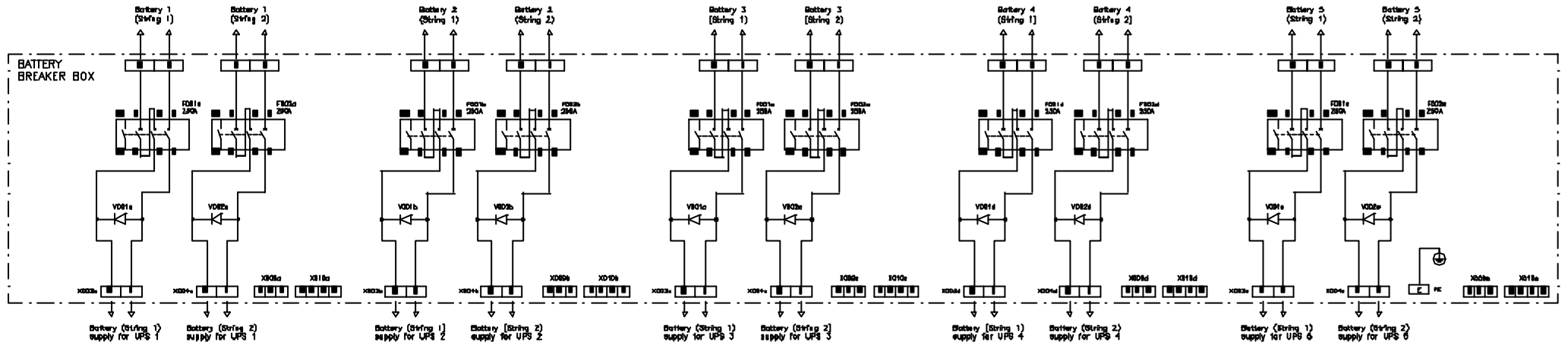
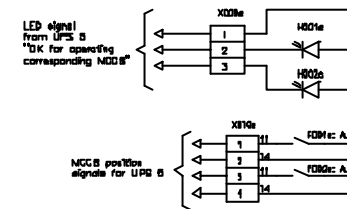
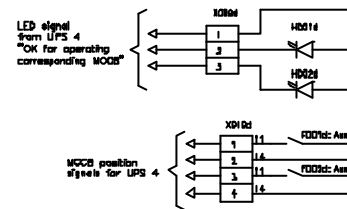
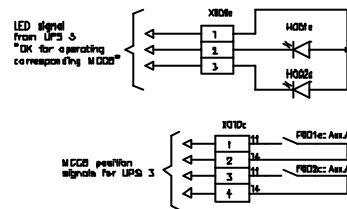
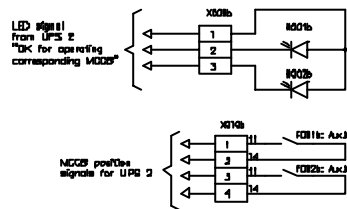
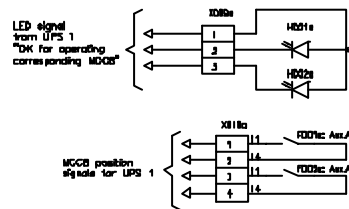


POWER CIRCUIT



CONTROL CIRCUIT



THIS DRAWING AND SPECIFICATIONS HEREIN ARE THE PROPERTY OF AMERICAN POWER CONVERSION AND SHALL NOT BE COPIED, REPRODUCED OR USED IN WHOLE OR IN PART, AS THE BASIS FOR THE MANUFACTURE OR SALE OF ITEMS WITHOUT WRITTEN PERMISSION FROM APC. THIS DRAWING IS BASED UPON LATEST AVAILABLE INFORMATION AND IS SUBJECT TO CHANGE WITHOUT NOTICE.

TITLE: SILICON 160kW UPS  
ELECTRICAL SCHEMATIC FOR  
BATTERY BREAKER BOX  
400V, 5 MOD N+1  
PROJECT: SUBMITTAL DRAWINGS SHEET 1 OF 1

DWG NO: SBBJ160KHR5-ES  
DRAWN: C.KRISHNAMOORTHY  
CHECKED: NILIND S/K KATIO  
ENGINEER: S WACH  
21/03/02  
SCALE: NTS  
PROJECTION  
REV. -

