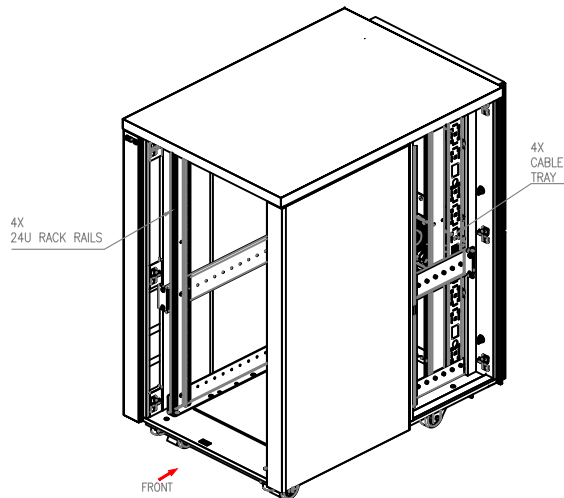
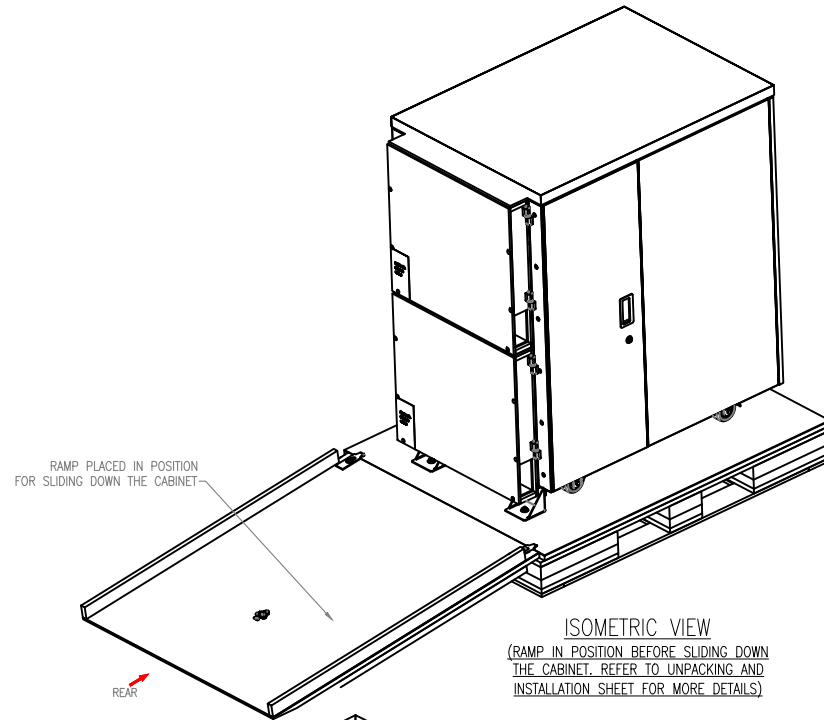
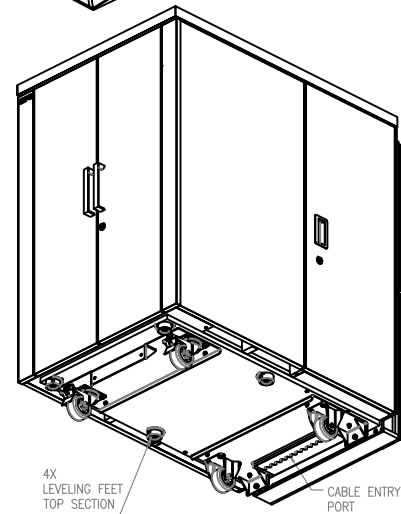


ISOMETRIC VIEW
(ENCLOSURE AS SHIPPED
ON SHOCK PALLET)



ISOMETRIC VIEW
(FRONT DOORS & SIDE PANELS REMOVED)
FRONT DOORS AND SIDE PANELS ARE DETACHABLE



ISOMETRIC BOTTOM VIEW
(LEVELING FEET ARE INCLUDED IN THE ENCLOSURE
AND CAN BE ATTACHED AS SHOWN IN SHEET 5)

NOTES:

1. COMPLY WITH ALL APPLICABLE NATIONAL, STATE AND LOCAL ELECTRICAL REGULATIONS.
2. REFER TO THE PRODUCT DOCUMENTATION FOR ADDITIONAL DETAILS ON UNPACKING PRIOR TO INSTALLATION AND SITE PREPARATION WORK.

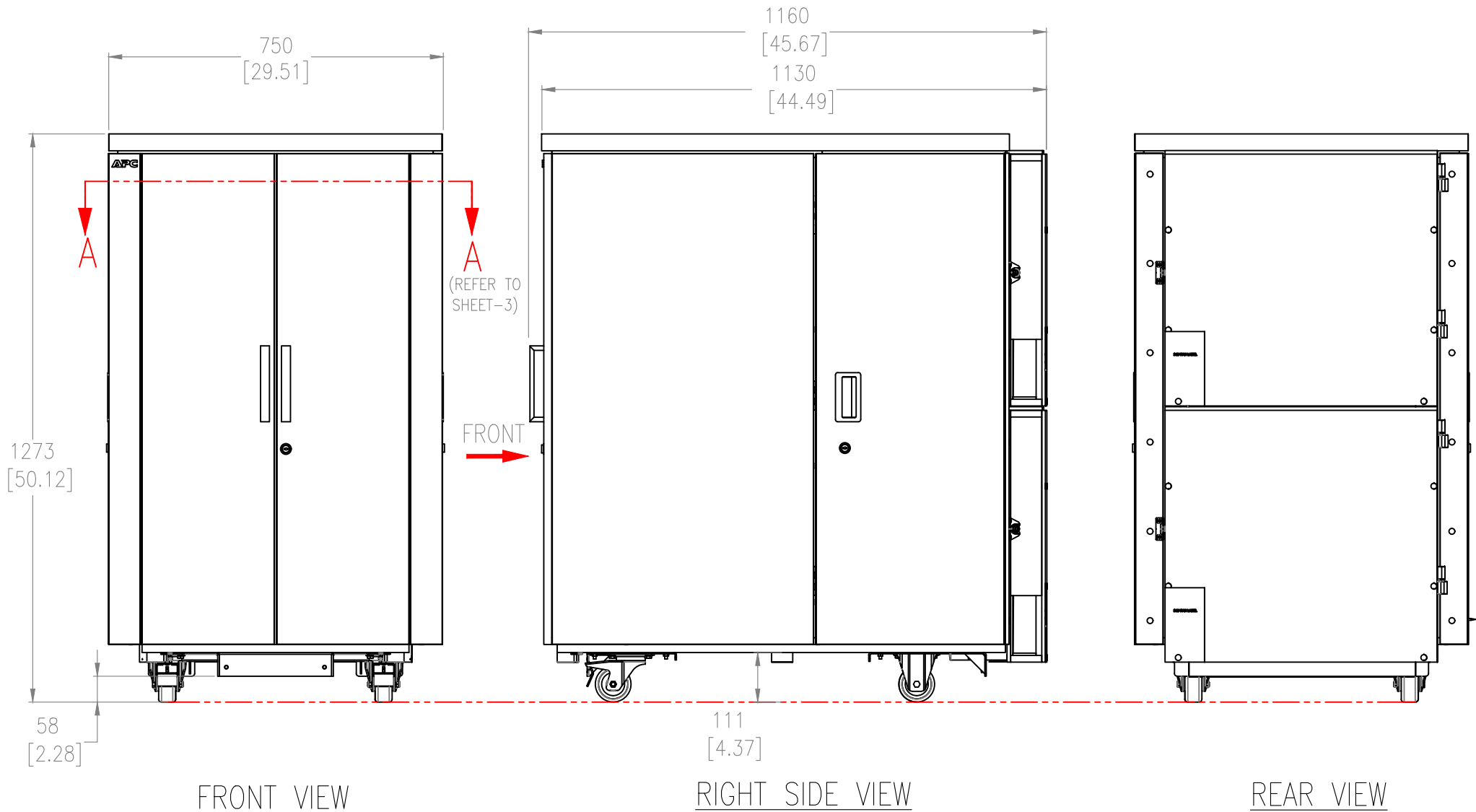
THIS DRAWING AND SPECIFICATIONS HEREIN ARE THE PROPERTY OF SCHNEIDER ELECTRIC AND SHALL NOT BE COPIED, REPRODUCED OR USED IN WHOLE OR IN PART, AS THE BASIS FOR THE MANUFACTURE OR SALE OF ITEMS WITHOUT WRITTEN PERMISSION FROM SCHNEIDER ELECTRIC. THIS DRAWING IS BASED UPON LATEST AVAILABLE INFORMATION AND IS SUBJECT TO CHANGE WITHOUT NOTICE.



TITLE:
NetShelter CX Shock Pallet Enclosure,
24U
750mm WIDEx1130mm DEEP
ISOMETRIC VIEWS

PROJECT: SUBMITTAL DRAWINGS SHEET 1 OF 5

DWG NO:	AR4024SP		REV.	1
DRAWN BY:	A DAVE	10-JAN-18	THIRD	ANGLE
ENGINEER:	A DAVE	10-JAN-18	ANGLE	
APPROVED BY:	S.FITTON	10-JAN-18	PROJECTION	



FRONT VIEW

RIGHT SIDE VIEW

REAR VIEW

NOTES:

1. COMPLY WITH ALL APPLICABLE NATIONAL, STATE AND LOCAL ELECTRICAL REGULATIONS.
2. REFER TO THE PRODUCT DOCUMENTATION FOR ADDITIONAL DETAILS PRIOR TO INSTALLATION AND SITE PREPARATION WORK.
3. ALL DIMENSIONS ARE IN MILLIMETERS [INCHES].
4. MAX INSTALLED EQUIPMENT SHIPPING WEIGHT OF ENCLOSURE IS 362.00 Kg [800 lbs].
5. CABLE ENTRY IS AT BOTTOM OF ENCLOSURE.
6. FRONT AND REAR ACCESS AVAILABLE.
7. ENCLOSURE WHEN SHIPPED DOES NOT HAVE PLINTH AND LEVELING FEET ATTACHED BUT ARE INCLUDED INSIDE THE ENCLOSURE. SEE SHEET 4 FOR DETAILS.

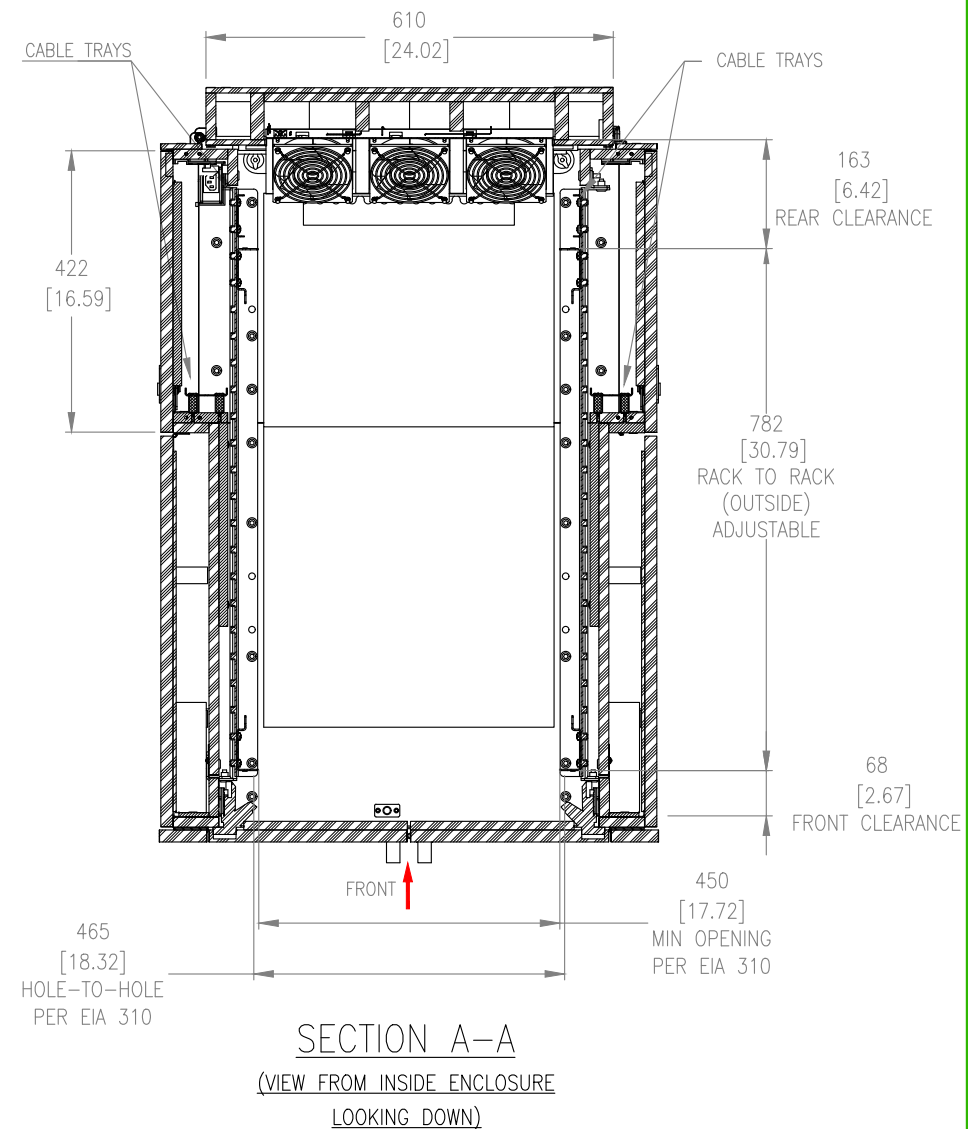
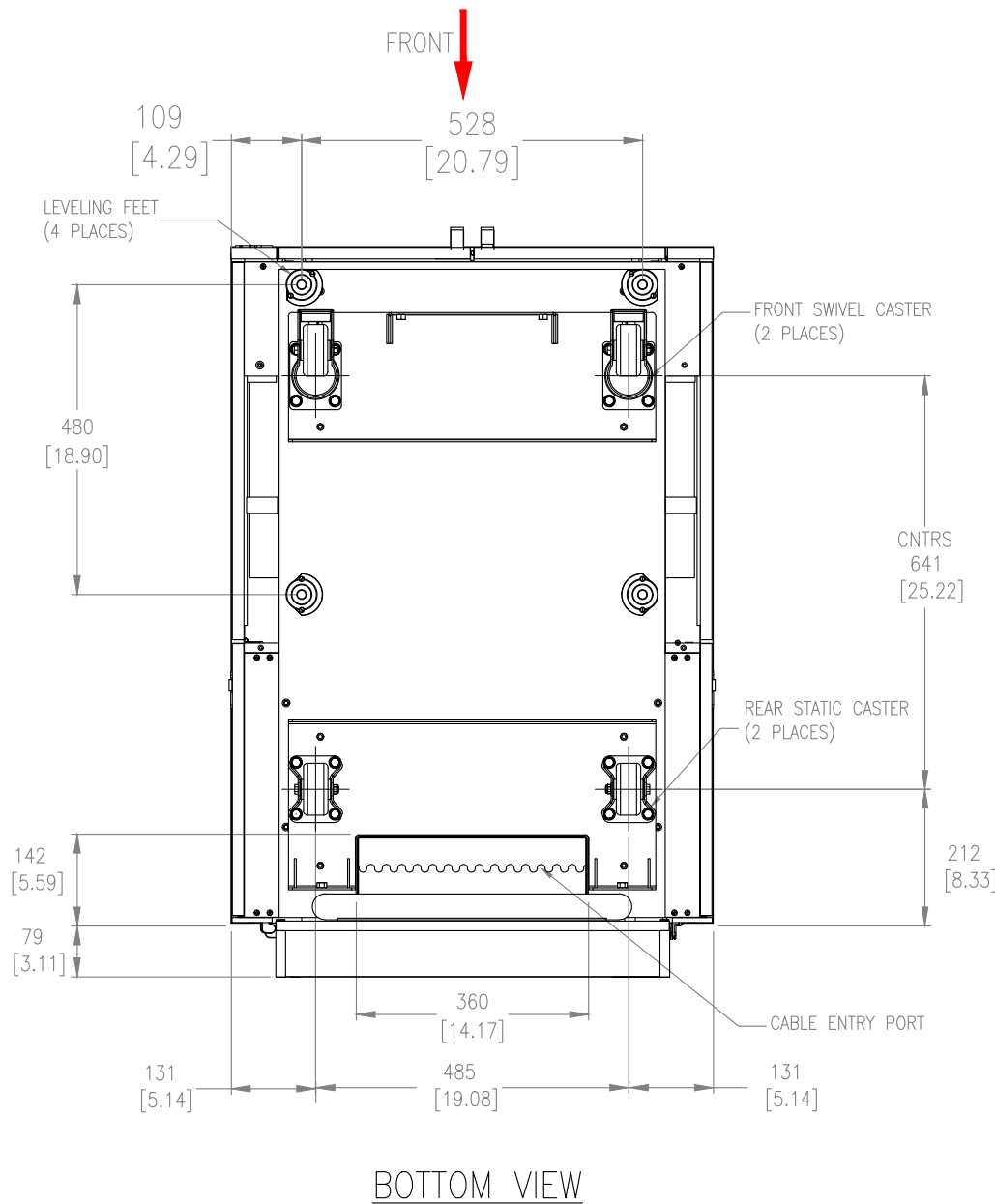
THIS DRAWING AND SPECIFICATIONS HEREIN ARE THE PROPERTY OF SCHNEIDER ELECTRIC AND SHALL NOT BE COPIED, REPRODUCED OR USED IN WHOLE OR IN PART, AS THE BASIS FOR THE MANUFACTURE OR SALE OF ITEMS WITHOUT WRITTEN PERMISSION FROM SCHNEIDER ELECTRIC. THIS DRAWING IS BASED UPON LATEST AVAILABLE INFORMATION AND IS SUBJECT TO CHANGE WITHOUT NOTICE.



TITLE:
NetShelter CX Shock Pallet Enclosure,
24U
750mm WIDE x 1130mm DEEP
MAIN MECHANICAL

PROJECT: SUBMITTAL DRAWINGS SHEET 2 OF 5

DWG NO:	AR4024SP		REV. 1
DRAWN BY:	A.DAVE	10-JAN-18	THIRD
ENGINEER:	A.DAVE	10-JAN-18	ANGLE
APPROVED BY:	S.FITTON	10-JAN-18	PROJECTION



NOTES:

1. COMPLY WITH ALL APPLICABLE NATIONAL, STATE AND LOCAL ELECTRICAL REGULATIONS.
2. REFER TO THE PRODUCT DOCUMENTATION FOR ADDITIONAL DETAILS PRIOR TO INSTALLATION AND SITE PREPARATION WORK.
3. ALL DIMENSIONS ARE IN MILLIMETERS [INCHES].

THIS DRAWING AND SPECIFICATIONS HEREIN ARE THE PROPERTY OF SCHNEIDER ELECTRIC AND SHALL NOT BE COPIED, REPRODUCED OR USED IN WHOLE OR IN PART, AS THE BASIS FOR THE MANUFACTURE OR SALE OF ITEMS WITHOUT WRITTEN PERMISSION FROM SCHNEIDER ELECTRIC. THIS DRAWING IS BASED UPON LATEST AVAILABLE INFORMATION AND IS SUBJECT TO CHANGE WITHOUT NOTICE.

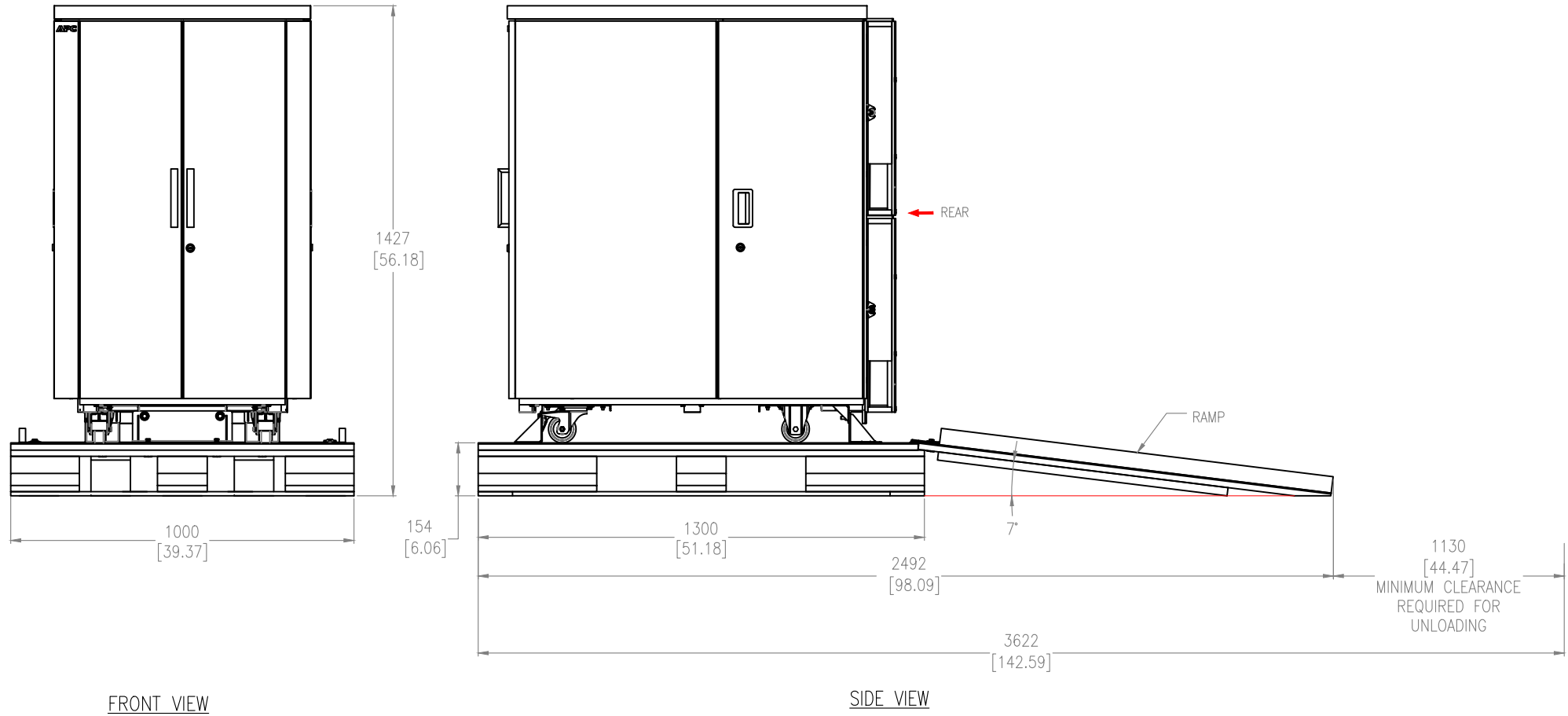


TITLE:
NetShelter CX Shock Pallet Enclosure
24U
750mm WIDEx1130mm DEEP
BOTTOM AND SECTION VIEWS

PROJECT: SUBMITTAL DRAWINGS SHEET 3 OF 5

DWG NO: AR4024SP REV. 1

DRAWN BY:	A.DAVE	10-JAN-18	THIRD
ENGINEER:	A.DAVE	10-JAN-18	ANGLE
APPROVED BY:	S.FITTON	10-JAN-18	PROJECTION



NOTES:

1. COMPLY WITH ALL APPLICABLE NATIONAL, STATE AND LOCAL ELECTRICAL REGULATIONS.
2. REFER TO THE PRODUCT DOCUMENTATION FOR ADDITIONAL DETAILS PRIOR TO INSTALLATION AND SITE PREPARATION WORK.
3. ALL DIMENSIONS ARE IN MILLIMETERS [INCHES].

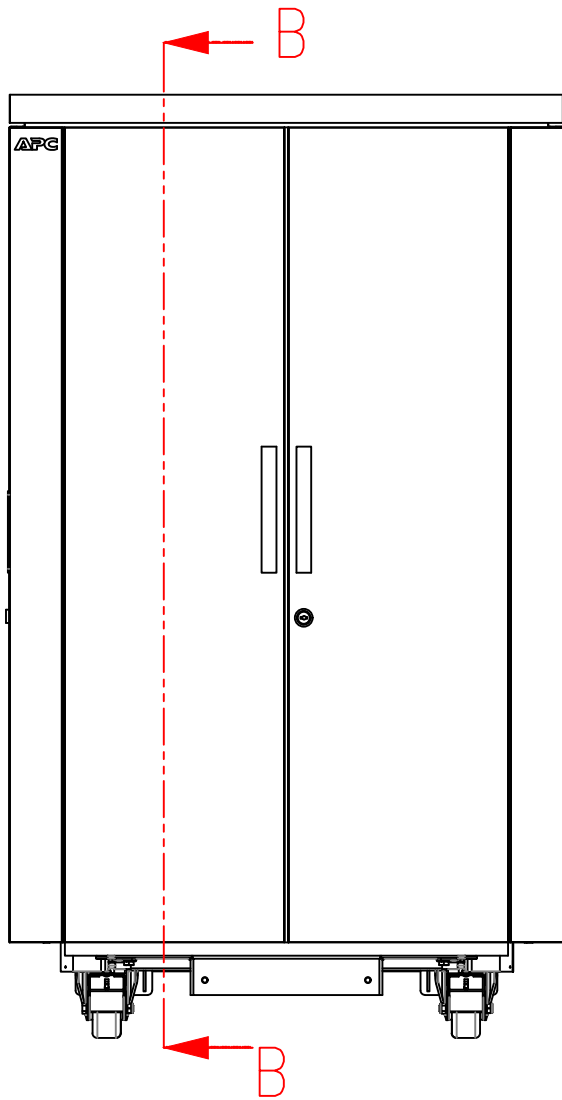
THIS DRAWING AND SPECIFICATIONS HEREIN ARE THE PROPERTY OF SCHNEIDER ELECTRIC AND SHALL NOT BE COPIED, REPRODUCED OR USED IN WHOLE OR IN PART, AS THE BASIS FOR THE MANUFACTURE OR SALE OF ITEMS WITHOUT WRITTEN PERMISSION FROM SCHNEIDER ELECTRIC. THIS DRAWING IS BASED UPON LATEST AVAILABLE INFORMATION AND IS SUBJECT TO CHANGE WITHOUT NOTICE.



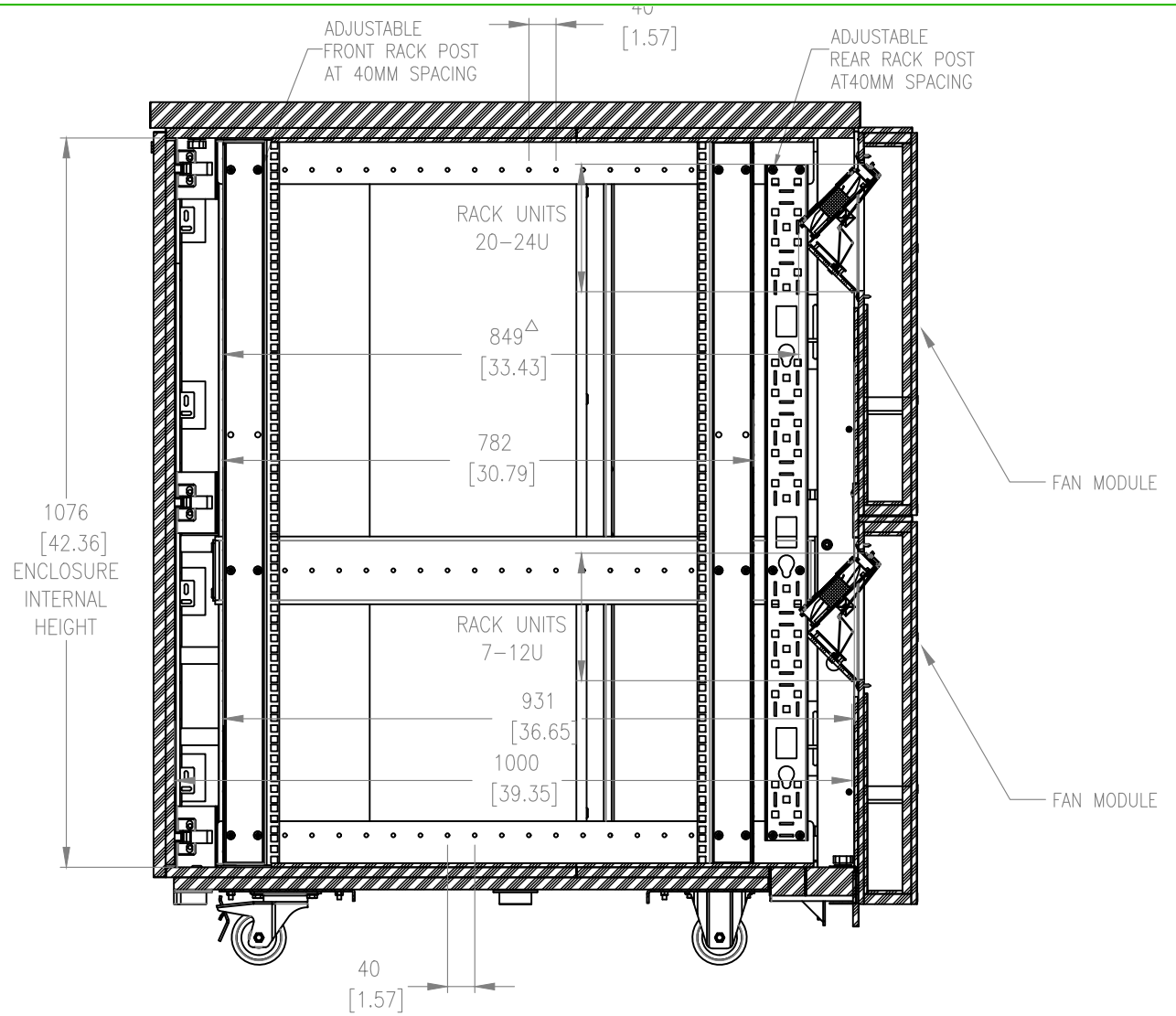
TITLE:
NetShelter CX Shock Pallet Enclosure
24U
750mm WIDEx1130mm DEEP
WITH UNLOADING DETAILS

PROJECT: SUBMITTAL DRAWINGS | SHEET 4 OF 5

DWG NO:	AR4024SP		REV.	1
DRAWN BY:	A.DAVE	10-JAN-18	THIRD	
ENGINEER:	A.DAVE	10-JAN-18	ANGLE	
APPROVED BY:	S.FITTON	10-JAN-18	PROJECTION	



FRONT VIEW



SECTION B-B

△ — DUE TO TRIANGULAR PROTRUSION OF FAN MODULES, INTERNAL CABINET DEPTH REDUCED TO 849mm BETWEEN SPECIFIED RACK UNITS.

NOTES:

1. COMPLY WITH ALL APPLICABLE NATIONAL, STATE AND LOCAL ELECTRICAL REGULATIONS.
2. REFER TO THE PRODUCT DOCUMENTATION FOR ADDITIONAL DETAILS PRIOR TO INSTALLATION AND SITE PREPARATION WORK.
3. ALL DIMENSIONS ARE IN MILLIMETERS [INCHES].

THIS DRAWING AND SPECIFICATIONS HEREIN ARE THE PROPERTY OF SCHNEIDER ELECTRIC AND SHALL NOT BE COPIED, REPRODUCED OR USED IN WHOLE OR IN PART, AS THE BASIS FOR THE MANUFACTURE OR SALE OF ITEMS WITHOUT WRITTEN PERMISSION FROM SCHNEIDER ELECTRIC. THIS DRAWING IS BASED UPON LATEST AVAILABLE INFORMATION AND IS SUBJECT TO CHANGE WITHOUT NOTICE.



TITLE:
NetShelter CX Shock Pallet Enclosure
24U
750mm WIDEx1130mm DEEP
INTERNAL VIEWS

PROJECT: SUBMITTAL DRAWINGS SHEET 5 OF 5

DWG NO: AR4024SP REV. 1

DRAWN BY: A.DAVE 10-JAN-18 THIRD

ENGINEER: A.DAVE 10-JAN-18 ANGLE

APPROVED BY: S.FITTON 10-JAN-18 PROJECTION

SHT	DRAWING NUMBER	REVISION									REVISION DESCRIPTION	REVISION INITIATED BY (ECO/ENGR)	REVISION APPROVED BY
		1	2	3	4	5	6	7	8	9			
1	AR4024SP	X									INITIAL ISSUE	AD	SF
2	AR4024SP	X									INITIAL ISSUE	AD	SF
3	AR4024SP	X									INITIAL ISSUE	AD	SF
4	AR4024SP	X									INITIAL ISSUE	AD	SF
5	AR4024SP	X									INITIAL ISSUE	AD	SF

NOTE:
 △FOR PREVIOUS REVISIONS, CONTACT CAD TEAM.



FILE: AR4024SP_-_NetShelter_CXSP_24U	INITIALLY DRAWN BY: A.DAVE	FILE REV: 1
INITIAL RELEASE: 10-JAN-18	INITIALLY APPROVED BY: S.FITTON	DATE: 10-JAN-18