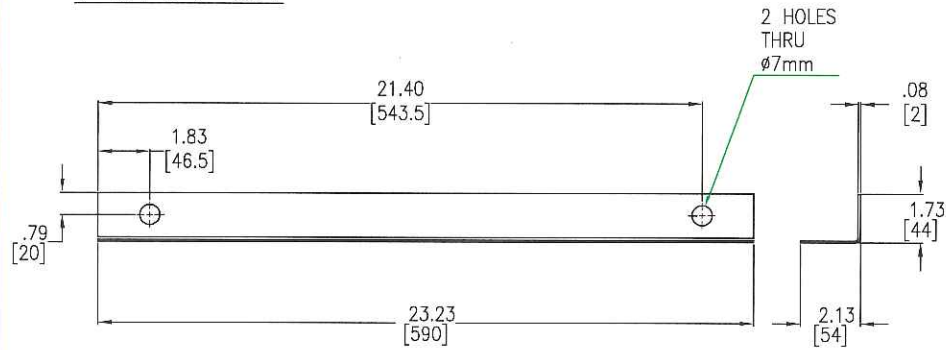


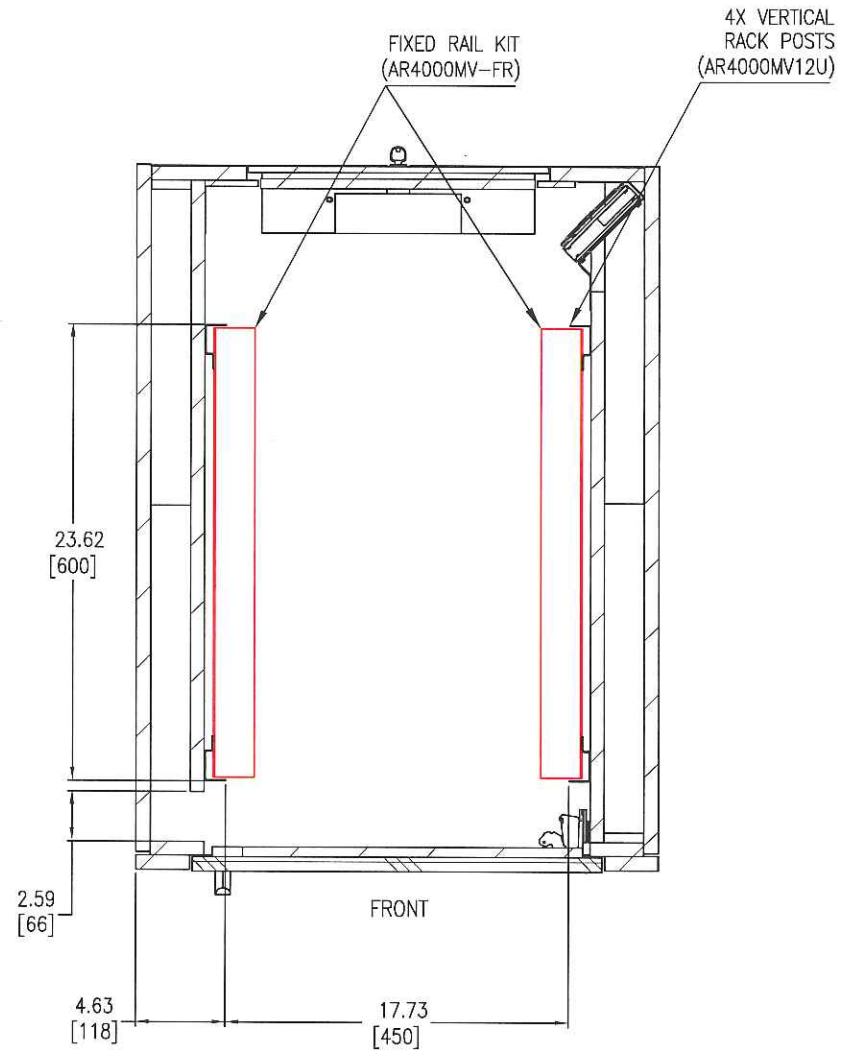
1 KIT : 2-OFF



MATERIAL : 2MM STEEL GRADE DCO1

NOTES: UNLESS OTHERWISE SPECIFIED.

1. INSTALLATION SHALL COMPLY WITH ALL APPLICABLE NATIONAL, STATE AND LOCAL CODES.
2. PLEASE REFER TO PRODUCT MANUALS FOR ADDITIONAL DETAILS.
3. ALL DIMENSIONS ARE IN INCHES [MILLIMETERS].
4. NET WEIGHT OF THE UNIT 1.10 lbs [0.5 kg].
5. COLOR - BLACK FINISH.



INTERNAL-BOTTOM VIEW AR4000MV WITH AR4000MV12U & AR4000MV-FR ASSEMBLED  
(LOOKING FROM TOP)

NB : FOR FURTHER DETAILS ON MAX SERVER LENGTH  
REFER TO AR4000MV SUBMITTAL DRAWING

THIS DRAWING AND SPECIFICATIONS HEREIN ARE THE PROPERTY OF SCHNEIDER ELECTRIC AND SHALL NOT BE COPIED, REPRODUCED OR USED IN WHOLE OR IN PART, AS THE BASIS FOR THE MANUFACTURE OR SALE OF ITEMS WITHOUT WRITTEN PERMISSION FROM SCHNEIDER ELECTRIC. THIS DRAWING IS BASED UPON LATEST AVAILABLE INFORMATION AND IS SUBJECT TO CHANGE WITHOUT NOTICE.



TITLE: NetShelter CX Mini Fixed Rail Kit MAIN MECHANICAL  
PROJECT: SUBMITTAL DRAWINGS SHEET 1 OF 1

DWG NO: AR4000MV-FR  
DRAWN BY: A.DAVE 19-JUN-13  
ENGINEER: S.FITTON 19-JUN-13  
APPROVED BY: D. O'COIMIN 19-JUN-13

REV. 0  
THIRD ANGLE PROJECTION