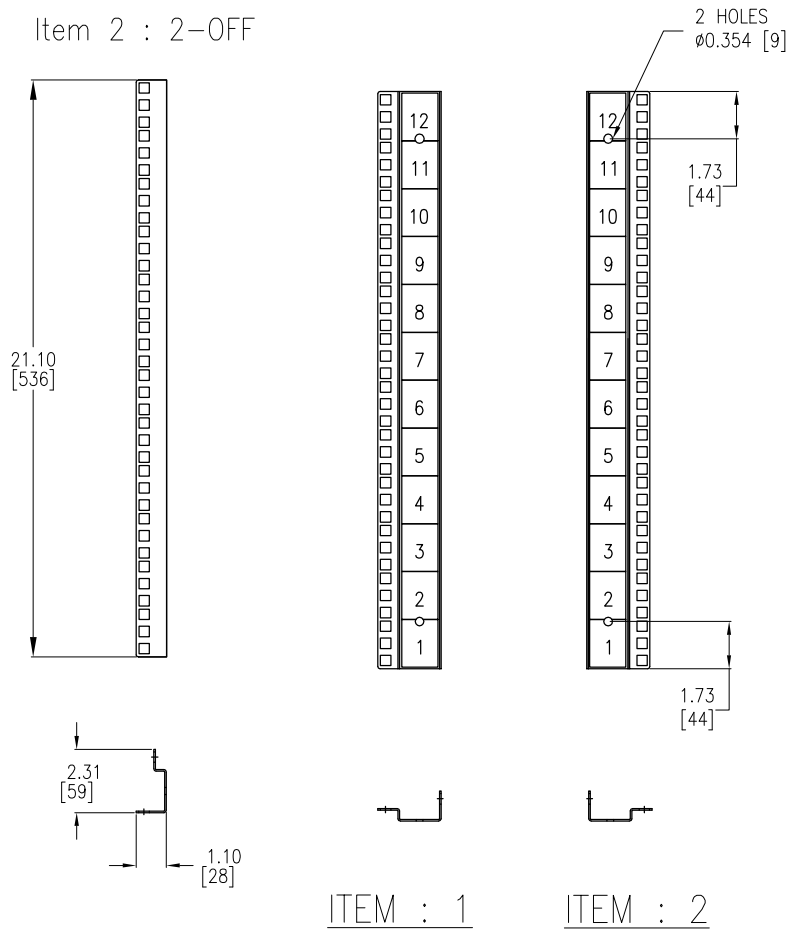


1 KIT :

Item 1 : 2-OFF

Item 2 : 2-OFF

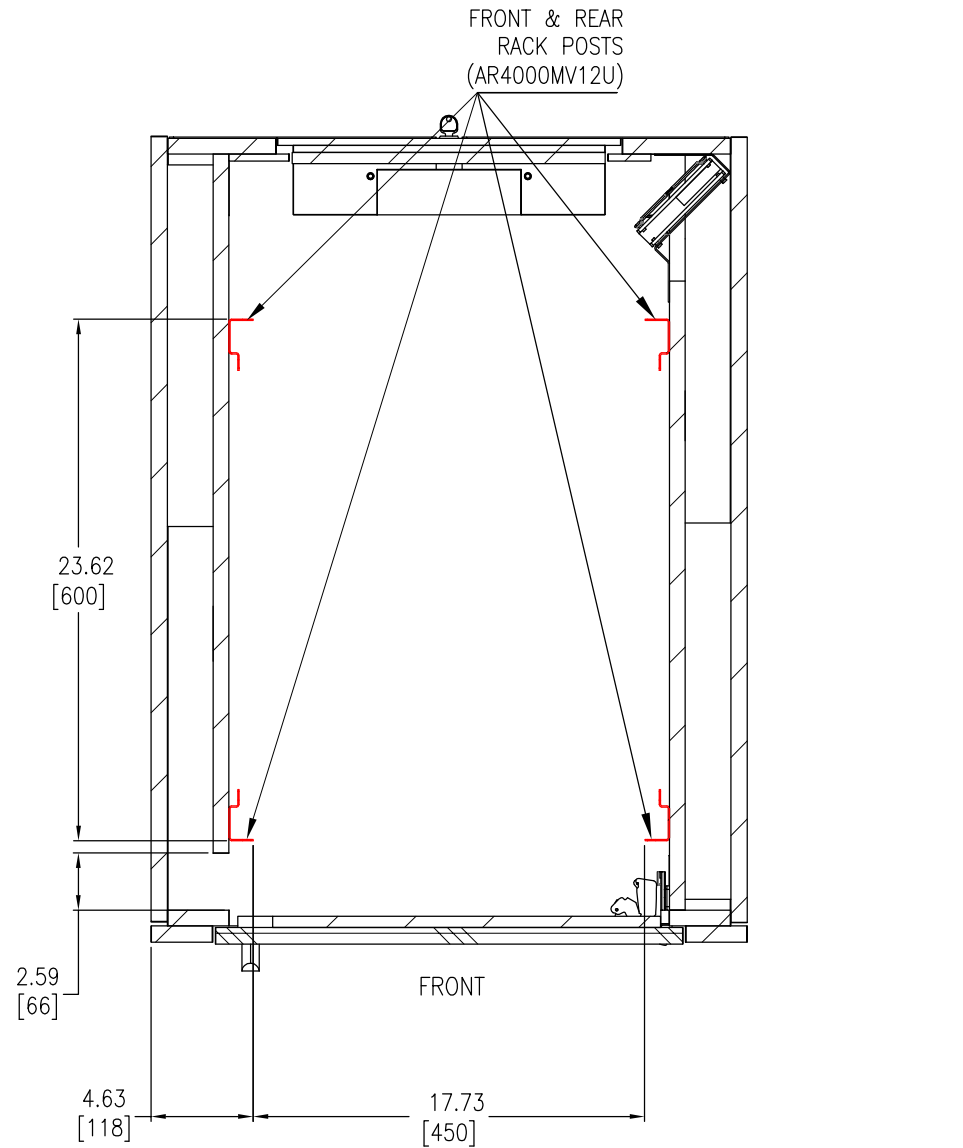


ITEM : 1

ITEM : 2

NOTES: UNLESS OTHERWISE SPECIFIED.

1. INSTALLATION SHALL COMPLY WITH ALL APPLICABLE NATIONAL, STATE AND LOCAL CODES.
2. PLEASE REFER TO PRODUCT MANUALS FOR ADDITIONAL DETAILS.
3. ALL DIMENSIONS ARE IN INCHES [MILLIMETERS].
4. NET WEIGHT OF THE UNIT 2.42 lbs [1.1 kg].
5. COLOR - BLACK FINISH.



INTERNAL-BOTTOM VIEW AR4000MV WITH AR4000MV12U ASSEMBLED  
(LOOKING FROM TOP)

NB : FOR FURTHER DETAILS ON MAX SERVER LENGTH  
REFER TO AR4000MV SUBMITTAL DRAWING

THIS DRAWING AND SPECIFICATIONS HEREIN ARE THE PROPERTY OF SCHNEIDER ELECTRIC AND SHALL NOT BE COPIED, REPRODUCED OR USED IN WHOLE OR IN PART, AS THE BASIS FOR THE MANUFACTURE OR SALE OF ITEMS WITHOUT WRITTEN PERMISSION FROM SCHNEIDER ELECTRIC. THIS DRAWING IS BASED UPON LATEST AVAILABLE INFORMATION AND IS SUBJECT TO CHANGE WITHOUT NOTICE.



TITLE:  
NetShelter CX Mini  
12U Vertical Mounting Rail Kit  
MAIN MECHANICAL

PROJECT: SUBMITTAL DRAWINGS SHEET 1 OF 1

DWG NO:	AR4000MV12U	REV.	0
DRAWN BY:	A.DAVE	10-JUN-13	THIRD
ENGINEER:	S.FITTON	10-JUN-13	ANGLE
APPROVED BY:	D. O'COIMIN	10-JUN-13	PROJECTION

SHT	DRAWING NUMBER	REVISION									REVISION DESCRIPTION	REVISION INITIATED BY (ECO/ENGR)	REVISION APPROVED BY
		1	2	3	4	5	6	7	8	9			
1	AR4000MV12U												

NOTE:  
 △ FOR PREVIOUS REVISIONS,  
 CONTACT CAD TEAM.



FILE: AR4000MV12U_-_Netshelter_CX_12U	INITIALLY DRAWN BY: A.DAVE	FILE REV: 0
INITIAL RELEASE: 10-JUN-13	INITIALLY APPROVED BY: S.FITTON	DATE: 10-JUN-13