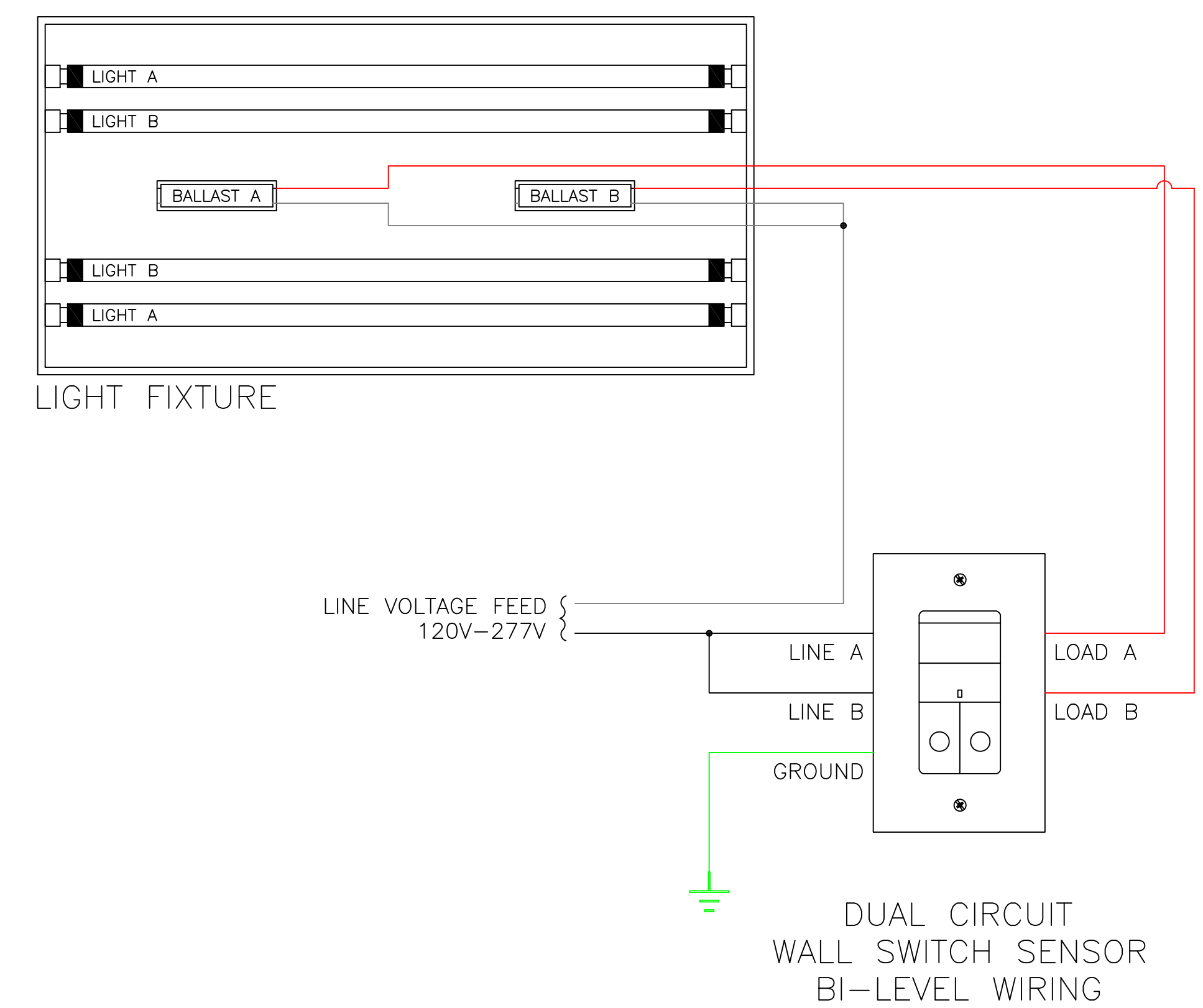
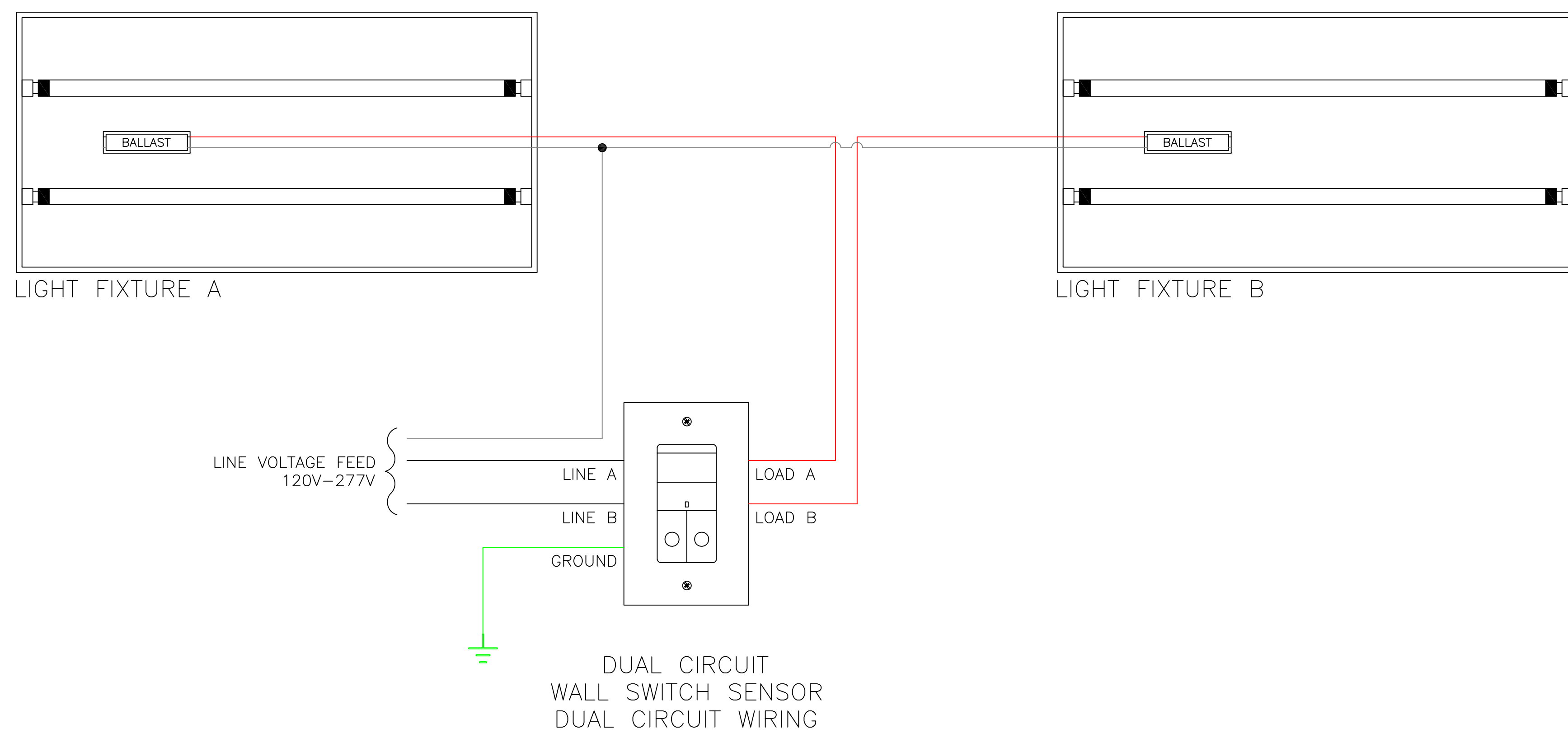


REV	DESCRIPTION	BY	DATE						
-									



A/B SWITCHING USING WALL SWITCH SENSOR
SCALE: NONE

WIRE LEGEND

LINE	_____
NEUTRAL	_____
GROUND	_____
HOT	_____

*FOR TECHNICAL ASSISTANCE CONTACT SCHNEIDER ELECTRIC AT (855) 237-0788
EMAIL: Quotations: Lightingcontrol.quotations@us.schneider-electric.com
Tech Support: Lightingcontrol.support@us.schneider-electric.com

NOTICE:
THIS DOCUMENT DOES NOT TAKE THE PLACE OF THE INSTRUCTION BULLETIN THAT IS PROVIDED WITH THE DEVICE. ANY ADDITIONAL INFORMATION CAN BE FOUND IN THE INSTRUCTION BULLETIN.

CHECKED BY: DENNIS PANZONE
CHECKED DATE: 6-21-2013
PLANT LOCATION: P48 (LIFESPACE - LA VERGNE)
©2013 SCHNEIDER ELECTRIC USA, INC.
ALL RIGHTS RESERVED

DRAWN BY: STEPHEN R. SCHERMERHORN
ENGINEER: -----
DRAW DATE: 6-7-2013

EQUIPMENT DESIGNATION: A/B SWITCHING USING WALL SWITCH SENSOR
EQUIPMENT TYPE: SENSOR
DRAWING TYPE: INSTALLATION DETAIL
Schneider Electric
DWG NO: A-B-SWITCH-WALLSWITCH-SENSOR | PG 1 OF 1 | REV -