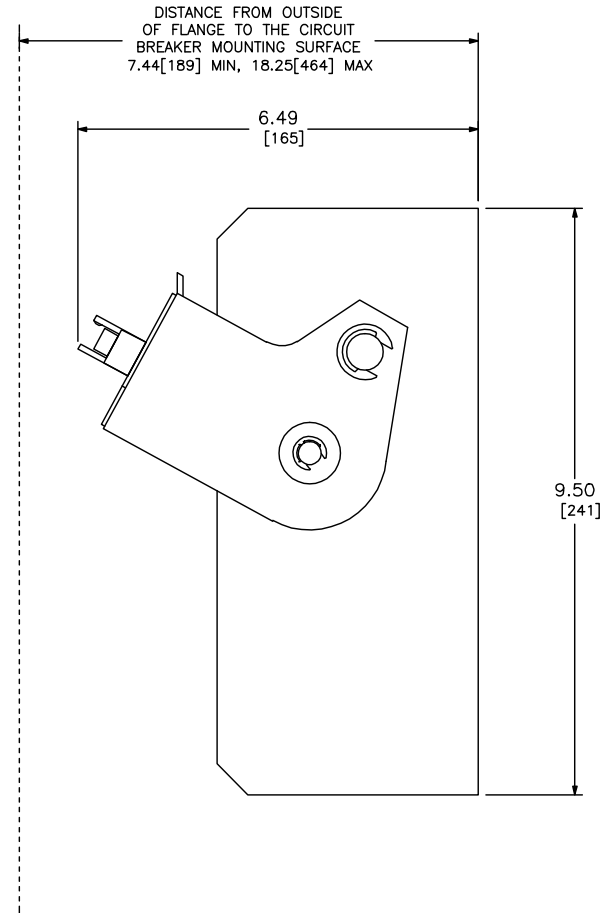


MINIMUM TO WALL OR BARRIER TO INSURE ADEQUATE WIRE BENDING SPACE TO LUG SURFACE WHEN THE MAXIMUM WIRE SIZE IS USED WITH STANDARD LUGS. REF NEC 430-10



CATALOG NUMBER: 9422-RS1
 RATINGS: FOR USE WITH TYPE POWERPACT D FRAME CIRCUIT BREAKERS
 UL FILE/GUIDE: E62922
 CSA FILE/GUIDE: -
 MEETS STANDARDS: -
 WEIGHT: 9.60 LBS
 WIRE SIZE: -
 TERMINAL TORQUE: -
 MOUNTING HWD: (4)-1/4-20 SCREWS

OPERATING MECHANISM FOR USE WITH
 TYPE POWERPACT D FRAME CIRCUIT BREAKERS
 CLASS 9422 TYPE RS1

 SQUARE D
 by Schneider Electric

DWG# 9422_RS_OUTLINE_001
 NO.