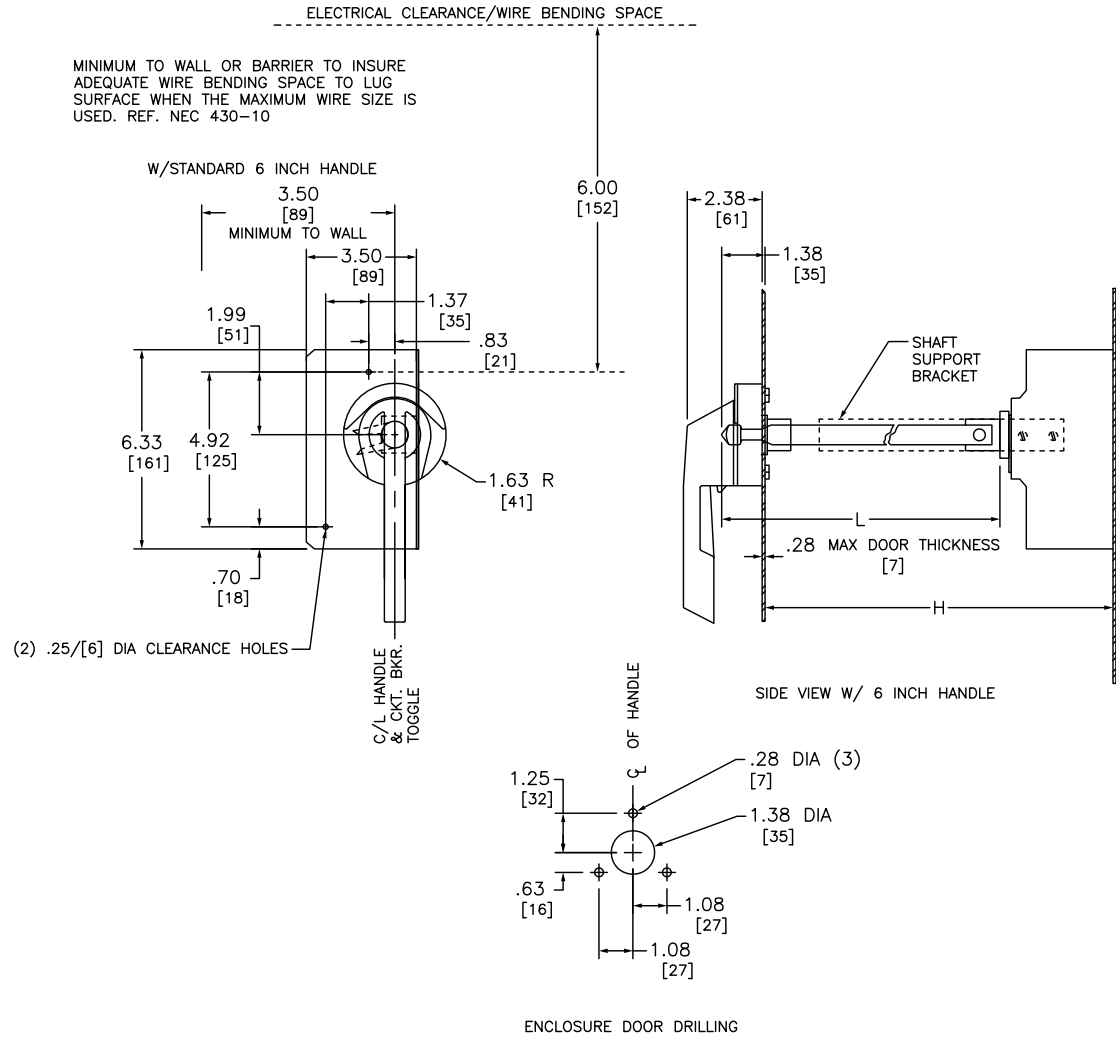


TYPE	HANDLE LENGTH (INCHES)	HANDLE CAT. NUM.	SHAFT TYPE	SHAFT CAT. NUM.
LJ1	6	LH6	STANDARD	LS8
LJ4	6	LH6	LONG	LS13

DIMENSION H W/STANDARD SHAFT		DIMENSION H W/LONG SHAFT	
MIN	MAX	MIN	MAX
5.50/[140]	10.75/[273]	5.50/[140]	21.38/[543]

SHAFT LENGTH FORMULA:  $L=H-3/[76]$   
MOUNTING DEPTH (H): MEASURED FROM THE CIRCUIT BREAKER MOUNTING SURFACE TO THE OUTSIDE OF THE ENCLOSURE DOOR.

IF THE SHAFT LENGTH IS GREATER THAN 10/[254] A SHAFT SUPPORT BRACKET MUST BE USED.



CATALOG NUMBER: 9421-LJ1, LJ4, LJ7  
RATINGS: FOR USE W/POWERPACT H & J 3 POLE CIRCUIT BREAKER  
UL FILE/CCN: E62922/DIHS2  
MEETS STANDARDS: -  
WEIGHT: -  
WIRE SIZE: -  
TERMINAL TORQUE: -  
MOUNTING HWD: (2) M5 x .8 DIA SCREWS

OPERATING MECHANISM  
CLASS 9421  
TYPE LJ1, LJ4, LJ7  
LZ250..., LZL250L...

**SQUARE D**  
Schneider Electric

DWG# 9422 LJ\_OUTLINE\_001  
No.