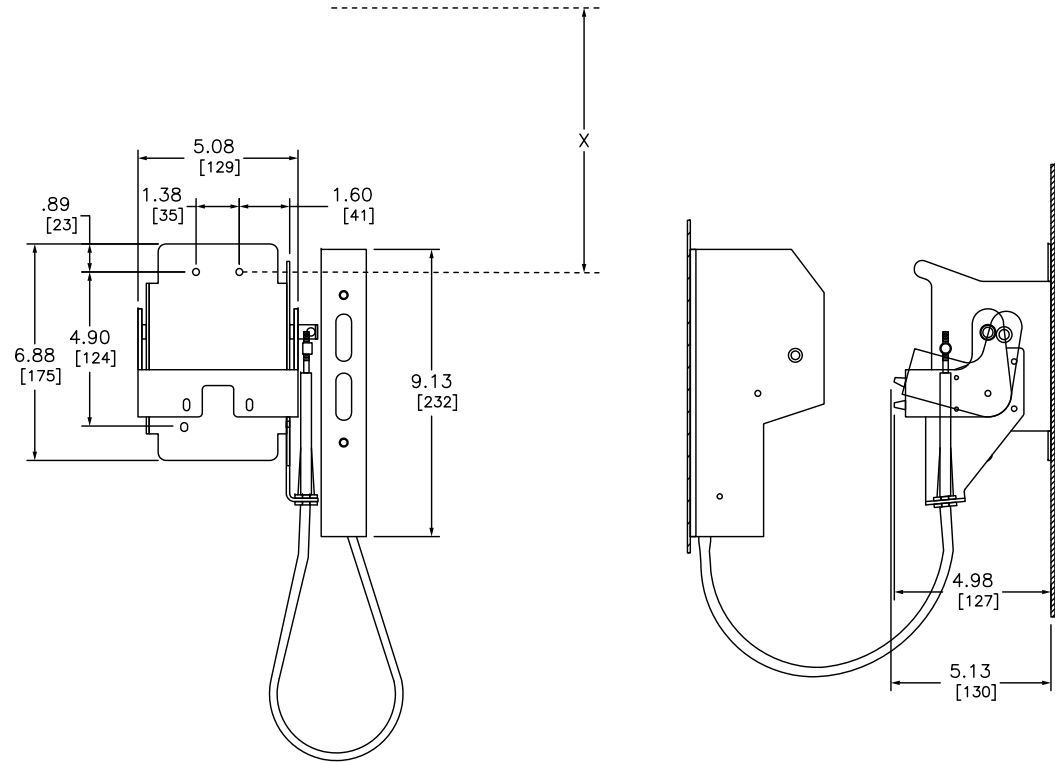


CABLE MECHANISMS FOR USE WITH CLASS 9422
TYPE NSF 3 POLE CIRCUIT BREAKER.

TYPE	CABLE LENGTH	MAXIMUM BOX DEPTH	MAXIMUM DISTANCE FROM TOP RIGHT MOUNTING HOLE TO UPPER MOUNTING HOLE FOR HANDLE OPERATOR (DIM C)	
			MINIMUM C	MAXIMUM C
CSF30	36"	24"	3.50"	7"
CSF50	60"	36"	16"	24"
CSF10	120"	36"	4 FEET	5 FEET

REFER TO NEC ARTICLE 430-10 FOR MINIMUM DIMENSION X FROM CIRCUIT BREAKER TOP MOUNTING HOLE TO WALL OR BARRIER TO ENSURE ADEQUATE WIRE BENDING SPACE.



NOTE: BEND RADIUS IN CABLE MUST NEVER BE LESS THAN 6 INCHES. ELECTRICAL CLEARANCES MUST BE MAINTAINED BETWEEN CABLE AND LIVE ELECTRICAL PARTS.

CATALOG NUMBER: 9422-CSF30, CSF50, CSF10
 RATINGS: -
 UL FILE/GUIDE: E62922/DIHS2
 CSA FILE/GUIDE: -
 MEETS STANDARDS: -
 WEIGHT: 7.0 LBS
 WIRE SIZE: -
 TERMINAL TORQUE: -
 MOUNTING HWD: (2) #8-32 SCREWS

"THE SQUARE D COMPANY HAS PROPRIETARY RIGHTS TO THE INFORMATION CONTAINED HEREON. THIS INFORMATION REMAINS THE PROPERTY OF SQUARE D COMPANY AND MAY BE USED ONLY IN CONFORMANCE WITH INSTRUCTIONS ISSUED BY SQUARE D COMPANY. USER SHOULD VERIFY DRAWINGS ARE TO THE LATEST/CURRENT REVISION PRIOR TO INCORPORATING IN A DESIGN FILE."

DO NOT SCALE DRAWING
UNLESS OTHERWISE SPECIFIED DIMENSIONS ARE IN INCHES

THIRD ANGLE PROJECTION
 TOLERANCES
 UNLESS OTHERWISE SPECIFIED
 2 PLACE DECIMALS ± .01

3 POLE CIRCUIT BREAKER
 CABLE OPERATOR MECHANISM
 CLASS 9422 TYPE CSF30, CSF10 SERIES E

SQUARE D
Schneider Electric

DWG# 9422_CSF_OUTLINE_001 SERIES E
 NO.