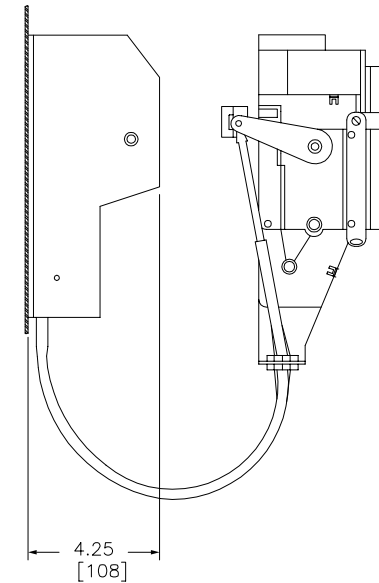
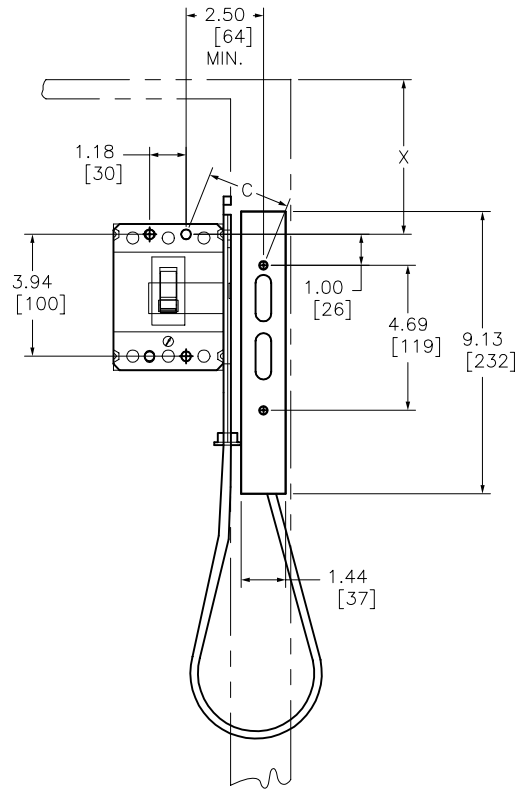


CABLE MECHANISMS FOR USE WITH CLASS 9422
 TYPE GJL 75 AMPERE FRAME CIRCUIT BREAKER.

TYPE	CABLE LENGTH	MAXIMUM BOX DEPTH	MAXIMUM DISTANCE FROM TOP RIGHT MOUNTING HOLE TO UPPER MOUNTING HOLE FOR HANDLE OPERATOR (DIM C)	
			MINIMUM C	MAXIMUM C
CGJ30	36"	24"	2.50 [64]	7.00 [178]
CGJ50	60"	36"	16.00 [406]	24.00 [610]
CGJ10	120"	36"	48.00 [1219]	60.00 [1524]

REFER TO NEC ARTICLE 430-10 FOR MINIMUM DIMENSION X FROM CIRCUIT BREAKER TOP MOUNTING HOLE TO WALL OR BARRIER TO ENSURE ADEQUATE WIRE BENDING SPACE.



NOTE: BEND RADIUS IN CABLE MUST NEVER BE LESS THAN 6 INCHES.
 ELECTRICAL CLEARANCES MUST BE MAINTAINED BETWEEN CABLE AND LIVE ELECTRICAL PARTS.

Catalog Number: 9422-CGJ30, CGJ50, CGJ10
 Ratings: -
 UL File/CCN: E62922/DIHS2
 CSA File/Class: LR4199/321107
 Meets Standards: -
 Weight: 6.5 lbs
 Wire Size: -
 Terminal torque: -
 Mounting Hwd: (4) #8-32 screws

"THE SQUARE D COMPANY HAS PROPRIETARY RIGHTS TO THE INFORMATION CONTAINED HEREON. THIS INFORMATION REMAINS THE PROPERTY OF SQUARE D COMPANY AND MAY BE USED ONLY IN CONFORMANCE WITH INSTRUCTIONS ISSUED BY SQUARE D COMPANY. USER SHOULD VERIFY DRAWINGS ARE TO THE LATEST/CURRENT REVISION PRIOR TO INCORPORATING IN A DESIGN FILE."

DO NOT SCALE DRAWING
 UNLESS OTHERWISE SPECIFIED DIMENSIONS ARE IN INCHES

THIRD ANGLE PROJECTION
 TOLERANCES UNLESS OTHERWISE SPECIFIED 2 PLACE DECIMALS ± .01

CIRCUIT BREAKER CABLE OPERATOR MECHANISM
 CLASS 9422
 TYPE CGJ30, CGJ50, CGJ10

SQUARE D COMPANY

DWG# 9422 CGJ_OUTLINE-001
 NO.