

DISCONNECT SWITCHES AND FUSE TYPES

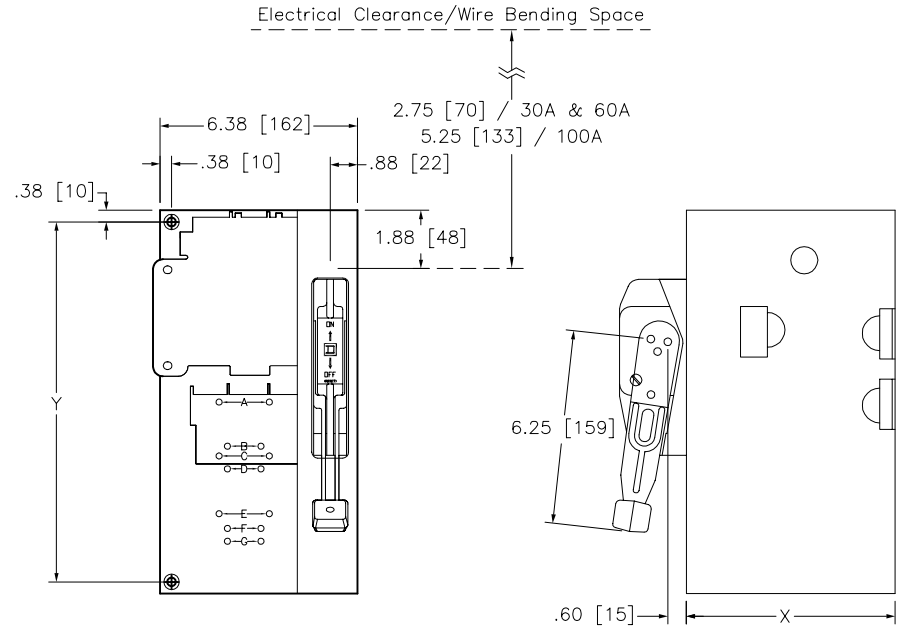
SWITCH TYPE	MAXIMUM VOLTAGE	FUSE TYPE CLASS	CLASS R FUSE KIT	LOAD BASE MOUNTING	DIMENSION X	DIMENSION Y
BTCN30	—	UNFUSED	—	—	6.56	8.75
BTCF30	30A, 250V	H, K, R	RFK03	B	8.56	12.375
BTCF33	30A, 600V	H, K, R	RFK06	F		
	30A, 600V	J	—	B		
	60A, 250V	H, K, R	RFK06	D		
BTDN60	—	UNFUSED	—	—	6.56	8.75
BTDF60	60A, 250V	H, K, R	RFK06	D	8.56	12.375
	30A, 600V	J	—	B		
	30A, 600V	H, K, R	RFK06	F		
BTDF63	60A, 600V	H, K, R	RFK06H	G	8.75	8.75
	60A, 600V	J	—	B		
BTEN10	—	UNFUSED	—	—	8.75	8.75
BTEF10	100A, 250V	H, K, R	RFK10	C	8.56	12.375
	100A, 600V	H, K, R	RFK10	E		
	100A, 600V	J	—	A		

Disconnect Switch Size	Wire Size
30A, 60A	#14-#2 Cu #10-#2 Al
100A	#10-#0 Cu #6-#0 Al

Catalog Number: 9422-BTC(1),BTD(1),BTE(1)
 Ratings: SEE CHART
 UL File/CCN: E52369/WHTY2
 CSA File/Class: LR44199/4652 04
 Meets Standards:
 Weight: 8.7 lbs
 Wire Size: SEE CHART
 Terminal torque: -
 Mounting Hwd: (2) 5/16-18 screws

The disconnect switch selected will be mounted to the bracket from the factory.
 The fuse base is mounted separate to the bracket (from the factory) based upon the switch type used.
 Holes are pre-drilled in the bracket for mounting the fuse base accordingly.

Minimum to wall or barrier to insure adequate wire bending space to lug surface when the maximum wire size is used. REF. NEC 430-10



"THE SQUARE D COMPANY HAS PROPRIETARY RIGHTS TO THE INFORMATION CONTAINED HEREON. THIS INFORMATION REMAINS THE PROPERTY OF SQUARE D COMPANY AND MAY BE USED ONLY IN CONFORMANCE WITH INSTRUCTIONS ISSUED BY SQUARE D COMPANY. USER SHOULD VERIFY DRAWINGS ARE TO THE LATEST/CURRENT REVISION PRIOR TO INCORPORATING IN A DESIGN FILE."

DO NOT SCALE DRAWING
 UNLESS OTHERWISE SPECIFIED DIMENSIONS ARE IN INCHES

THIRD ANGLE PROJECTION
 TOLERANCES
 UNLESS OTHERWISE SPECIFIED
 2 PLACE DECIMALS ± .01

BRACKET MOUNTED DISCONNECT SWITCHES
 CLASS 9422
 TPE BTC(1), BTD(1), BTE(1)

SQUARE D COMPANY

DWG# 9422_BTC+BTD+BTE_OUTLINE_001
 NO.