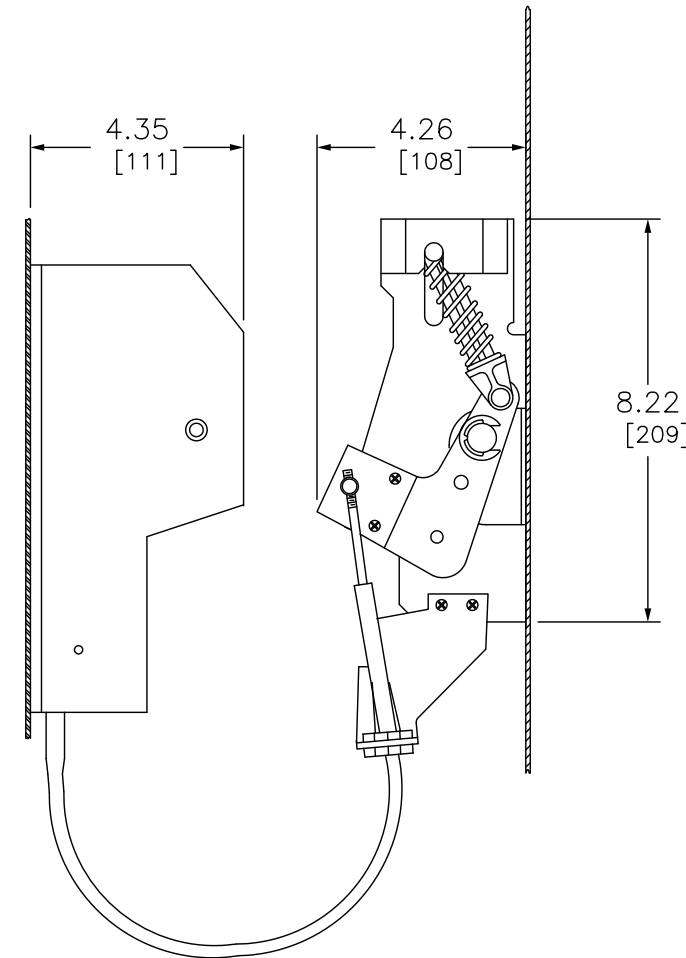
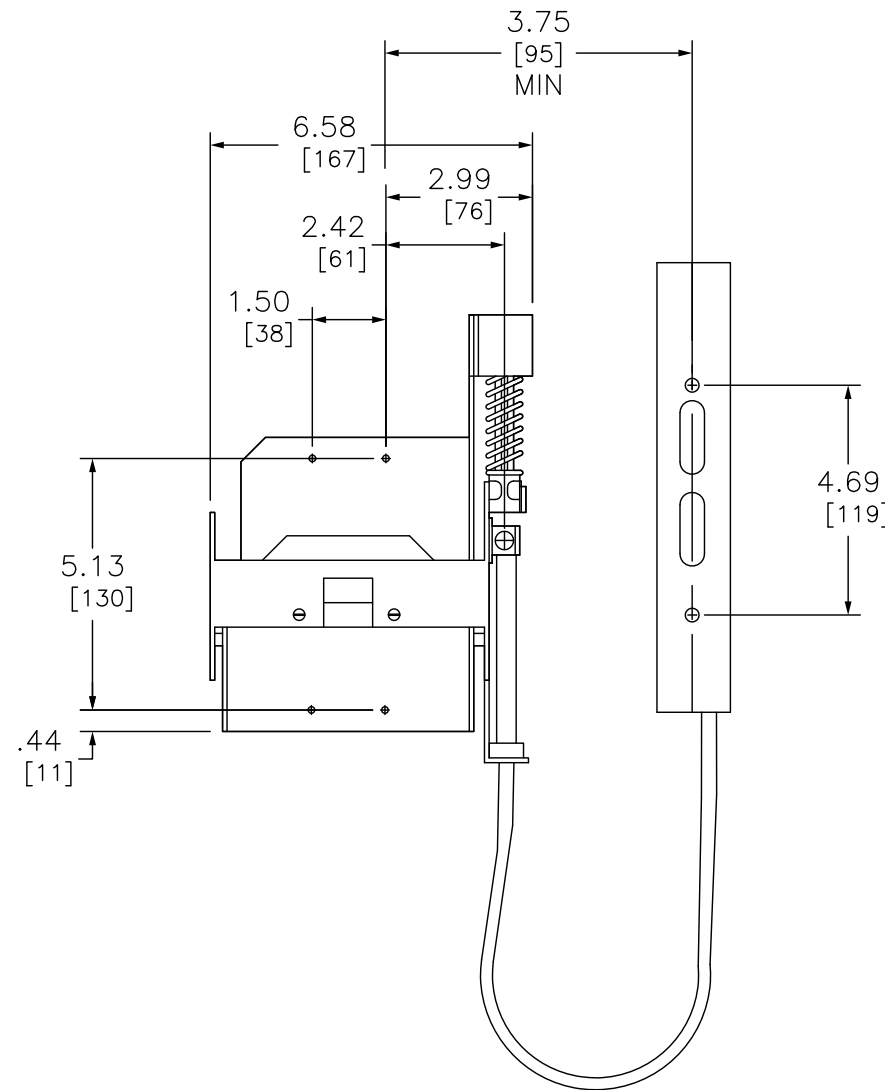


CABLE LENGTH	BOX DEPTH MAX	MAX DISTANCE FROM TOR RIGHT MTG. HOLE TO UPPER MTG HOLE FOR HANDLE OPERATOR
36.00	24.00	7.00/[178]
60.00	36.00	24.00/[610]
120.00	36.00	60.00/[1524]

MINIMUM TO WALL OR BARRIER TO INSURE ADEQUATE WIRE BENDING SPACE TO LUG SURFACE WHEN THE MAXIMUM WIRE SIZE IS USED WITH STANDARD LUGS. REF NEC 430-10



Catalog Number: 9422-CFA30, CFA50, CFA10
 Ratings: for use with FAL, & FHL CIRCUIT BREAKERS
 UL File/Guide: E62922 DIHS2
 CSA File/Guide: N/A
 Meets Standards: —
 Weight: 5.50 lbs.
 Wire Size: —
 Terminal torque: —
 Mounting Hwd.: (4)-#8-32 screws

DUAL DIMENSIONS: INCHES
MILLIMETERS

OPERATING MECHANISM CABLE MECHANISM NEMA



DWG# 9422CFA30
NO.