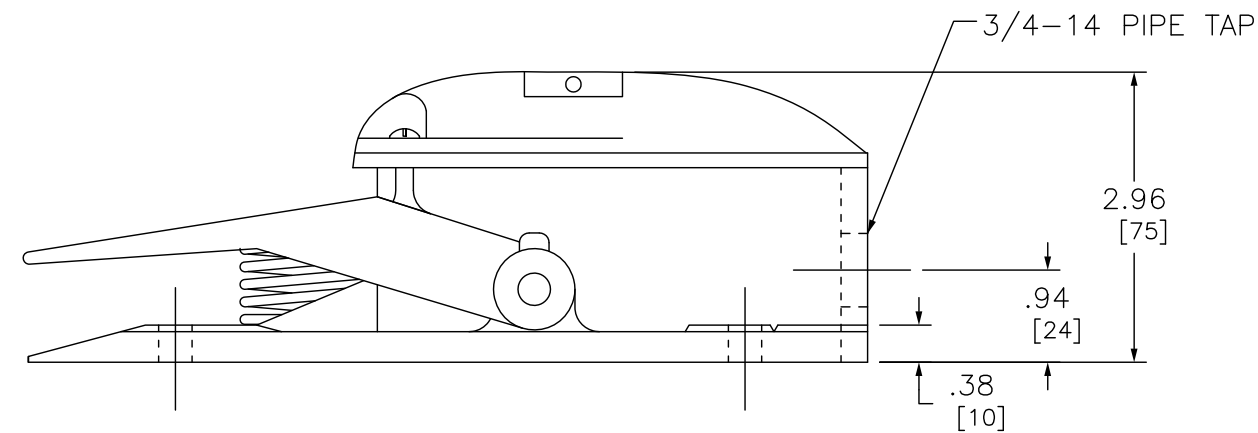
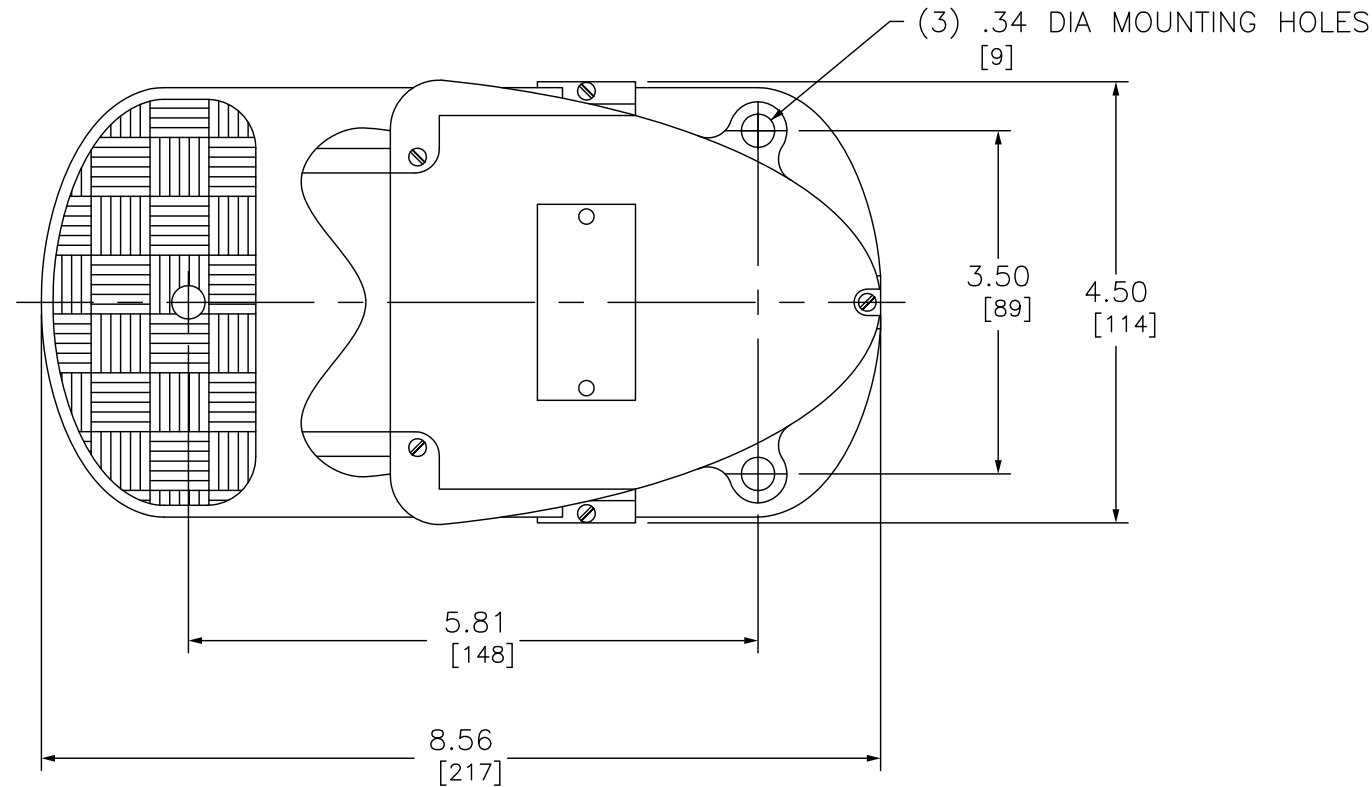


MAXIMUM CURRENT RATING FOR CONTROL CIRCUIT RATINGS

| (1)<br>TYPE | VOLTS | AC AMPERES                       |       |                                    | VOLTS | DC AMPERES                    |                          |            |
|-------------|-------|----------------------------------|-------|------------------------------------|-------|-------------------------------|--------------------------|------------|
|             |       | INDUCTIVE<br>35% POWER<br>FACTOR |       | RESISTIVE<br>75% POWER<br>FACTOR   |       | INDUCTIVE<br>AND<br>RESISTIVE |                          |            |
|             |       | MAKE                             | BREAK | MAKE<br>BREAK<br>AND<br>CONTINUOUS |       | MAKE<br>SINGLE<br>THROW       | BREAK<br>DOUBLE<br>THROW | CONTINUOUS |
| AW-1, AW-5  | 120   | 40                               | 15    | 15                                 | 125   | 2                             | .50                      | 15         |
|             | 240   | 20                               | 10    | 10                                 | 250   | .50                           | .20                      | 15         |
|             | 480   | 10                               | 6     | 6                                  | 600   | .10                           | .02                      | 15         |
|             | 600   | 8                                | 5     | 5                                  | -     | -                             | -                        | -          |
| AW-13       | 120   | 30                               | 3     | 3                                  | 125   | 1                             | .20                      | 10         |
|             | 240   | 15                               | 1.50  | 1.50                               | 250   | .30                           | .10                      | 10         |
|             | 480   | 7.50                             | .75   | .75                                | 600   | .10                           | -                        | 10         |
|             | 600   | 6                                | .60   | .60                                | -     | -                             | -                        | -          |
| AW-11       | 115   | 36                               | 6     | -                                  | 125   | 2.20                          | -                        | -          |
|             | 230   | 18                               | 3     | -                                  | 250   | 1.10                          | -                        | -          |
| AW-21       | 120   | 15                               | 1.50  | 10                                 | -     | -                             | -                        | -          |
|             | 240   | 7.50                             | .75   | 10                                 | -     | -                             | -                        | -          |
|             | 480   | 3.75                             | .38   | 10                                 | -     | -                             | -                        | -          |
|             | 600   | 3.00                             | .30   | 10                                 | -     | -                             | -                        | -          |



Catalog Number: AW-(1)  
 Ratings: SEE CHART  
 UL File/CCN: -  
 CSA File/Class: -  
 Meets Standards: -  
 Weight: -  
 Wire Size: -  
 Terminal torque: -  
 Mounting Hwd.: -

DUAL DIMENSIONS: INCHES  
MILLIMETERS

FOOT SWITCH 600VAC .6AMP + OPTIONS



DWG# 9002AW13  
NO.