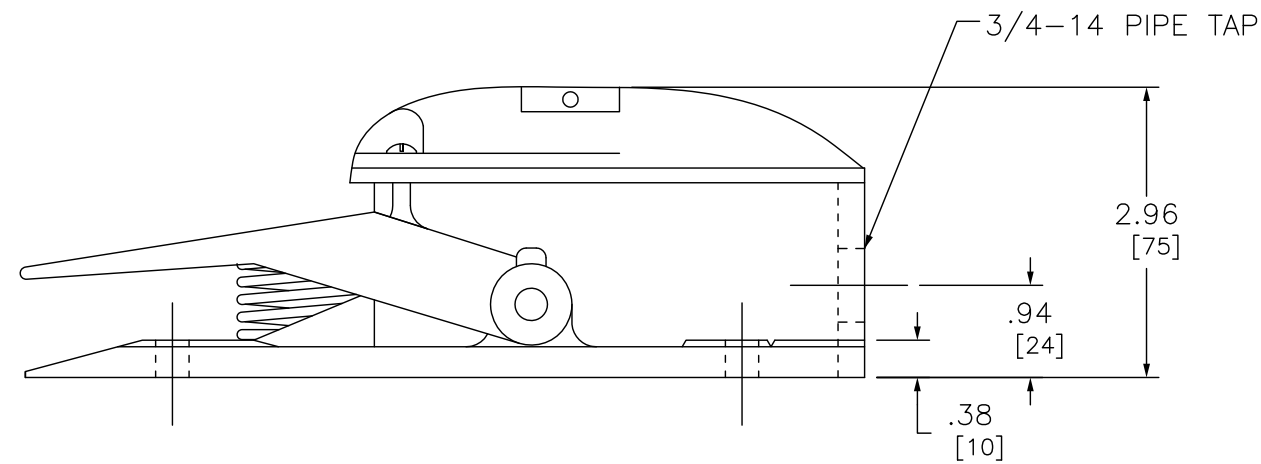
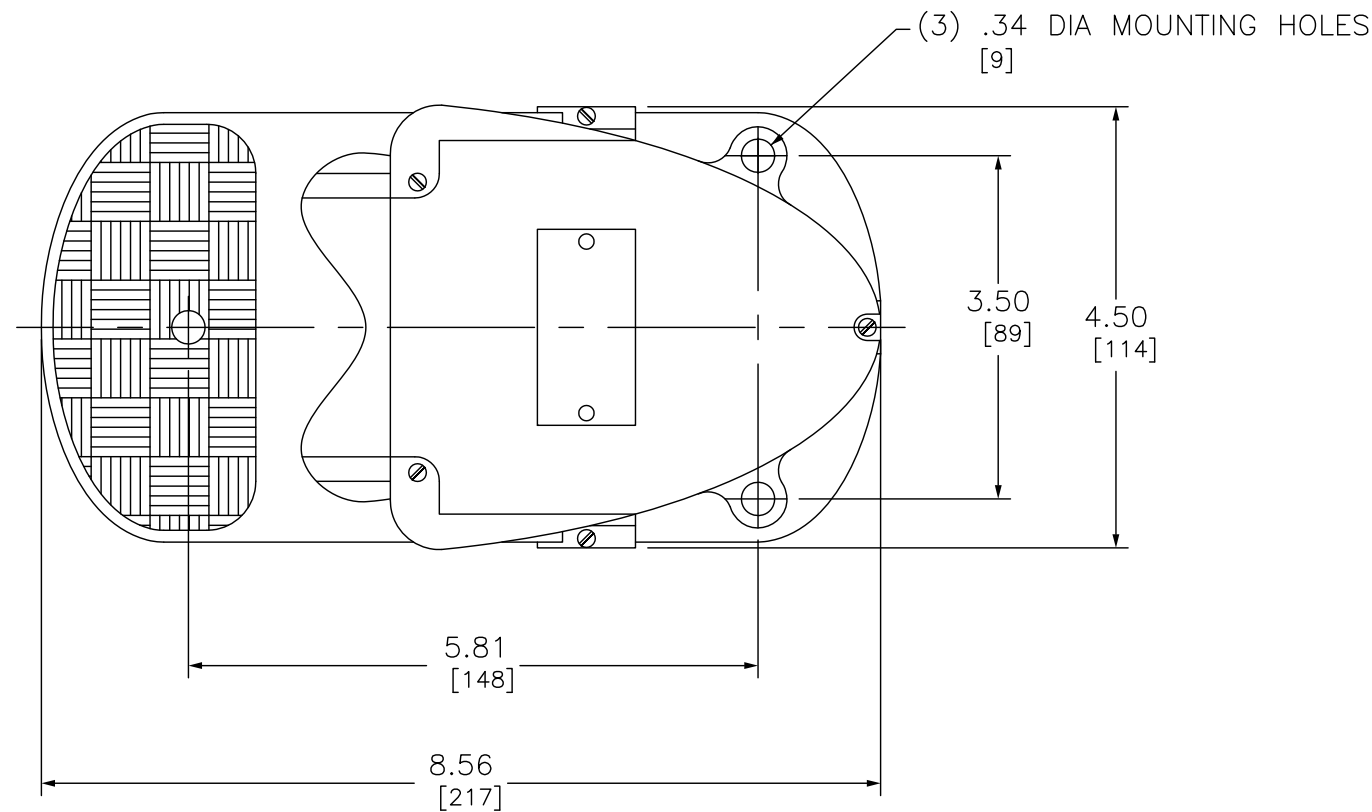


MAXIMUM CURRENT RATING FOR CONTROL CIRCUIT RATINGS

(1) TYPE	VOLTS	AC AMPERES			VOLTS	DC AMPERES		
		INDUCTIVE 35% POWER FACTOR		RESISTIVE 75% POWER FACTOR		INDUCTIVE AND RESISTIVE		
		MAKE	BREAK	MAKE BREAK AND CONTINUOUS		MAKE SINGLE THROW	BREAK DOUBLE THROW	CONTINUOUS
AW-1, AW-5	120	40	15	15	125	2	.50	15
	240	20	10	10	250	.50	.20	15
	480	10	6	6	600	.10	.02	15
	600	8	5	5	-	-	-	-
AW-13	120	30	3	3	125	1	.20	10
	240	15	1.50	1.50	250	.30	.10	10
	480	7.50	.75	.75	600	.10	-	10
	600	6	.60	.60	-	-	-	-
AW-11	115	36	6	-	125	2.20	-	-
	230	18	3	-	250	1.10	-	-
AW-21	120	15	1.50	10	-	-	-	-
	240	7.50	.75	10	-	-	-	-
	480	3.75	.38	10	-	-	-	-
	600	3.00	.30	10	-	-	-	-



Catalog Number: AW-(1)
 Ratings: SEE CHART
 UL File/CCN: -
 CSA File/Class: -
 Meets Standards: -
 Weight: -
 Wire Size: -
 Terminal torque: -
 Mounting Hwd.: -

DUAL DIMENSIONS: INCHES
 MILLIMETERS

FOOT SWITCH 1 POLE WITHOUT COVER



DWG# 9002AW11
 NO.