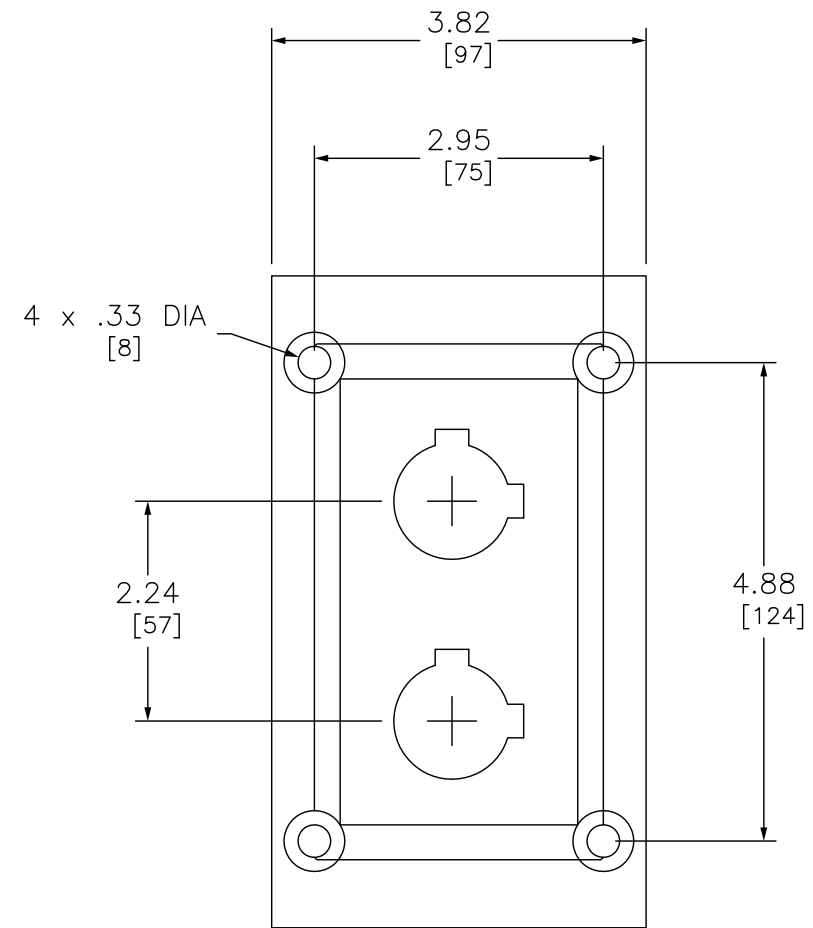


LEFT



FRONT

DUAL DIMENSIONS: INCHES  
MILLIMETERS

CONTROL STATION + OPERATORS

**SQUARE D**™  
by Schneider Electric

DWG# 9001SKY201  
NO.