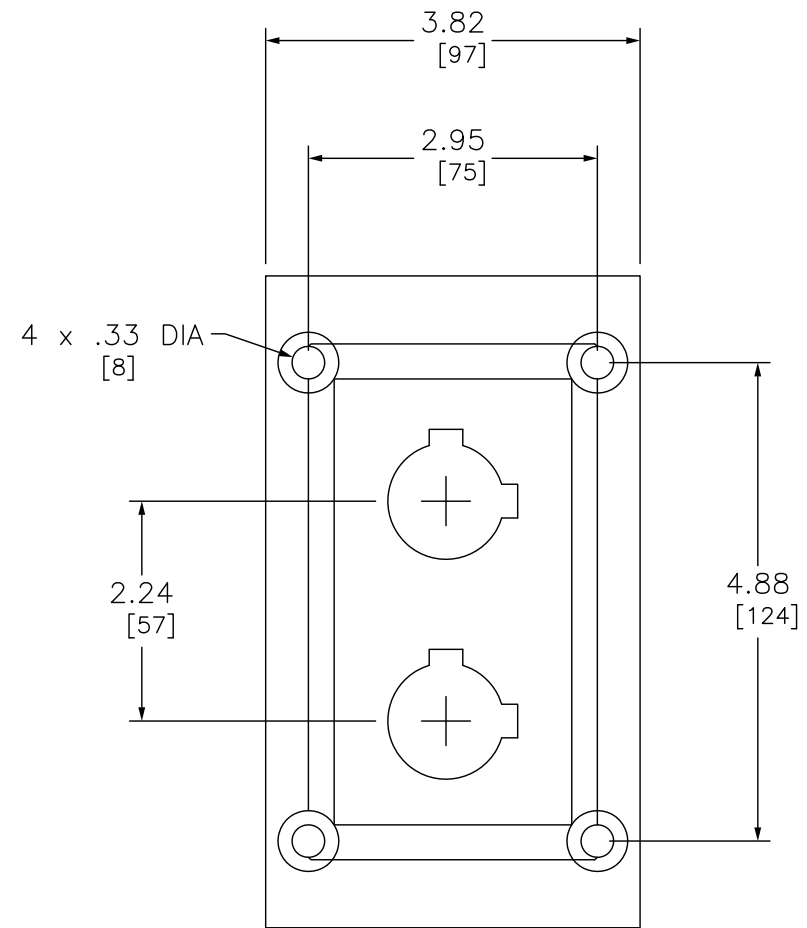


LEFT



FRONT

DUAL DIMENSIONS: INCHES
MILLIMETERS

30MM CONTROL STATION 2 HOLE PLASTIC

SQUARE D[™]
by Schneider Electric

DWG# 9001SKY2
NO.