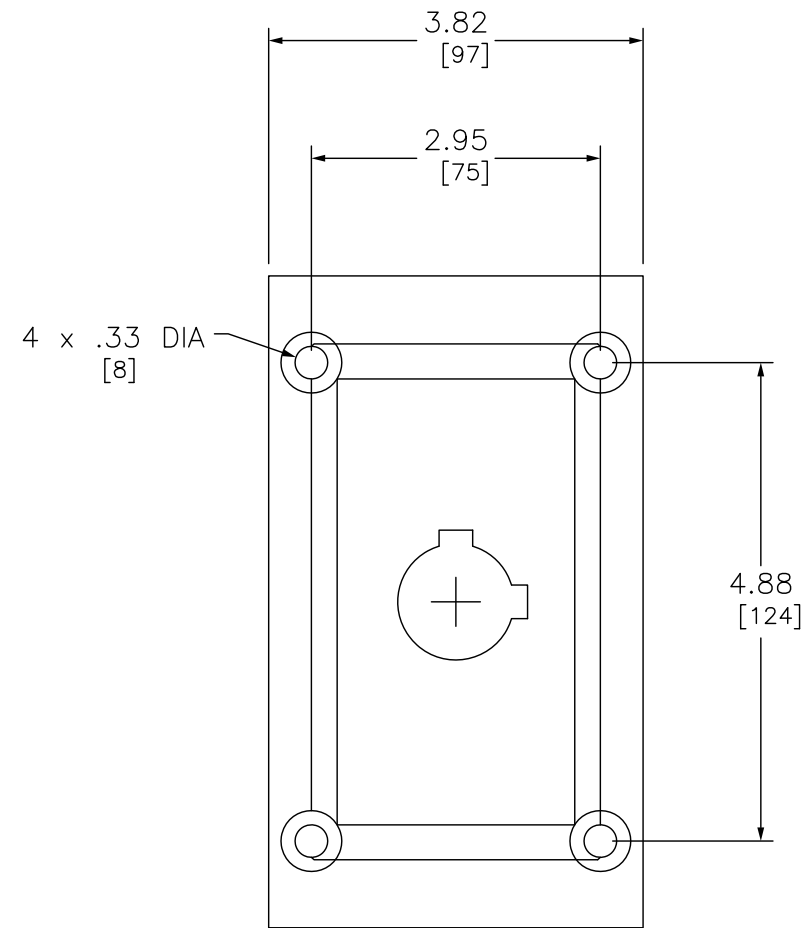


LEFT



FRONT

DUAL DIMENSIONS: INCHES
MILLIMETERS

30MM CONTROL STATION 1 HOLE PLASTIC

SQUARE D™
by Schneider Electric

DWG# 9001SKY1
NO.