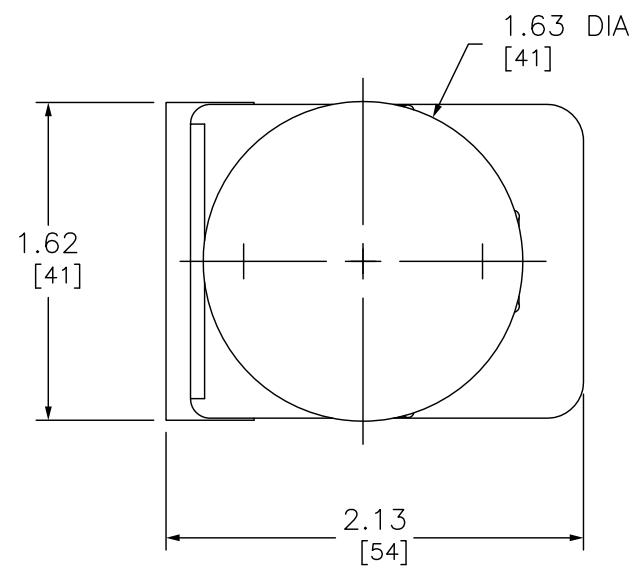
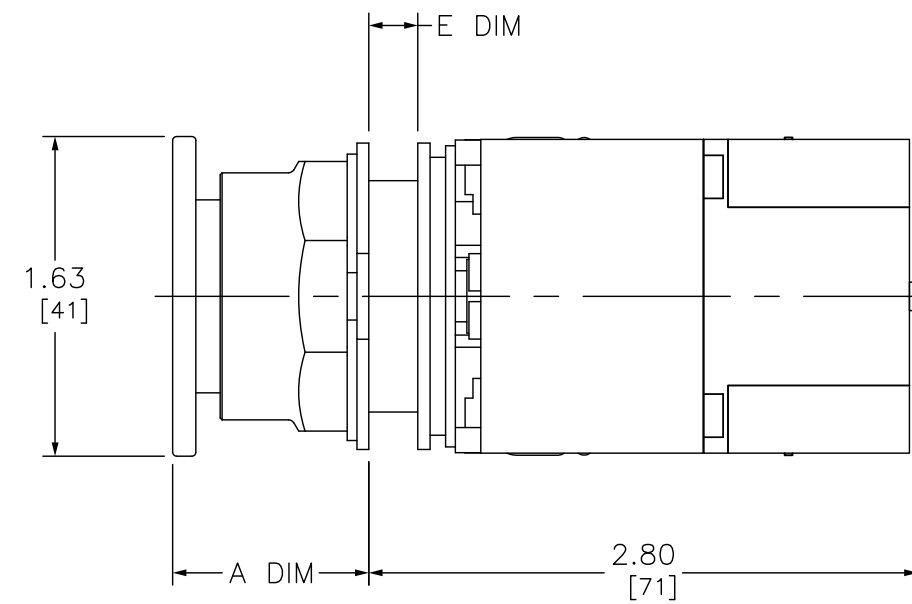


PANEL THICKNESS E DIM		NUMBER OF GASKET
IN	MM	
.06	2	4
.13	3	3
.19	5	2
.25	6	1

A DIM					
DEPRESSED (STOP)		MIDWAY (NEUTRAL)		EXTENDED (START)	
IN	MM	IN	MM	IN	MM
1	25	-	-	1.31	49



FRONT



RIGHT

DUAL DIMENSIONS: INCHES
MILLIMETERS

PUSHBUTTON 120VAC 30MM SK + OPTIONS

SQUARE D[™]
by Schneider Electric

DWG# 9001SKR9P1RH13
NO.