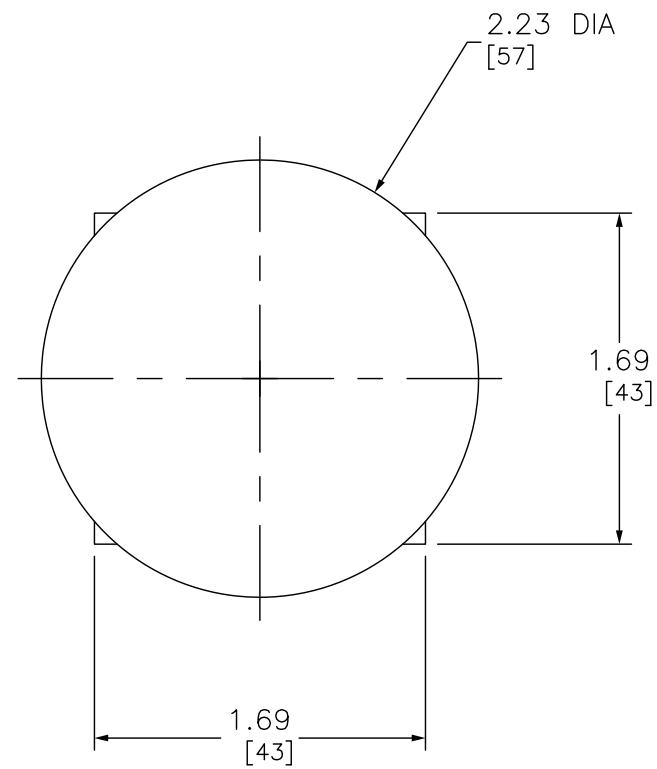
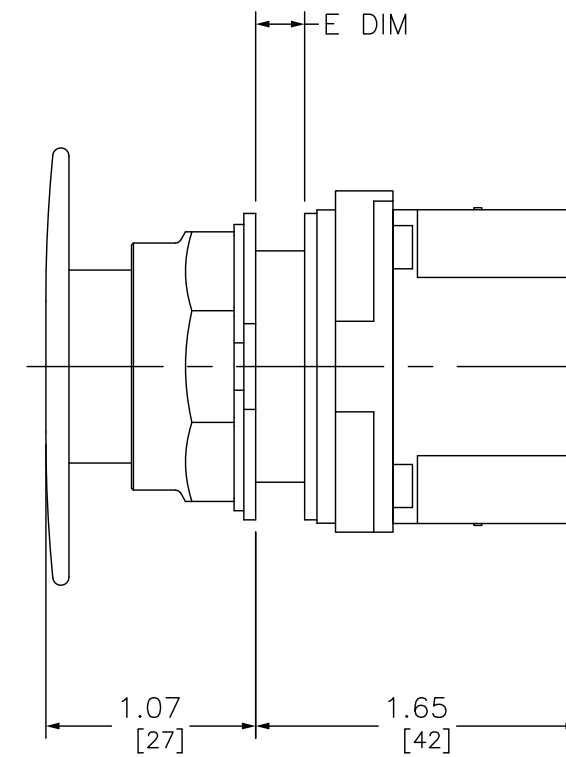


PANEL THICKNESS E DIM		NUMBER OF GASKET
IN	MM	
.06	2	4
.13	3	3
.19	5	2
.25	6	1



FRONT



RIGHT

DUAL DIMENSIONS: INCHES
MILLIMETERS

PUSHBUTTON 600VAC 10AMP 30MM SK + OPTIONS



DWG# 9001SKR5R05H13
NO.